

# Specifications

## AC Axial Fan

Model : YWF4E-250

Type : B-E5Z

Coding : E04020101

Version: V1.0

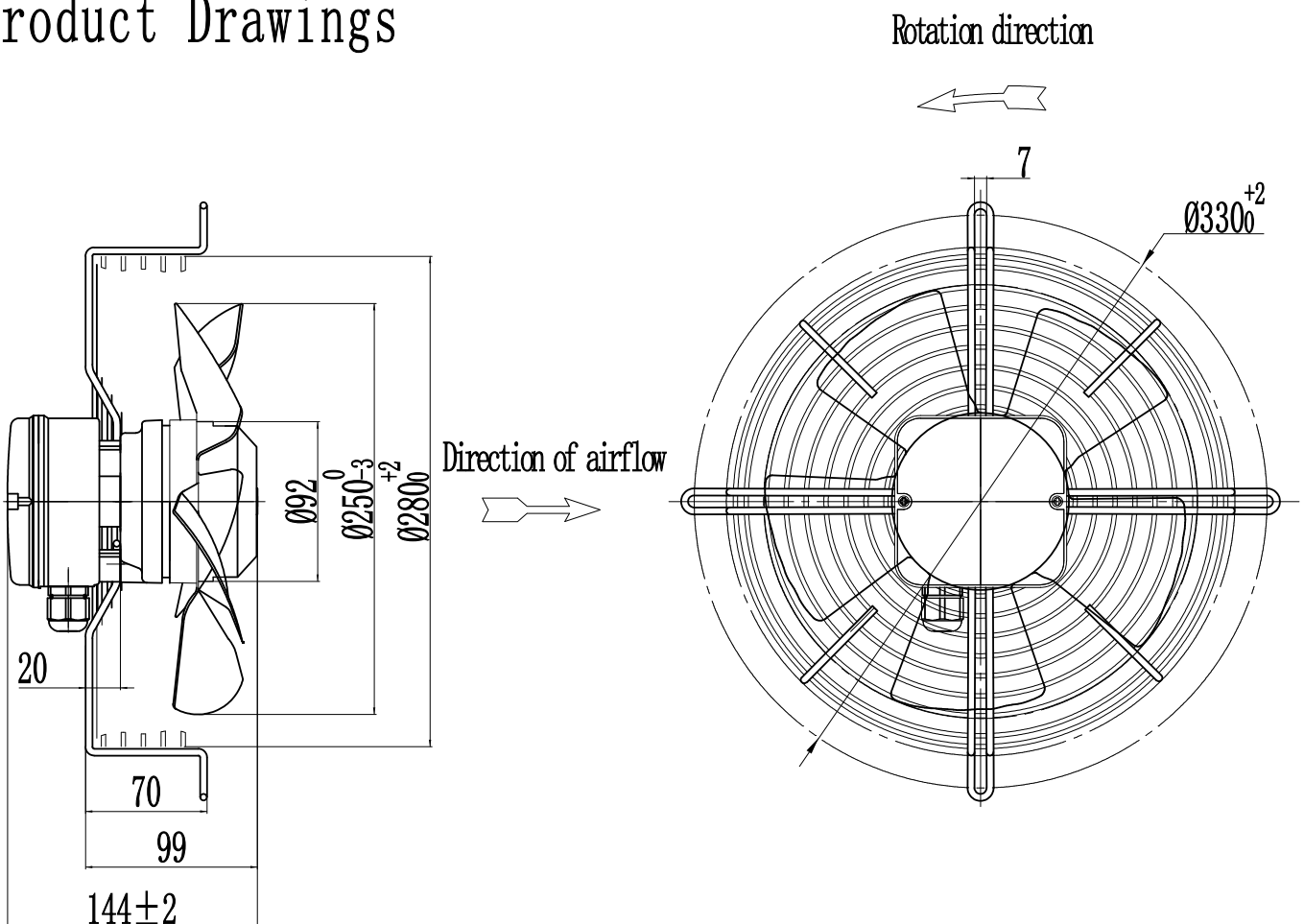
Date : 2021.10.28

Version	Status	Version update instructions	Date	DRN BY	CHK BY
V1.0	Effective	Initial release	2021-10-28	JX. Chen	XQ. Chen

## Standards

- GB12350 《Safety Requirments of small Power motors》
- EN60335-1 《Safety Requirments of Household of Similar Electrical Appliances》
- The level of balance is in accordance with ISO 1940, G4.0
- Vibration testing and velocity is performed according to JB/T8689.
- This product is certified by China CCC and EU CE
- ISO 9001 quality system certification
- Standard of noise test:ISO 13347 《Determination of fan sound power levels under standardized laboratory conditions》
- The fan performance data is accurate and reliable, conforming to GB/T1236-2017 and 《Industrial fans-performance testing using standardize dairways》 in ISO5801-2007 standards.

## Product Drawings



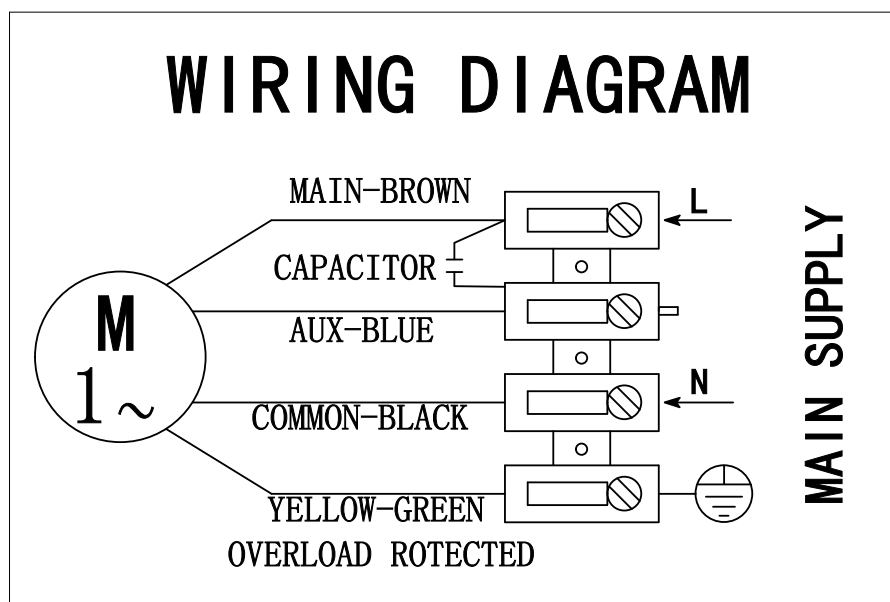
## Technical Parameters

Power supply	Phase	1
Frequency	HZ	50
Wiring		-
Capacitance	$\mu$ F	1.5
Input Voltage	V	230
Input Current	A	0.23
Input Power	W	50
Rated Speed	r/min	1430
Fan Noise	dB(A)	55
Fan Steering		Clockwise(From the motor)
Fan Life	h	40000
Fan Weight	kg	2.7
Protection Level		IP54
Insulation Class		F
Balance Level		G4.0
Ambient Temperature	℃	-40~+60
Environment Humidity		≤90%RH
Impeller Material		Metal
Spray Color		-
Operating Status		S1

# Label

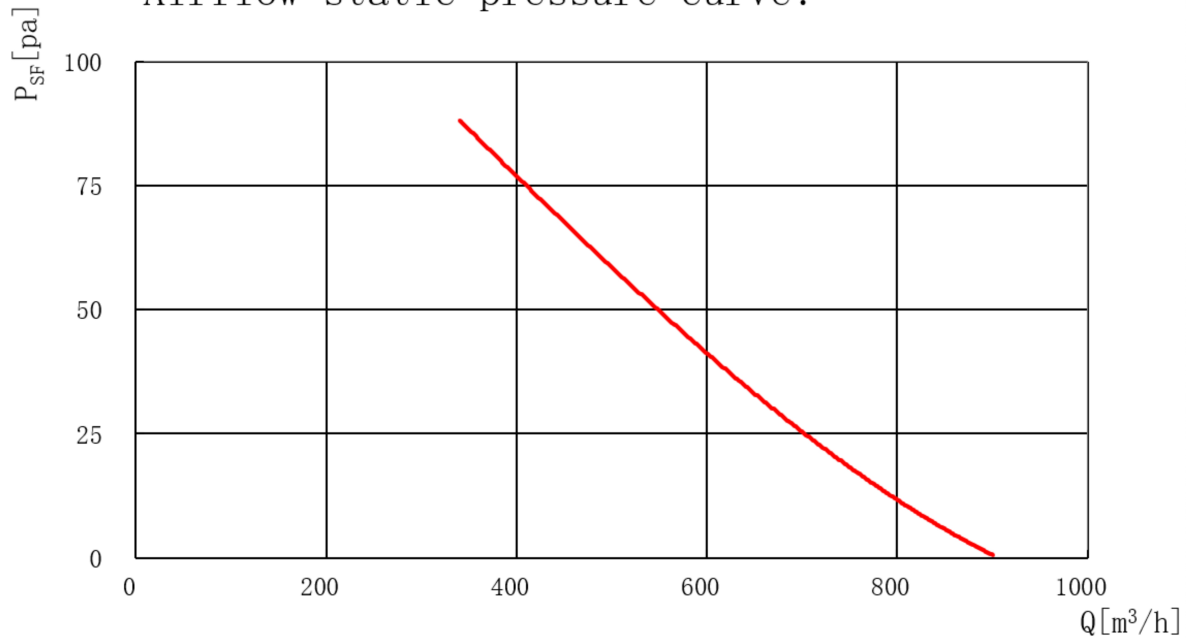
<b>VENTILATOR</b> <b>Dayoung</b>	External Rotor Axial Fan				<b>CE</b> <b>EAC</b>
YWF4E-250	B-E5Z	E04020101			
230V	50Hz	0.23A	50W	1.5 $\mu$ F/450V	
1430r/min	900m <sup>3</sup> /h	60Pa	CL.F	Date:2021.XX	

# Product wiring diagram



## Product Performance

Airflow-static pressure curve:



St. P.	Air Flow	Speed	Voltage	Freq.	Current	Power
Pa	m3/h	RPM	V	Hz	Amp	W
0	900	1445	230	50	0.22	47
8	830	1440	230	50	0.22	48
15	780	1438	230	50	0.23	49
23	730	1434	230	50	0.23	49
29	680	1435	230	50	0.23	49
33	630	1436	230	50	0.23	49
43	580	1437	230	50	0.23	49
60	500	1430	230	50	0.23	50
75	420	1402	230	50	0.25	52
87	340	1390	230	50	0.25	54