

Technical Data Sheet

Compressor model **GL70ANa**
 Voltage **200-220/220-230V 50/60Hz ~1**
 Refrigerant **R134a**

APPLICATION

Application Low Back Pressure
 Refrigerant R134a
 Evaporating Temp. -35,0 °C to -10,0 °C
 Expansion Capillar
 Comp. Cooling Static
 Max. ambient temp. 43,0 °C
 Compatible refriger. R1234yf

COMPRESSOR

Displacement 6,65 cm³
 Diameter 22,00 mm
 Stroke 17,47 mm
 Net Weight 9,49 Kg
 Oil type ISO VG 32 ESTER
 Oil charge 340 cm³

MOTOR

Nominal Power 1/5 hp
 Voltage/Frequency 200-220V 50Hz
 Voltage range 170-242 V
 Type RSIR
 Phase number 1 PH
 Locked Rotor Amps (LRA) 15,00 A
 Max. Cont. Current (MCC) 2,50 A
 Main W. resist. at 25°C 10,20 Ω
 Start W. resist. at 25°C 14,10 Ω

NOMINAL PERFORMANCE

	ASHRAE	CECOMAF
Cooling Capacity	151 kCal/h	129 W
COP	1,08 W/W	0,83 W/W
EER	0,93 kCal/Wh	0,72 kCal/Wh
Input Power	162 W	156 W
Current	1,50 A	1,49 A

APPROVALS

TEST CYCLE CONDITIONS

	ASHRAE LBP (B)	CECOMAF LBP (A)
Evaporating temp. (T _e)	-23,3 °C	-25,0 °C
Condensing temp. (T _c)	55,0 °C	55,0 °C
Liquid temp. (T _{liq.})	32,0 °C	55,0 °C
Ambient temp. (T _{amb.})	32,0 °C	32,0 °C
Suction temp. (T _{suction})	32,0 °C	32,0 °C
Voltage/Frequency	220 V 50 Hz	220 V 50 Hz

ELECTRICAL COMPONENTS

Relay				
Reference				
Voltage				
Resistance				
Protector	Option 1	Option 2	Option 3	
Reference	T0490	AE11FQ	4TM414NFBYY	
Current	9,40 A	10,80 A	13,00 A	
Time check	7,5-14 seg	7,5-14 seg	5-15 seg	
Disc temp. (Open/Close)	130,00 / 62,00 °C	125,00 / 62,00 °C	120,00 / 61,00 °C	

ASHRAE

Tc °C	Te °C	Cooling Capacity kCal/h	Consumption W	Current A	COP W/W	EER kCal/Wh
40	-35	88	123	1,43	0,83	0,72
40	-30	117	135	1,45	1,01	0,87
40	-25	155	149	1,47	1,20	1,04
40	-23,3	169	154	1,48	1,27	1,10
40	-20	201	165	1,51	1,41	1,21
40	-15	255	183	1,55	1,62	1,40
40	-10	318	202	1,61	1,83	1,57

45	-35	83	123	1,43	0,79	0,68
45	-30	112	137	1,45	0,95	0,82
45	-25	149	151	1,48	1,14	0,98
45	-23,3	163	157	1,49	1,21	1,04
45	-20	194	168	1,51	1,34	1,15
45	-15	248	187	1,56	1,54	1,33
45	-10	310	207	1,63	1,74	1,50

50	-35	79	124	1,43	0,74	0,64
50	-30	106	138	1,45	0,90	0,77
50	-25	143	154	1,48	1,08	0,93
50	-23,3	157	159	1,49	1,15	0,98
50	-20	188	171	1,52	1,27	1,09
50	-15	241	191	1,58	1,47	1,26
50	-10	303	212	1,64	1,66	1,43

55	-35	74	124	1,43	0,69	0,60
55	-30	101	139	1,45	0,85	0,73
55	-25	137	156	1,49	1,02	0,88
55	-23,3	151	162	1,50	1,08	0,93
55	-20	181	174	1,53	1,21	1,04
55	-15	234	195	1,59	1,40	1,20
55	-10	295	217	1,66	1,58	1,36

60	-35	69	124	1,43	0,65	0,56
60	-30	96	140	1,46	0,80	0,68
60	-25	131	158	1,49	0,96	0,83
60	-23,3	145	165	1,51	1,02	0,88
60	-20	175	178	1,54	1,14	0,98
60	-15	227	199	1,60	1,33	1,14
60	-10	287	222	1,68	1,51	1,29

65	-35	65	125	1,43	0,60	0,52
65	-30	91	142	1,46	0,74	0,64
65	-25	125	160	1,50	0,91	0,78
65	-23,3	139	167	1,51	0,97	0,83
65	-20	168	181	1,55	1,08	0,93
65	-15	220	203	1,61	1,26	1,08
65	-10	280	227	1,70	1,43	1,23

CECOMAF

Tc °C	Te °C	Cooling Capacity W	Consumption W	Current A	COP W/W	EER kCal/Wh
40	-35	96	123	1,43	0,78	0,67
40	-30	130	135	1,45	0,96	0,83
40	-25	172	149	1,47	1,15	1,00
40	-23,3	188	154	1,48	1,22	1,05
40	-20	222	165	1,51	1,35	1,16
40	-15	280	183	1,55	1,53	1,33
40	-10	346	202	1,61	1,71	1,48

45	-35	87	123	1,43	0,71	0,61
45	-30	119	137	1,45	0,87	0,75
45	-25	158	151	1,48	1,04	0,90
45	-23,3	173	157	1,49	1,10	0,95
45	-20	205	168	1,51	1,22	1,05
45	-15	260	187	1,56	1,39	1,20
45	-10	323	207	1,63	1,56	1,35

50	-35	79	124	1,43	0,64	0,55
50	-30	107	138	1,45	0,78	0,67
50	-25	144	154	1,48	0,93	0,81
50	-23,3	158	159	1,49	0,99	0,86
50	-20	188	171	1,52	1,10	0,95
50	-15	240	191	1,58	1,26	1,09
50	-10	301	212	1,64	1,42	1,23

55	-35	70	124	1,43	0,56	0,49
55	-30	96	139	1,45	0,69	0,59
55	-25	129	156	1,49	0,83	0,72
55	-23,3	143	162	1,50	0,88	0,76
55	-20	171	174	1,53	0,98	0,85
55	-15	221	195	1,59	1,13	0,98
55	-10	278	217	1,66	1,28	1,11

60	-35	61	124	1,43	0,49	0,43
60	-30	84	140	1,46	0,60	0,52
60	-25	115	158	1,49	0,73	0,63
60	-23,3	127	165	1,51	0,77	0,67
60	-20	154	178	1,54	0,87	0,75
60	-15	201	199	1,60	1,01	0,87
60	-10	255	222	1,68	1,15	0,99

65	-35	53	125	1,43	0,42	0,37
65	-30	73	142	1,46	0,51	0,44
65	-25	101	160	1,50	0,63	0,54
65	-23,3	112	167	1,51	0,67	0,58
65	-20	137	181	1,55	0,76	0,65
65	-15	181	203	1,61	0,89	0,77
65	-10	233	227	1,70	1,03	0,89

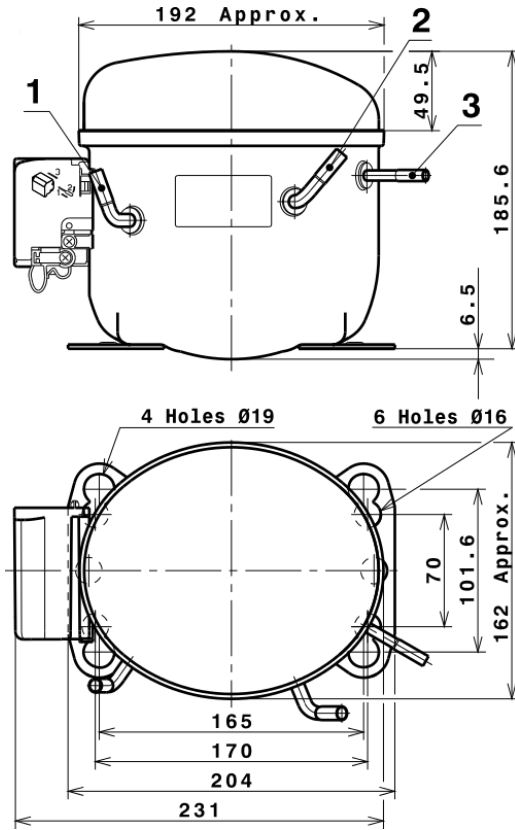
EN12900

X	Cooling Capacity (W)	Consumption (W)	Current (A)	Mass Flow (kg/h)
1	725,9732890492	195,9918737517	1,5942170833	12,948201657299
2	21,5041353908	3,3817992727	0,0137409605	0,43304109904658
3	-5,8076907595	1,4062145881	0,0049529037	-0,042458688078439
4	0,1554456179	0,0369730154	0,0002572207	0,0041985473919566
5	-0,1162413892	0,0382318399	0,0001386794	-0,00058839019268252

Equation	$x_1 + x_2Te + x_3Tc + x_4Te^2 + x_5TeTc$
----------	---

Technical Data Sheet

COMPRESSOR DIMENSIONS

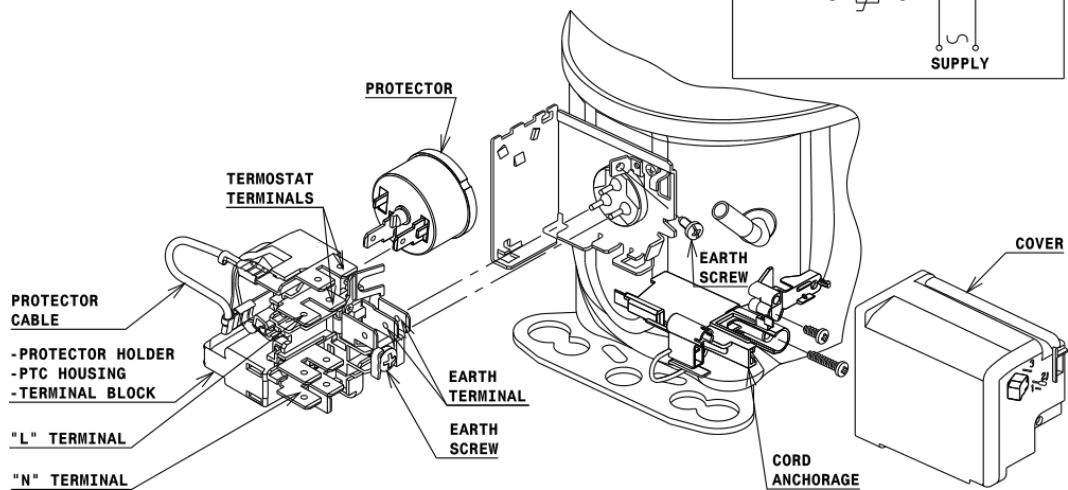
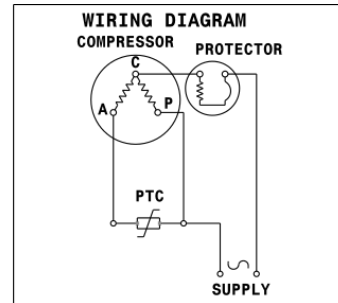


DESIGNATION INTERNAL DIAM.

DESIGNATION	INTERNAL DIAM.
1 Suction	6,5 mm
2 Service	6,5 mm
3 Discharge	4,9 mm

WIRING DIAGRAMS AND ELECTRICAL ASSEMBLY

RSIR CONNECTION (PTC) (L, P ranges)



Technical Data Sheet

FIXINGS



SILENT BLOCKS (MOUNTING ACCESSORIES)

STANDARD

Ø16 holes (170x70 net)



AMERICAN FEET

Ø19 holes (165x101.6 net)



SNAP-ON

Ø16 holes (170x70 net)



SOA

SOA R134a LBP

