

Technical Data Sheet

Compressor model **MLY80LAa**
 Voltage **220-240V 50Hz ~1**
 Refrigerant **R404A**

APPLICATION

Application	Low Back Pressure
Refrigerant	R404A
Evaporating Temp.	-40,0 °C to -10,0 °C
Expansion	Capillar/Valve
Comp. Cooling	Fan cooled
Max. ambient temp.	43,0 °C

COMPRESSOR

Displacement	8,10 cm ³
Diameter	24,29 mm
Stroke	17,47 mm
Net Weight	9,59 Kg
Oil type	ISO VG 32 ESTER
Oil charge	345 cm ³

MOTOR

Nominal Power	1/4 hp
Voltage/Frequency	220-240V 50Hz
Voltage range	198-255 V
Type	CSIR
Phase number	1 PH
Locked Rotor Amps (LRA)	13,00 A
Max. Cont. Current (MCC)	3,00 A
Main W. resist. at 25°C	8,60 Ω
Start W. resist. at 25°C	27,80 Ω

NOMINAL PERFORMANCE

	ASHRAE	CECOMAF
Cooling Capacity	350 kCal/h	275 W
COP	1,28 W/W	0,91 W/W
EER	1,10 kCal/Wh	0,78 kCal/Wh
Input Power	318 W	303 W
Current	1,95 A	1,90 A

APPROVALS

TEST CYCLE CONDITIONS

	ASHRAE LBP (B)	CECOMAF LBP (A)
Evaporating temp. (T _e)	-23,3 °C	-25,0 °C
Condensing temp. (T _c)	55,0 °C	55,0 °C
Liquid temp. (T _{liq.})	32,0 °C	55,0 °C
Ambient temp. (T _{amb.})	32,0 °C	32,0 °C
Suction temp. (T _{suction})	32,0 °C	32,0 °C
Voltage/Frequency	220 V 50 Hz	220 V 50 Hz

ELECTRICAL COMPONENTS

Starting capacitor	47- 56 µF 330 V			
Relay	Option 1	Option 2		
Reference	2014 135.	QLZ-5.8A		
Pick-Up	5,80 A	5.8 A		
Drop-Out	4,95 A	4.95 A		
Protector	Option 1			
Reference	T0102			
Current	9,80 A			
Time check	7,5-14 seg			
Disc temp. (Open/Close)	95,00 / 62,00 °C			

ASHRAE

Tc °C	Te °C	Cooling Capacity kCal/h	Consumption W	Current A	COP W/W	EER kCal/Wh
40	-40	150	190	1,54	0,92	0,79
40	-35	212	225	1,64	1,10	0,94
40	-30	287	260	1,75	1,28	1,10
40	-25	376	296	1,87	1,48	1,27
40	-23,3	409	308	1,91	1,55	1,33
40	-20	478	332	2,00	1,68	1,44
40	-15	594	368	2,15	1,88	1,61
40	-10	723	405	2,31	2,07	1,78

45	-40	140	185	1,53	0,88	0,76
45	-35	199	222	1,63	1,04	0,90
45	-30	271	260	1,75	1,21	1,04
45	-25	357	298	1,88	1,39	1,20
45	-23,3	389	311	1,92	1,46	1,25
45	-20	456	337	2,02	1,58	1,36
45	-15	569	376	2,18	1,76	1,51
45	-10	695	415	2,36	1,95	1,67

50	-40	130	180	1,51	0,84	0,72
50	-35	186	220	1,62	0,98	0,85
50	-30	256	260	1,75	1,14	0,98
50	-25	339	301	1,89	1,31	1,13
50	-23,3	370	315	1,94	1,37	1,18
50	-20	435	342	2,04	1,48	1,27
50	-15	544	383	2,21	1,65	1,42
50	-10	668	425	2,40	1,83	1,57

55	-40	120	175	1,50	0,80	0,69
55	-35	173	217	1,61	0,93	0,80
55	-30	240	260	1,75	1,07	0,92
55	-25	320	303	1,90	1,23	1,05
55	-23,3	350	318	1,95	1,28	1,10
55	-20	413	347	2,06	1,39	1,19
55	-15	520	391	2,25	1,55	1,33
55	-10	640	435	2,45	1,71	1,47

60	-40	110	170	1,49	0,75	0,65
60	-35	160	215	1,61	0,87	0,75
60	-30	224	260	1,75	1,00	0,86
60	-25	301	306	1,90	1,15	0,98
60	-23,3	330	321	1,96	1,20	1,03
60	-20	391	352	2,08	1,29	1,11
60	-15	495	398	2,28	1,45	1,24
60	-10	613	445	2,50	1,60	1,38

CECOMAF

Tc °C	Te °C	Cooling Capacity W	Consumption W	Current A	COP W/W	EER kCal/Wh
40	-40	158	190	1,54	0,83	0,72
40	-35	232	225	1,64	1,03	0,89
40	-30	316	260	1,75	1,21	1,05
40	-25	412	296	1,87	1,39	1,20
40	-23,3	447	308	1,91	1,45	1,25
40	-20	518	332	2,00	1,56	1,35
40	-15	636	368	2,15	1,73	1,49
40	-10	765	405	2,31	1,89	1,63

45	-40	140	185	1,53	0,76	0,65
45	-35	204	222	1,63	0,92	0,79
45	-30	280	260	1,75	1,08	0,93
45	-25	366	298	1,88	1,23	1,06
45	-23,3	398	311	1,92	1,28	1,11
45	-20	464	337	2,02	1,38	1,19
45	-15	573	376	2,18	1,52	1,32
45	-10	693	415	2,36	1,67	1,44

50	-40	122	180	1,51	0,68	0,59
50	-35	177	220	1,62	0,81	0,70
50	-30	243	260	1,75	0,94	0,81
50	-25	321	301	1,89	1,07	0,92
50	-23,3	350	315	1,94	1,11	0,96
50	-20	409	342	2,04	1,20	1,04
50	-15	509	383	2,21	1,33	1,15
50	-10	620	425	2,40	1,46	1,26

55	-40	104	175	1,50	0,59	0,51
55	-35	150	217	1,61	0,69	0,60
55	-30	207	260	1,75	0,80	0,69
55	-25	275	303	1,90	0,91	0,78
55	-23,3	301	318	1,95	0,95	0,82
55	-20	355	347	2,06	1,02	0,88
55	-15	446	391	2,25	1,14	0,99
55	-10	548	435	2,45	1,26	1,09

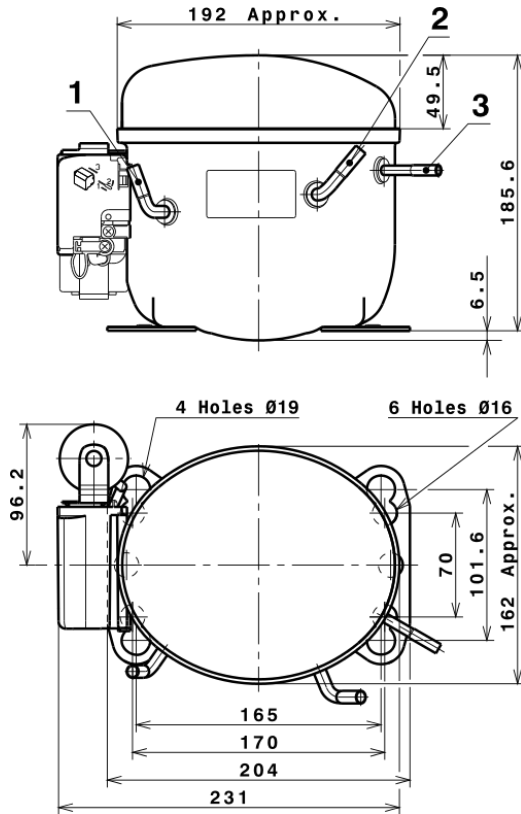
60	-40	86	170	1,49	0,50	0,43
60	-35	123	215	1,61	0,57	0,49
60	-30	171	260	1,75	0,66	0,57
60	-25	230	306	1,90	0,75	0,65
60	-23,3	253	321	1,96	0,79	0,68
60	-20	301	352	2,08	0,85	0,74
60	-15	382	398	2,28	0,96	0,83
60	-10	475	445	2,50	1,07	0,92

EN12900

X	Cooling Capacity (W)	Consumption (W)	Current (A)	Mass Flow (kg/h)
1	1.761,4824065196	370,7432338101	2,2220198450	37,701021931611
2	45,02933366889	3,8054051928	0,0295464534	1,1189638982893
3	-18,4845833223	3,0789661501	0,0140112275	-0,1977610568487
4	0,2115813099	0,0103533821	0,0003850915	0,0084219903960873
5	-0,3710665162	0,1025276796	0,0004168493	-0,0035389340064935

Equation	$x_1 + x_2Te + x_3Tc + x_4Te^2 + x_5TeTc$
----------	---

COMPRESSOR DIMENSIONS



DESIGNATION INTERNAL DIAM.

DESIGNATION	INTERNAL DIAM.
1	Suction 6,5 mm
2	Service 6,5 mm
3	Discharge 4,9 mm

WIRING DIAGRAMS AND ELECTRICAL ASSEMBLY

CSIR CONNECTION (L, P ranges)



Technical Data Sheet

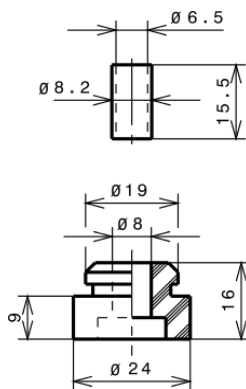
FIXINGS



SILENT BLOCKS (MOUNTING ACCESSORIES)

STANDARD

$\varnothing 16$ holes (170x70 net)



AMERICAN FEET

$\varnothing 19$ holes (165x101.6 net)



SNAP-ON

$\varnothing 16$ holes (170x70 net)



SOA

SOA R404A LBP

