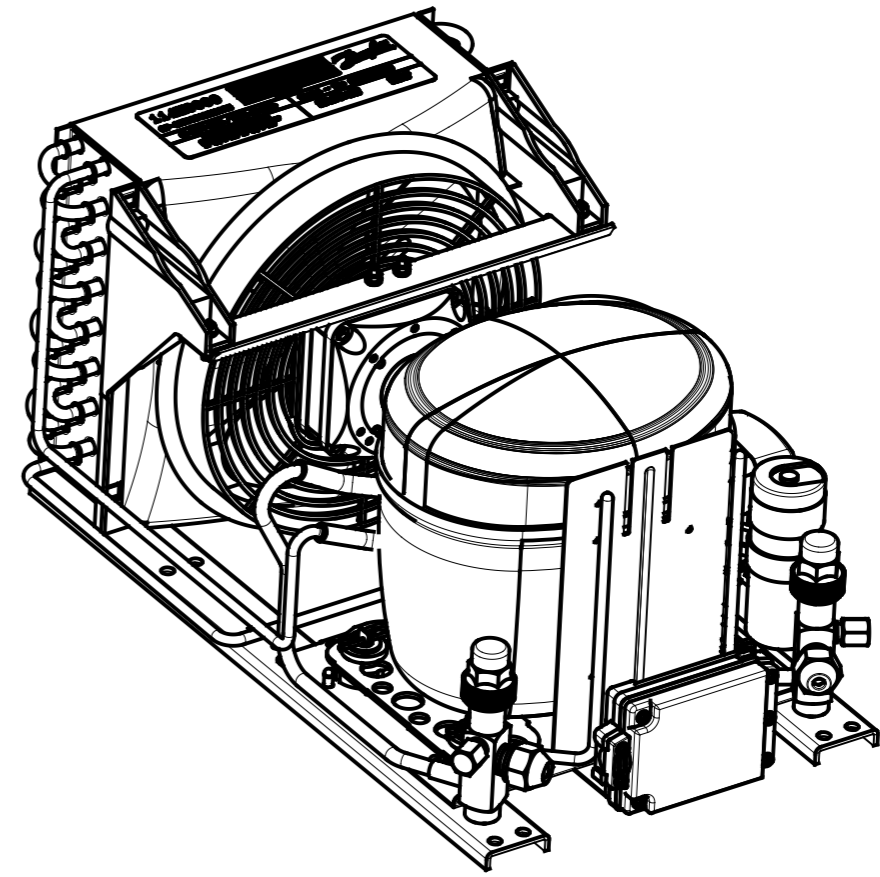
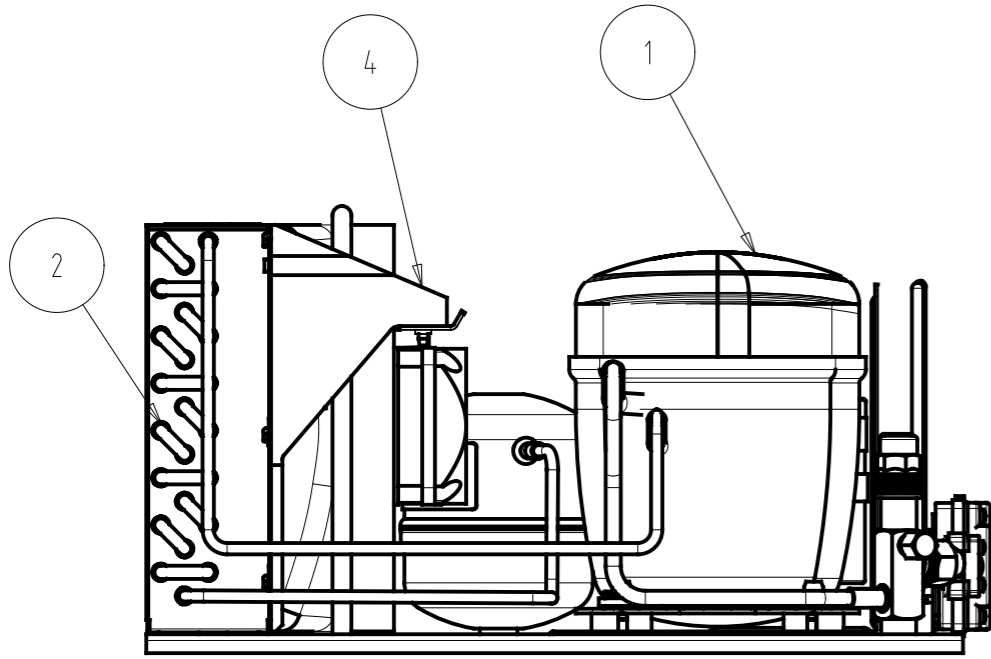


3D-VIEW

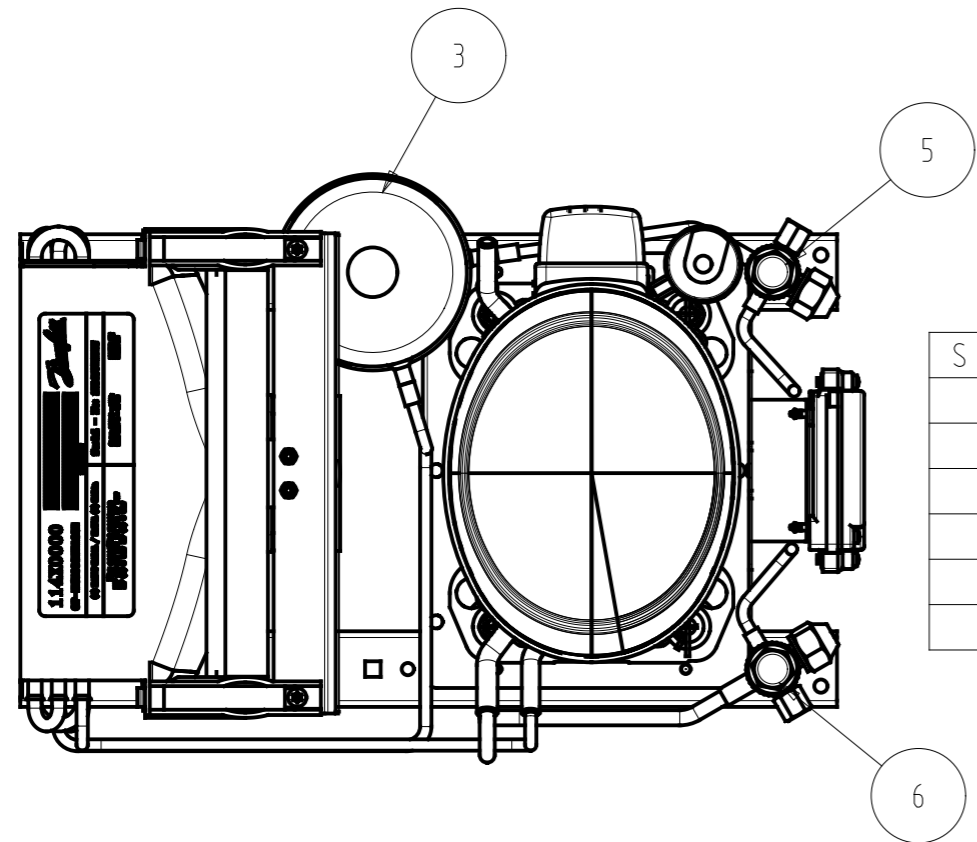
NOTE:
1. ALL DIMENSIONS ARE IN mm.

SL. NO	UNIT	DESCRIPTION	FAN	MASS (kg)
1	114X0225	OP-MCGC008FRA01G	1X200	17

General Tolerances Table	Drawing Status :			Production print			▽ Key characteristic ⊕ Critical characteristic According to Danfoss standard 502Z0024
	±1, ±0.5°			Surface Area (m2)	--	Estimated Mass (Kg)	
Roughness (µm)	A	ECR-2019-11240	10-10-2019	Projection	Scale	Size	Material : --
	Revision	ECR Number	Date		1/4	A3	Designation
	Designer	SAS					OP-MCGC008FRA01G
	Approval	AKS					
ISO 8015 ISO 1101	Confidential: Property of Danfoss Commercial Compressors. Not to be handed over to copied or used by third party. Two or three dimensional reproduction of contents to be authorized by Danfoss CC.						Sheet 1 of 2
	A.2	Dwg N°	114X0225				A



3D-VIEW



SL. NO	NAME	DESCRIPTION	QTY
1	103G6780	COMPONENT, COMPRESSOR DANFOSS FR8_5	1
2	0830220A50	ASSEMBLY, CONDENSER COIL FIN AND TUBE	1
3	118U0522	COMPONENT, RECEIVER DANFOSS	1
4	118U4022	ASSEMBLY, CONDENSER COOLING FAN GRILL	1
5	118U0480	ASSEMBLY, KP CONNECTION LIQUID VALVE 5/8 INCH	1
6	118U0486	ASSEMBLY, SUCTION VALVE 8.5mm	1

General Tolerances Table	Drawing Status :			Production print			▽ Key characteristic ⊕ Critical characteristic According to Danfoss standard 502Z0024
	±1, ±0.5°			Surface Area (m2)	--	Estimated Mass (Kg)	
Roughness (µm)	A	ECR-2019-11240	10-10-2019	Projection	Scale	Size	Material : -- Designation
		Revision	ECR Number	Date	1/4	A3	
ISO 8015 ISO 1101		Designer	SAS				OP-MCGC008FRA01G
		Approval	AKS				
Confidential: Property of Danfoss Commercial Compressors. Not to be handed over to copied or used by third party. Two or three dimensional reproduction of contents to be authorized by Danfoss CC.				Sheet 2 of 2			A
				A.2 Dwg N° 114X0225			