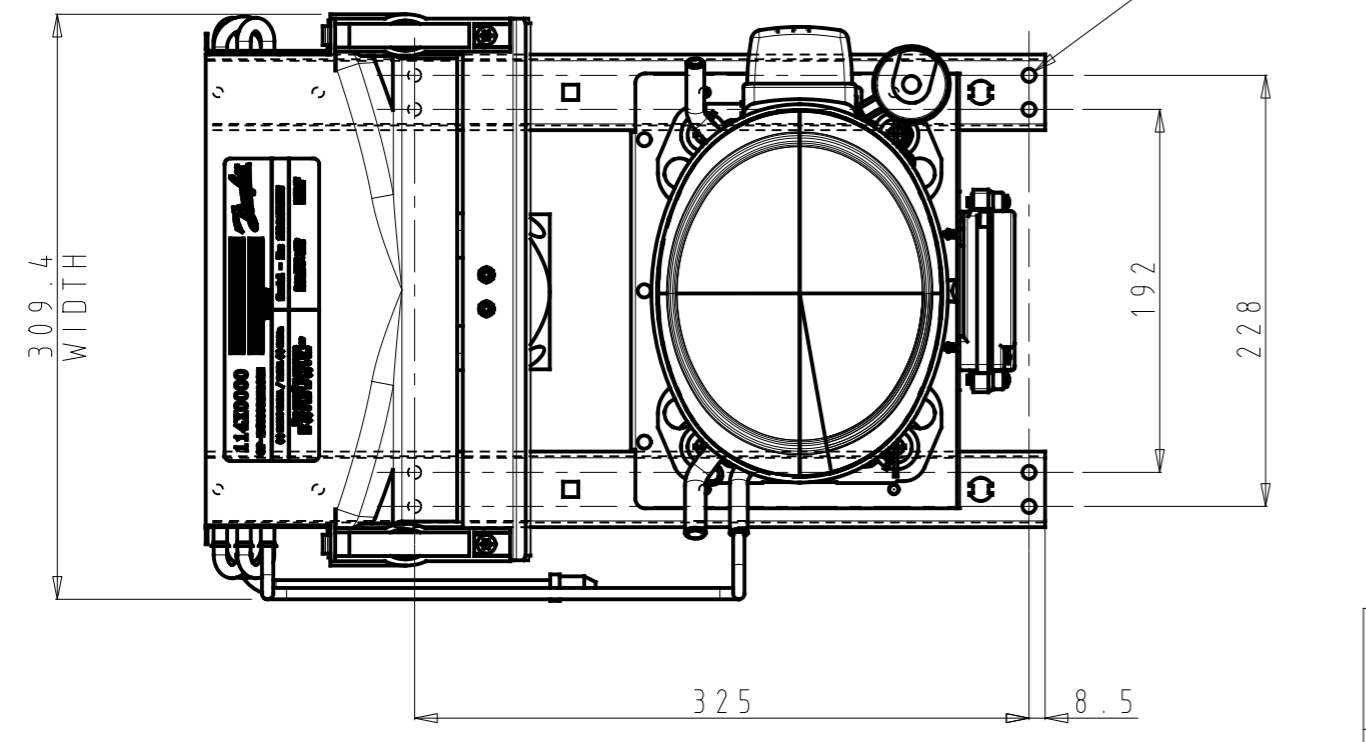


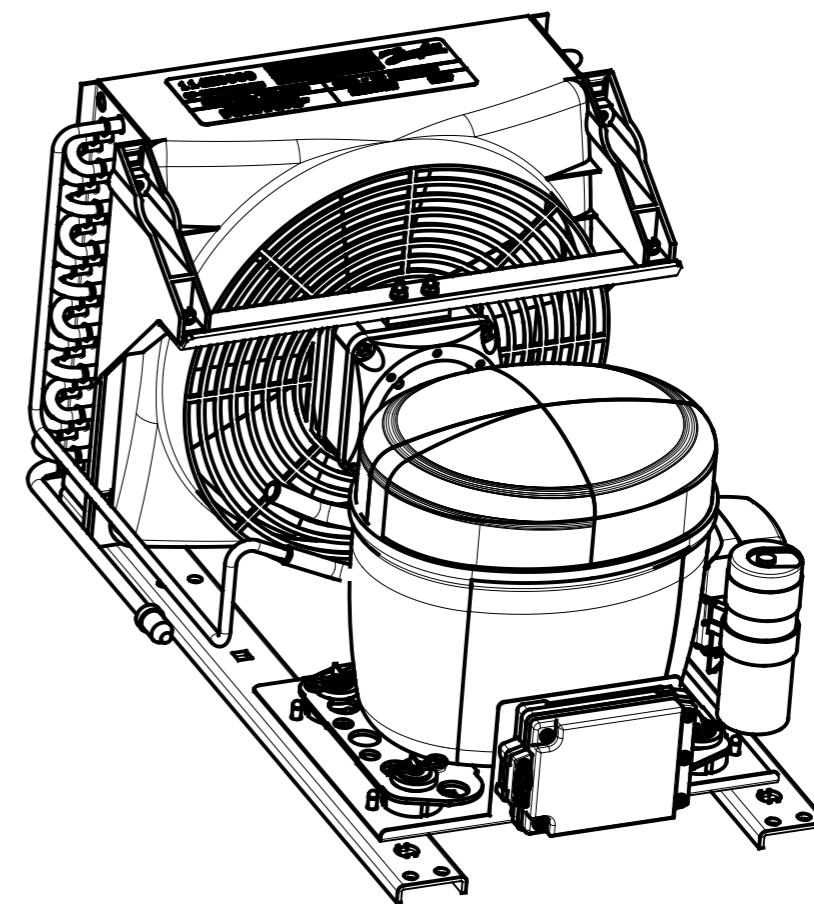
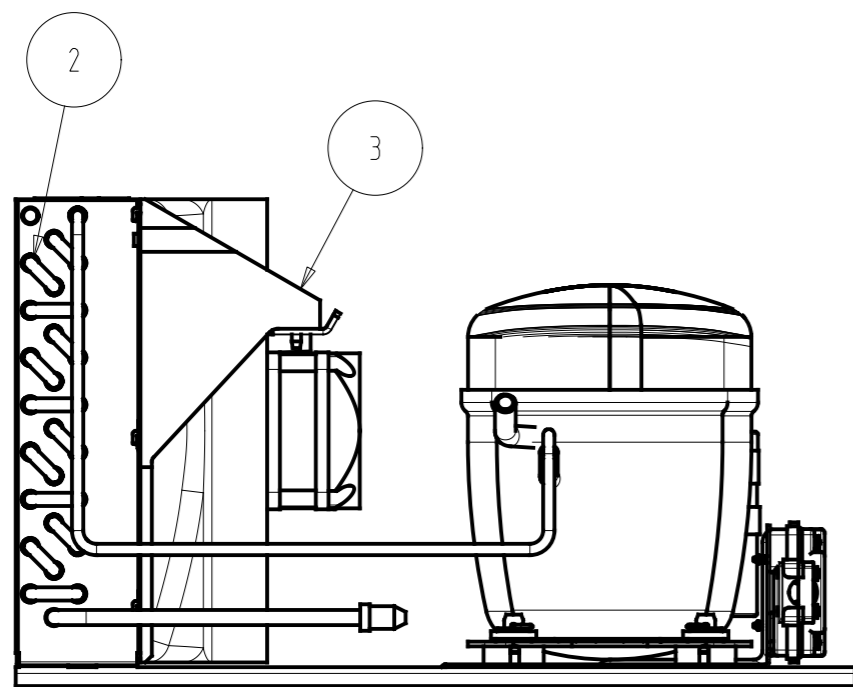
3D-VIEW



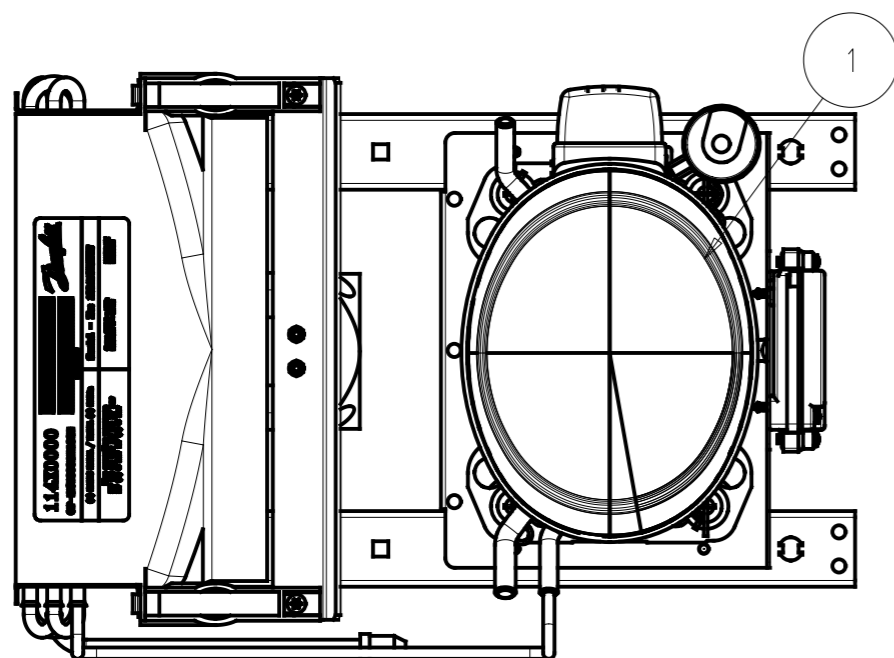
NOTE:
1. ALL DIMENSIONS ARE IN mm.

SL. NO	UNIT	DESCRIPTION	FAN	MASS (kg)
1	114X0336	OP-MCGC011FRA00G	1X230	18

General Tolerances Table	Drawing Status :			Production print			▽ Key characteristic ⊕ Critical characteristic According to Danfoss standard 502Z0024
	±1, ±0.5°			Surface Area (m2)	--	Estimated Mass (Kg)	
Roughness (µm)	A	ECR-2019-11240	10-10-2019	Projection	Scale	Size	Material : --
	Revision	ECR Number	Date		1/4	A3	Designation
	Designer	SAS					OP-MCGC011FRA00G
	Approval	AKS					
ISO 8015 ISO 1101	Confidential: Property of Danfoss Commercial Compressors. Not to be handed over to copied or used by third party. Two or three dimensional reproduction of contents to be authorized by Danfoss CC.						Sheet 1 of 2
	A.2	Dwg N°	114X0336				A



3D-VIEW



SL. NO	NAME	DESCRIPTION	QTY
1	103G6980	COMPONENT, COMPRESSOR DANFOSS FR11GX	1
2	0930250A50	ASSEMBLY, CONDENSER FIN AND TUBE	1
3	118U4023	ASSEMBLY, CONDENSER COOLING FAN ASSEMBLY	1

General Tolerances Table	Drawing Status :			Production print			▽ Key characteristic ⊕ Critical characteristic According to Danfoss standard 502Z0024
	±1, ±0.5°			Surface Area (m2)	--	Estimated Mass (Kg)	
Roughness (µm)	A	ECR-2019-11240	10-10-2019	Projection	Scale	Size	Material : --
	Revision	ECR Number	Date	⊕	1/4	A3	Designation
	Designer	SAS					OP-MCGC011FRA00G
	Approval	AKS					
ISO 8015 ISO 1101	Confidential: Property of Danfoss Commercial Compressors. Not to be handed over to copied or used by third party. Two or three dimensional reproduction of contents to be authorized by Danfoss CC.						Sheet 2 of 2
							A.2 Dwg N° 114X0336

A