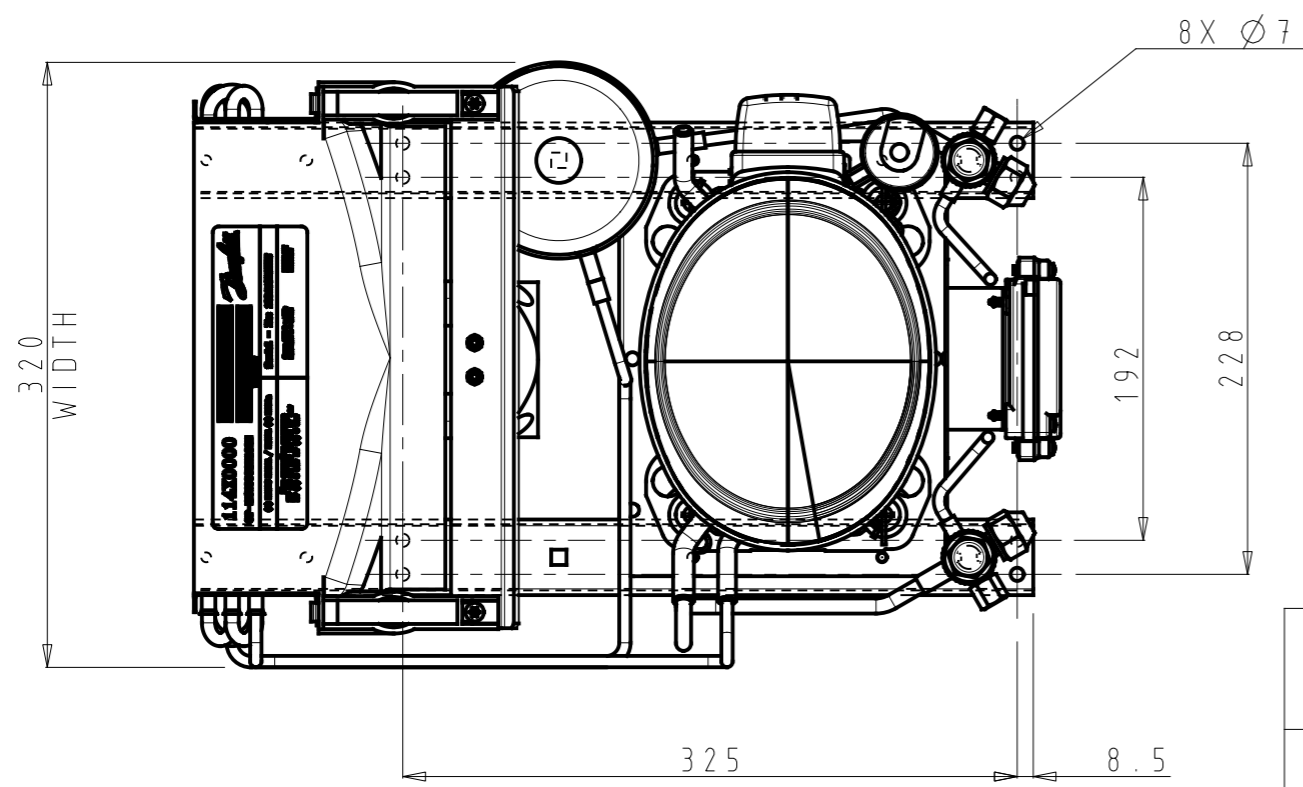


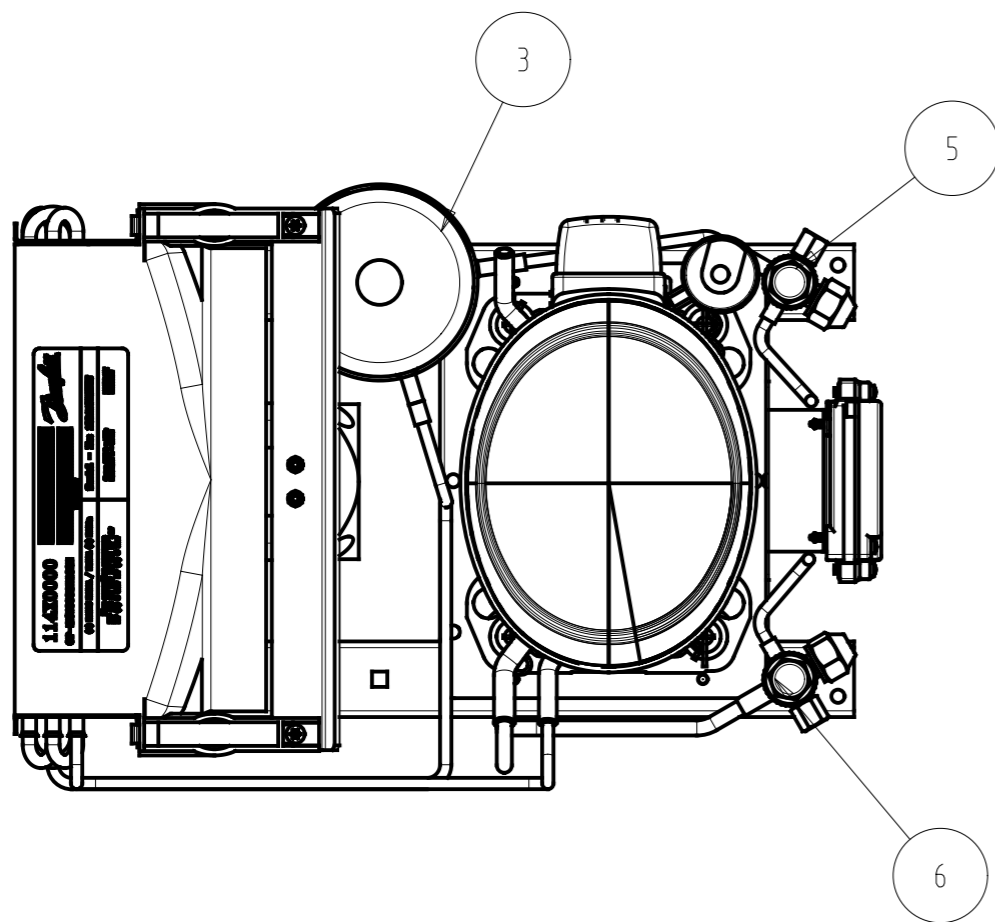
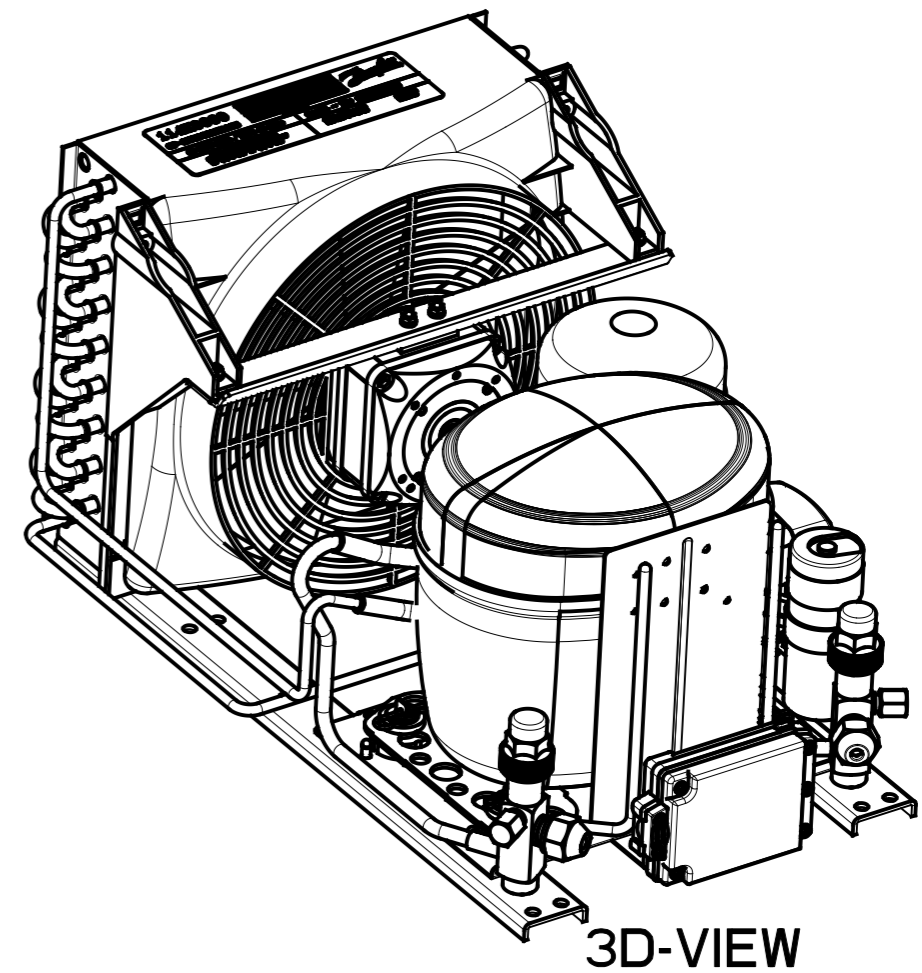
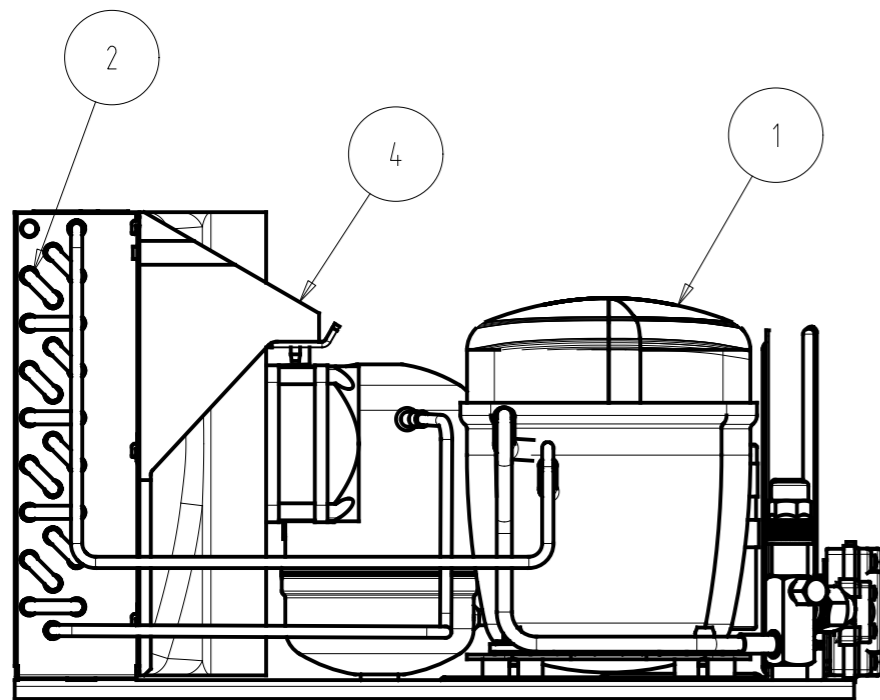
3D-VIEW



NOTE:
1. ALL DIMENSIONS ARE IN mm.

SL. NO	UNIT	DESCRIPTION	FAN	MASS (kg)
1	114X0337	OP-MCGC011FRA01G	1X230	18

General Tolerances Table	Drawing Status :			Production print			▽ Key characteristic ⊕ Critical characteristic According to Danfoss standard 502Z0024	
	±1, ±0.5°			Surface Area (m2)	--	Estimated Mass (Kg)		--
Roughness (µm)	A	ECR-2019-11240	10-10-2019	Projection	Scale	Size	Material : -- Designation	
		Revision	ECR Number	Date	1/4	A3		
• ISO 8015 • ISO 1101	Confidential: Property of Danfoss Commercial Compressors. Not to be handed over to copied or used by third party. Two or three dimensional reproduction of contents to be authorized by Danfoss CC.						OP-MCGC011FRA01G	
							Sheet 1 of 2	A
							A.2 Dwg N° 114X0337	



SL. NO	NAME	DESCRIPTION	QTY
1	103G6980	COMPONENT, COMPRESSOR DANFOSS FR11GX	1
2	0930250A50	ASSEMBLY, CONDENSER FIN AND TUBE	1
3	118U0528	COMPONENT, RECEIVER DANFOSS 100_169VS00	1
4	118U4023	ASSEMBLY, CONDENSER COOLING FAN ASSEMBLY	1
5	118U0480	ASSEMBLY, KP CONNECTION LIQUID VALVE 5/8 INCH	1
6	118U0486	ASSEMBLY, SUCTION VALVE 8.5mm	1

General Tolerances Table	Drawing Status :			Production print			▽ Key characteristic ⊕ Critical characteristic According to Danfoss standard 502Z0024
	±1, ±0.5°			Surface Area (m2)	--	Estimated Mass (Kg)	
Roughness (µm)	A	ECR-2019-11240	10-10-2019	Projection	Scale	Size	Material : --
	Revision	ECR Number	Date		1/4	A3	Designation
	Designer	SAS					OP-MCGC011FRA01G
	Approval	AKS					
ISO 8015 ISO 1101	Confidential: Property of Danfoss Commercial Compressors. Not to be handed over to copied or used by third party. Two or three dimensional reproduction of contents to be authorized by Danfoss CC.						Sheet 2 of 2
				A.2	Dwg N°	114X0337	A