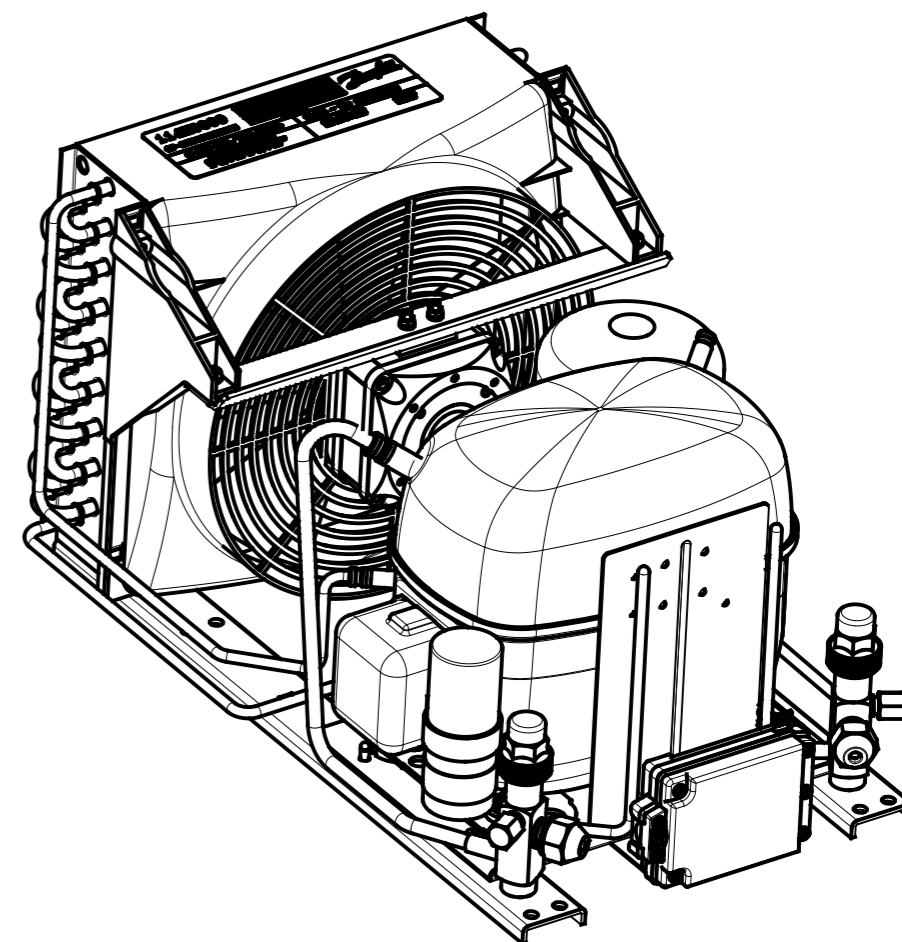
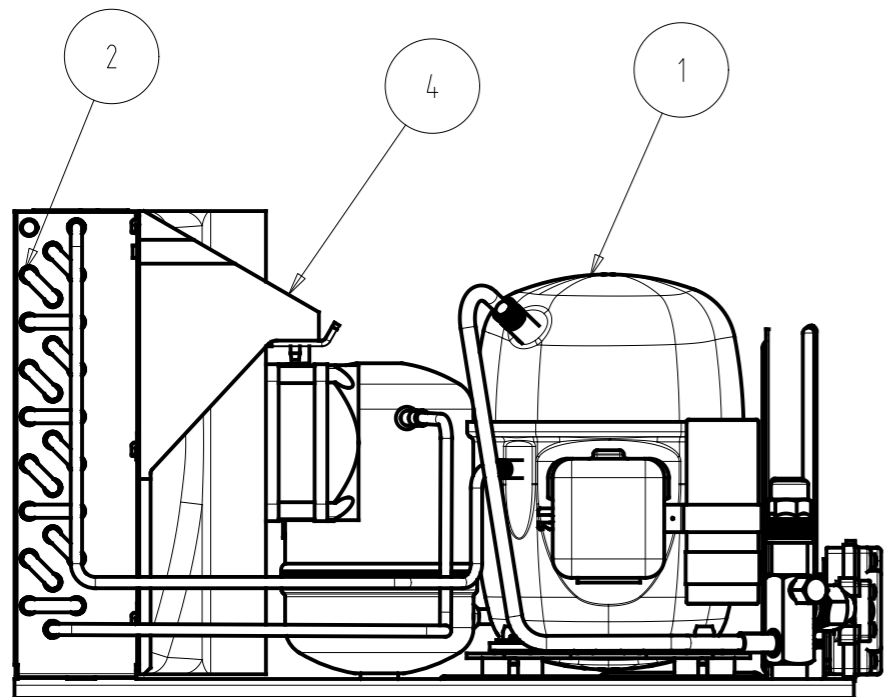


3D-VIEW

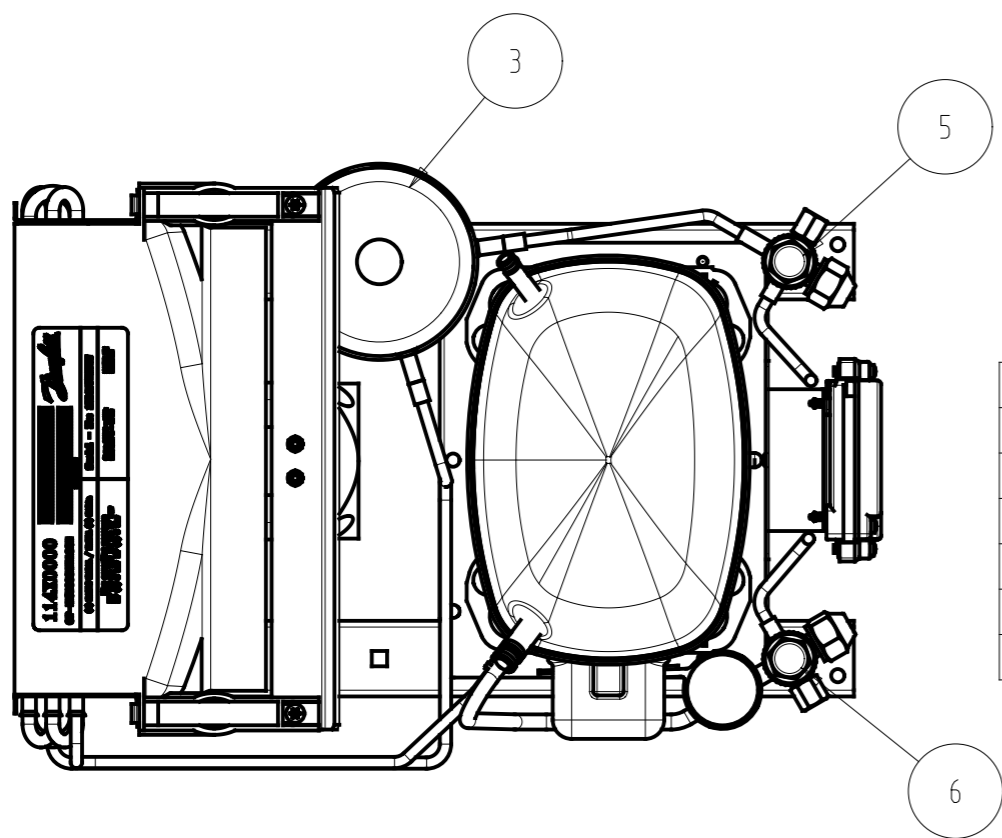
NOTE:
1. ALL DIMENSIONS ARE IN mm.

| SL. NO | UNIT | DESCRIPTION | FAN | MASS (kg) |
|--------|----------|------------------|-------|-----------|
| 1 | 114X0341 | OP-MCGC012SCA01G | 1X230 | 20 |

| | | | | | | | | |
|--------------------------|---|----------------|------------|-------------------|-------|---------------------|---|----|
| General Tolerances Table | Drawing Status : | | | Production print | | | ▽ Key characteristic ⊕ Critical characteristic According to Danfoss standard 502Z0024 | |
| | ±1, ±0.5° | | | Surface Area (m2) | -- | Estimated Mass (Kg) | | -- |
| Roughness (µm) | A | ECR-2019-11240 | 10-10-2019 | Projection | Scale | Size | Material : -- | |
| | | Revision | ECR Number | Date | 1/4 | A3 | Designation | |
| | | Designer | SAS | | | | OP-MCGC012SCA01G | |
| | | Approval | AKS | | | | | |
| ISO 8015 ISO 1101 | Confidential: Property of Danfoss Commercial Compressors. Not to be handed over to copied or used by third party. Two or three dimensional reproduction of contents to be authorized by Danfoss CC. | | | | | | Sheet 1 of 2 | A |
| | A.2 | Dwg N° | 114X0341 | | | | | |



3D-VIEW



| SL.NO | NAME | DESCRIPTION | QTY |
|-------|------------|---|-----|
| 1 | 104G8240 | ASSEMBLY, COMPRESSOR DANFOSS SC12GX | 1 |
| 2 | 0930250A50 | ASSEMBLY, CONDENSER FIN AND TUBE | 1 |
| 3 | 118U0528 | COMPONENT, RECEIVER DANFOSS 100_169VS00 | 1 |
| 4 | 118U4023 | ASSEMBLY, CONDENSER COOLING FAN ASSEMBLY | 1 |
| 5 | 118U0480 | ASSEMBLY, KP CONNECTION LIQUID VALVE 5/8 INCH | 1 |
| 6 | 118U0486 | ASSEMBLY, SUCTION VALVE 8.5mm | 1 |

| | | | | | | | |
|--------------------------|---|----------------|------------|-------------------|-------|---------------------|---|
| General Tolerances Table | Drawing Status : | | | Production print | | | ▽ Key characteristic ⊕ Critical characteristic According to Danfoss standard 502Z0024 |
| | ±1, ±0.5° | | | Surface Area (m2) | -- | Estimated Mass (Kg) | |
| Roughness (µm) | A | ECR-2019-11240 | 10-10-2019 | Projection | Scale | Size | Material : -- |
| | Revision | ECR Number | Date | ⊕ | 1/4 | A3 | Designation |
| | Designer | SAS | | | | | OP-MCGC012SCA01G |
| | Approval | AKS | | | | | |
| ISO 8015 ISO 1101 | Confidential: Property of Danfoss Commercial Compressors. Not to be handed over to copied or used by third party. Two or three dimensional reproduction of contents to be authorized by Danfoss CC. | | | | | | Sheet 2 of 2 |
| | | | | | | | A.2 Dwg N° 114X0341 |

A