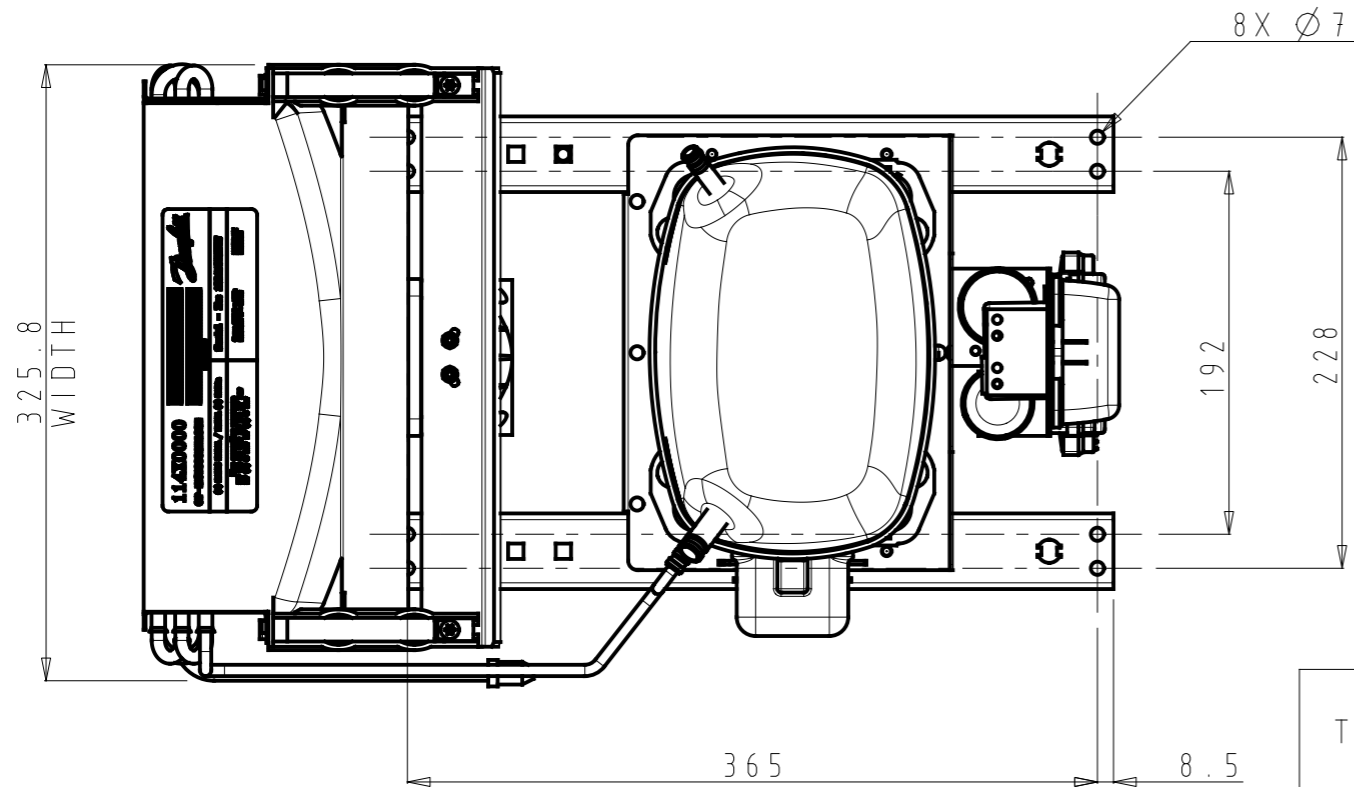


3D-VIEW

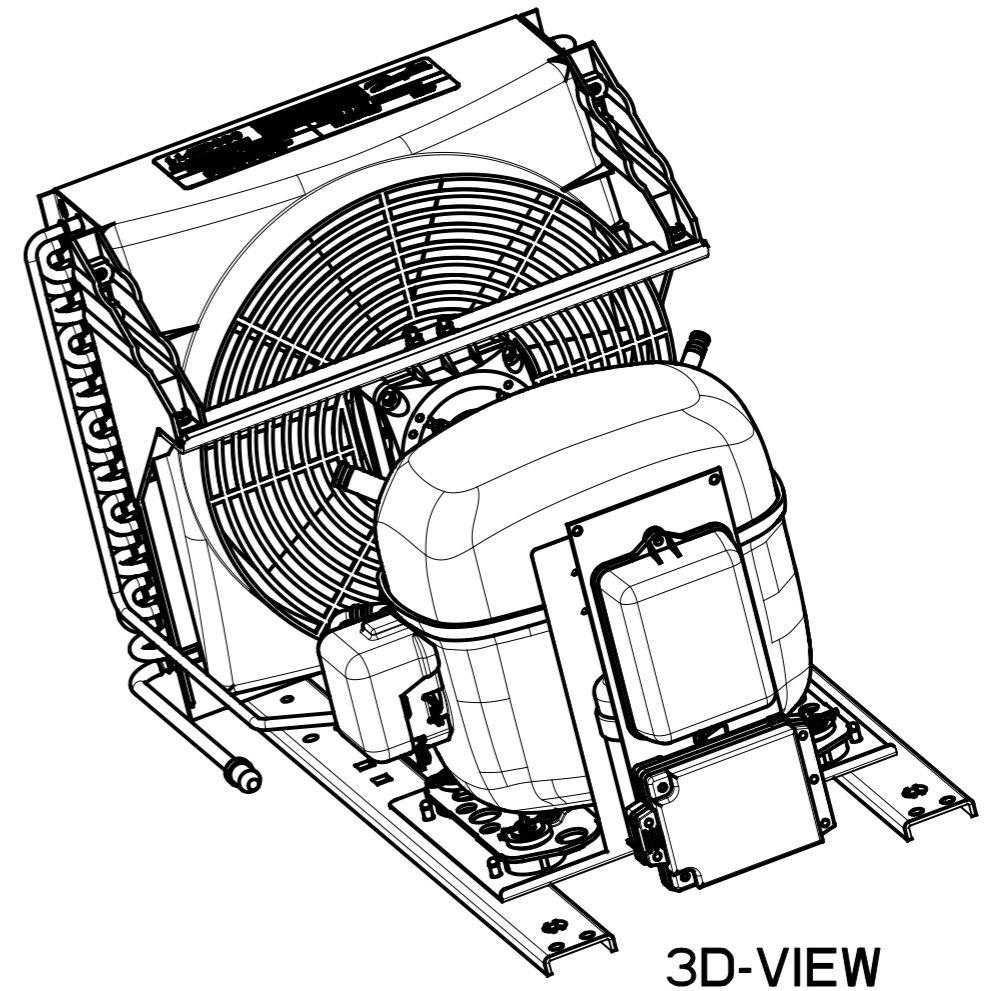
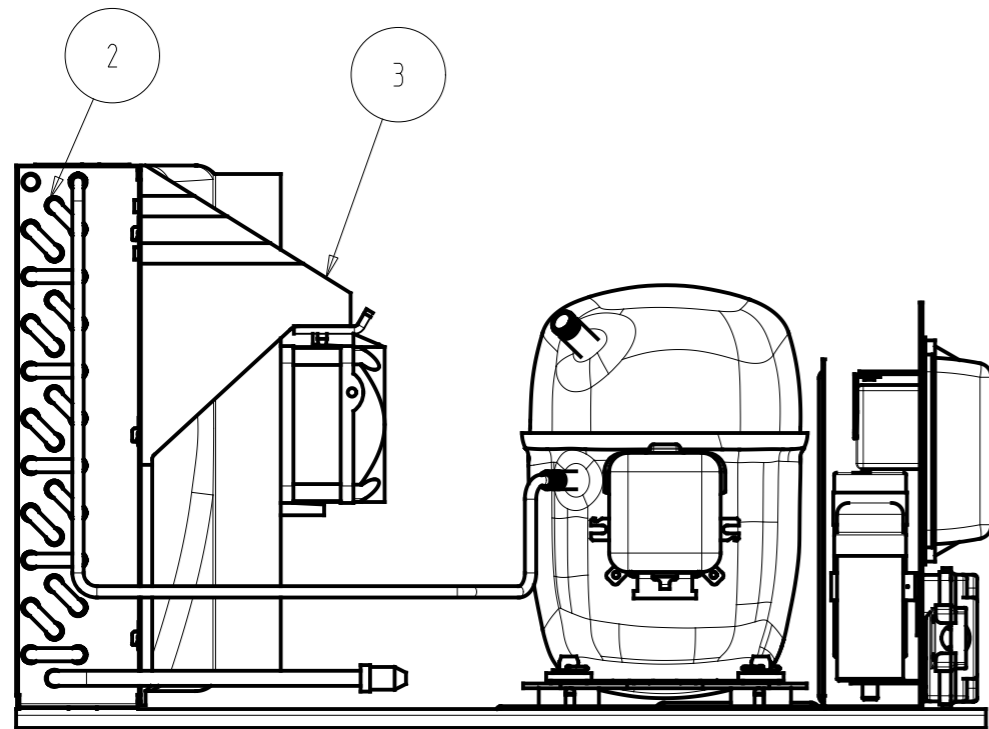


NOTE:
1. ALL DIMENSIONS ARE IN mm.

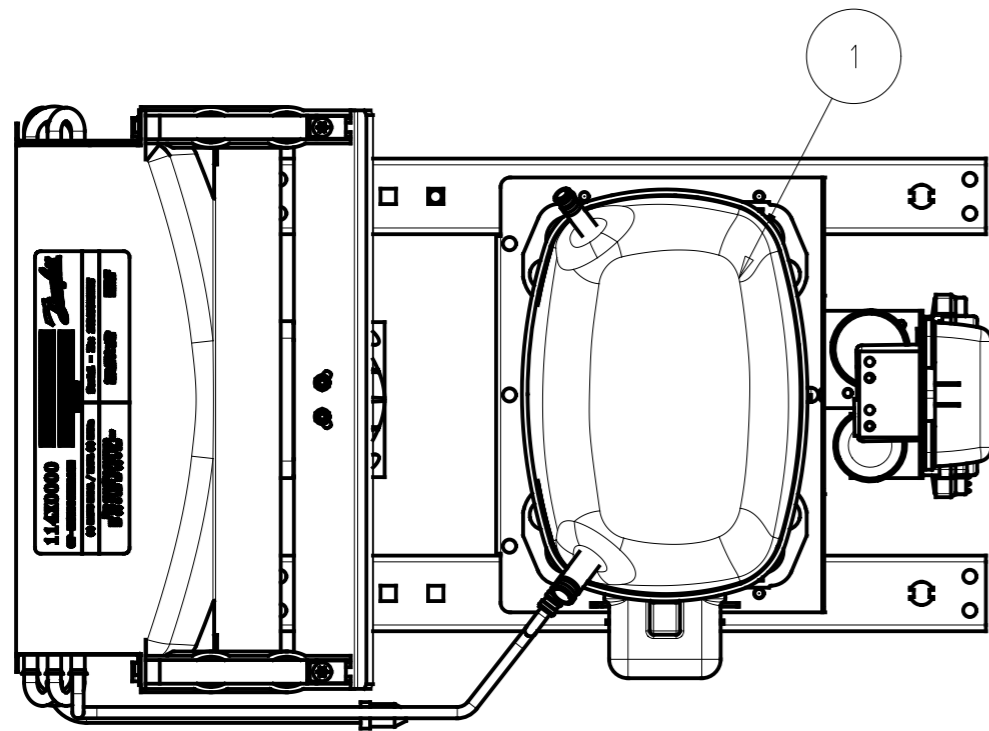
SL. NO	UNIT	DESCRIPTION	FAN	MASS (kg)
1	114X0564	OP-MCGC021SCA00G	1X254	23

General Tolerances Table	Drawing Status :			Production print			▽ Key characteristic ⊕ Critical characteristic According to Danfoss standard 502Z0024 Material : -- Designation OP-MCGC021SCA00G
	±1, ±0.5°			Surface Area (m2)	--		
				Estimated Mass (Kg)	--		
				Projection	Scale	Size	
Roughness (µm)	A	ECR-2019-11240	11-11-2019	1/4	A3		
	Revision	ECR Number	Date				
	Designer	SAS					
Approval	AKS						
ISO 8015 ISO 1101	Confidential: Property of Danfoss Commercial Compressors. Not to be handed over to copied or used by third party. Two or three dimensional reproduction of contents to be authorized by Danfoss CC.						Sheet 1 of 2 A.2 Dwg N° 114X0564

A



3D-VIEW



SL. NO	NAME	DESCRIPTION	QTY
1	104G8140	ASSEMBLY, COMPRESSOR DANFOSS SC21GX	1
2	1130270A50	ASSEMBLY, CONDENSER FIN AND TUBE COIL	1
3	118U4024	ASSEMBLY, CONDENSER COOLING FAN	1

General Tolerances Table	Drawing Status :			Production print			▽ Key characteristic ⊕ Critical characteristic According to Danfoss standard 502Z0024	
	±1, ±0.5°			Surface Area (m2)	--			Estimated Mass (Kg)
Roughness (µm)	A	ECR-2019-11240	11-11-2019	Projection	Scale	Size	Material : --	
		Revision	ECR Number	Date	1/4	A3		
• ISO 8015 ISO 1101		Designer	SAS				Designation	
		Approval	AKS					OP-MCGC021SCA00G
Confidential: Property of Danfoss Commercial Compressors. Not to be handed over to copied or used by third party. Two or three dimensional reproduction of contents to be authorized by Danfoss CC.							Sheet 2 of 2	A
							A.2 Dwg N° 114X0564	