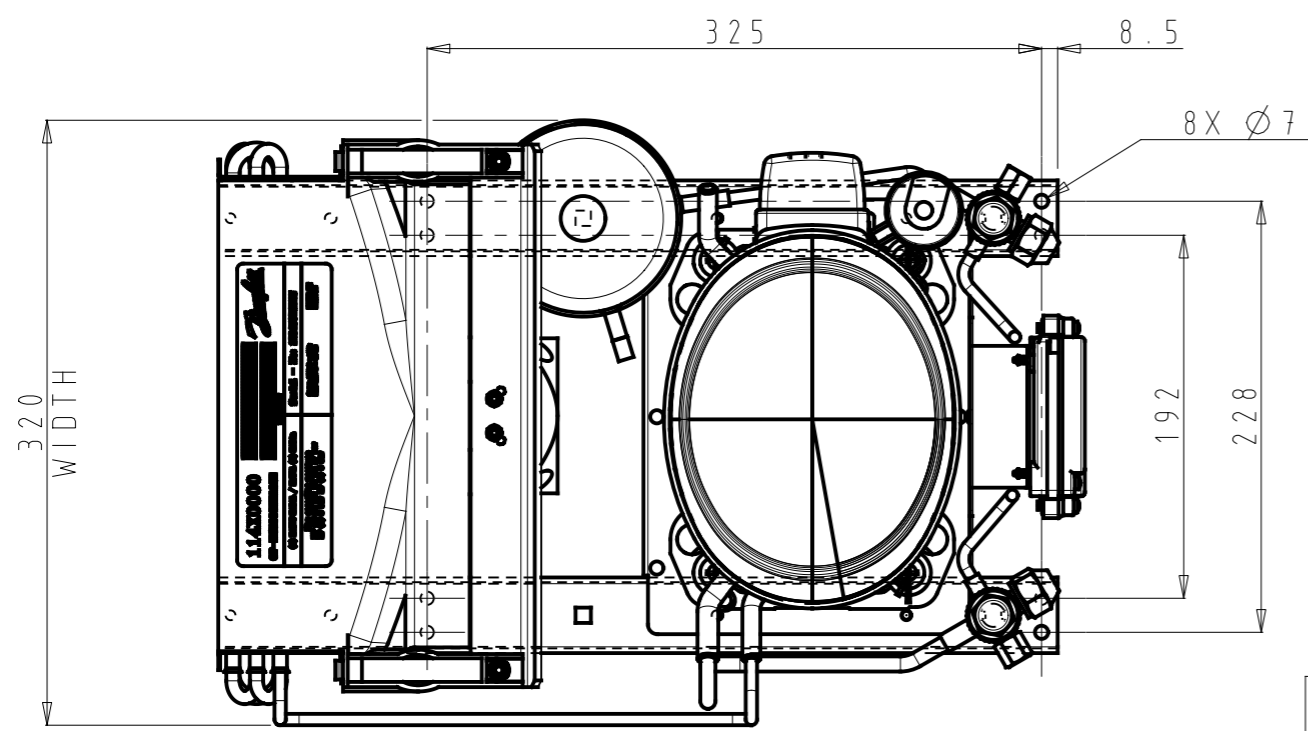


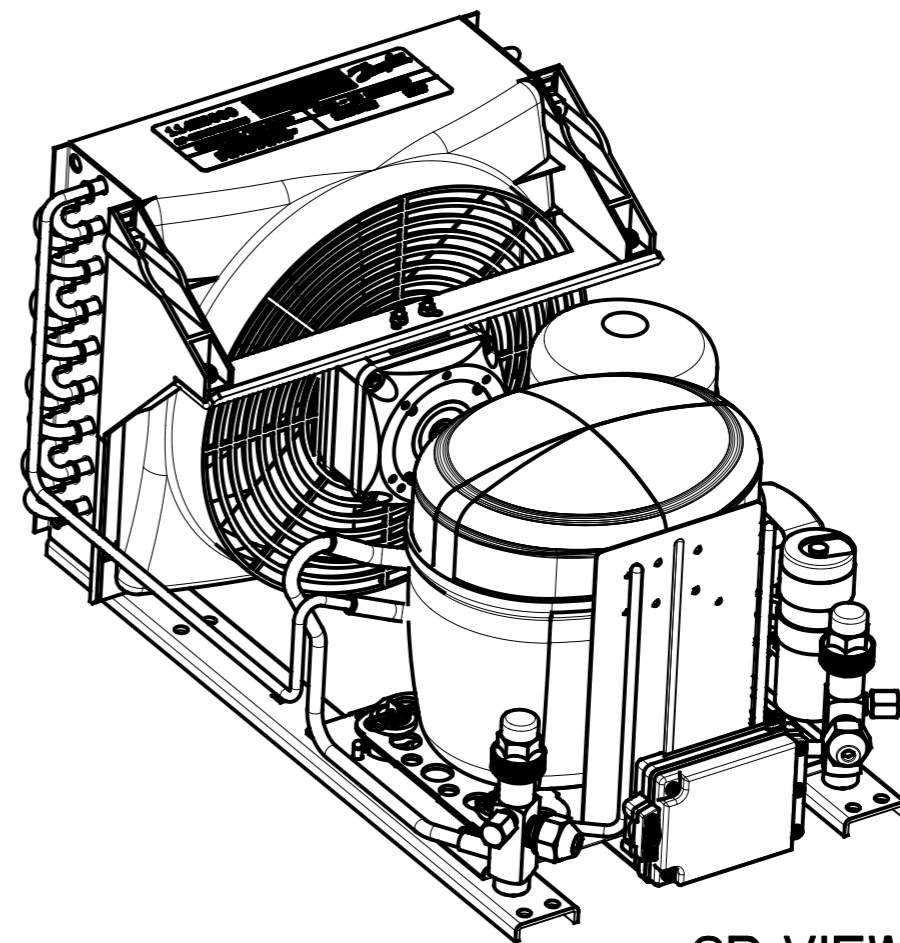
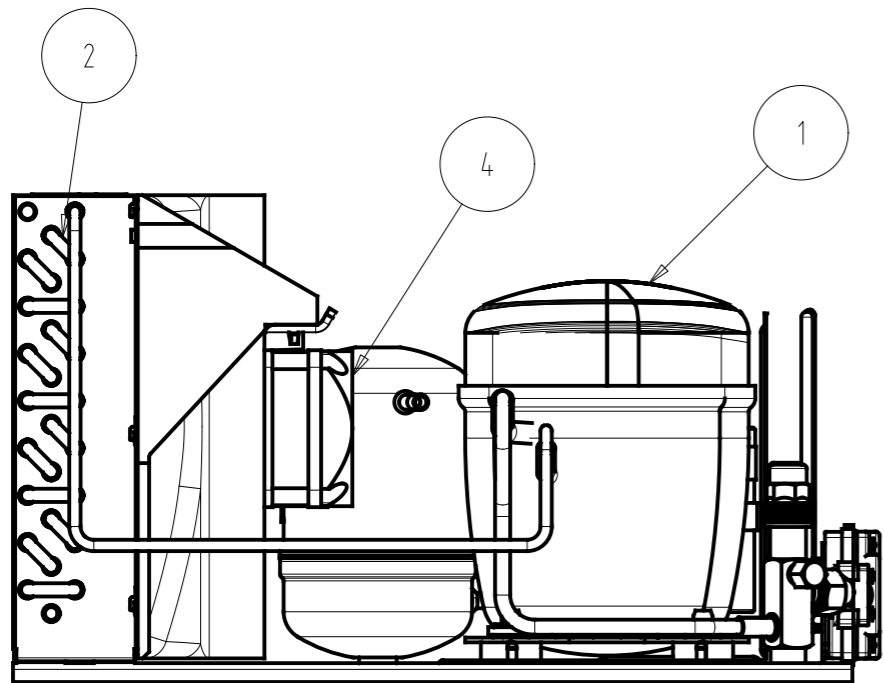
3D-VIEW



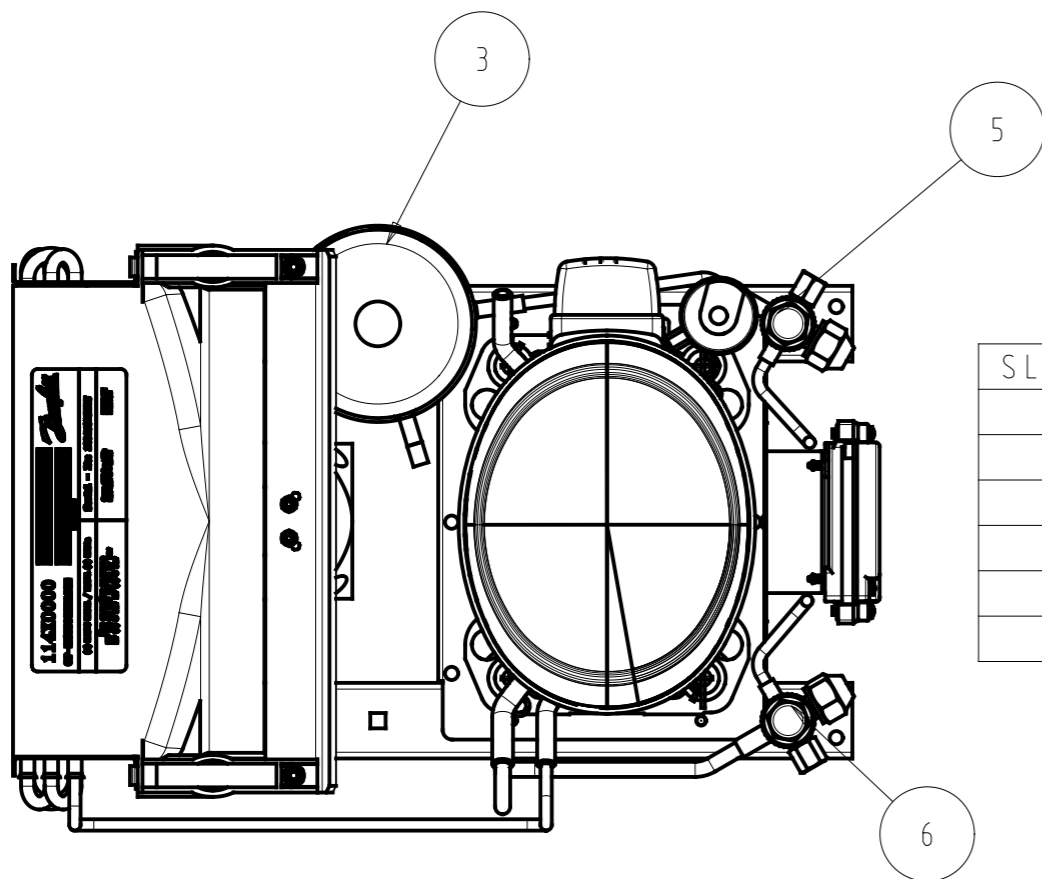
NOTE:
1. ALL DIMENSIONS ARE IN mm.

SL. NO	UNIT	DESCRIPTION	FAN	MASS (kg)
1	114X1325	OP-LCHC008FRA01G	1X230	18

General Tolerances Table	Drawing Status :			Production print			▽ Key characteristic ⊗ Critical characteristic According to Danfoss standard 502Z0024
	±1, ±0.5°			Surface Area (m2)	--	Estimated Mass (Kg)	
Roughness (µm)	A	ECR-2019-11240	19-09-2019	Projection	Scale	Size	Material : --
	Revision	ECR Number	Date		1/4	A3	Designation
	Designer	SAS					OP-LCHC008FRA01G
	Approval	AKS					
ISO 8015 ISO 1101	Confidential: Property of Danfoss Commercial Compressors. Not to be handed over to copied or used by third party. Two or three dimensional reproduction of contents to be authorized by Danfoss CC.						Sheet 1 of 2
	A.2	Dwg N°	114X1325				A



3D-VIEW



SL. NO	NAME	DESCRIPTION	QTY
1	103U2890	COMPONENT, COMPRESSOR DANFOSS FR8_5CL	1
2	0930250A50	ASSEMBLY, CONDENSER FIN AND TUBE	1
3	118U0528	COMPONENT, RECEIVER DANFOSS 100_169VS00	1
4	118U0201	ASSEMBLY, CONDENSER COOLING FAN MOTOR	1
5	118U0480	ASSEMBLY, KP CONNECTION LIQUID VALVE 5/8 INCH	1
6	118U0486	ASSEMBLY, SUCTION VALVE 8.5mm	1

General Tolerances Table	Drawing Status :			Production print			▽ Key characteristic ⊕ Critical characteristic According to Danfoss standard 502Z0024
	±1, ±0.5°			Surface Area (m2)	--	Estimated Mass (Kg)	
Roughness (µm)	A	ECR-2019-11240	19-09-2019	Projection	Scale	Size	Material : --
	Revision	ECR Number	Date		1/4	A3	Designation
	Designer	SAS					OP-LCHC008FRA01G
	Approval	AKS					
• ISO 8015 • ISO 1101	Confidential: Property of Danfoss Commercial Compressors. Not to be handed over to copied or used by third party. Two or three dimensional reproduction of contents to be authorized by Danfoss CC.						Sheet 2 of 2
	A.2	Dwg N°	114X1325				A