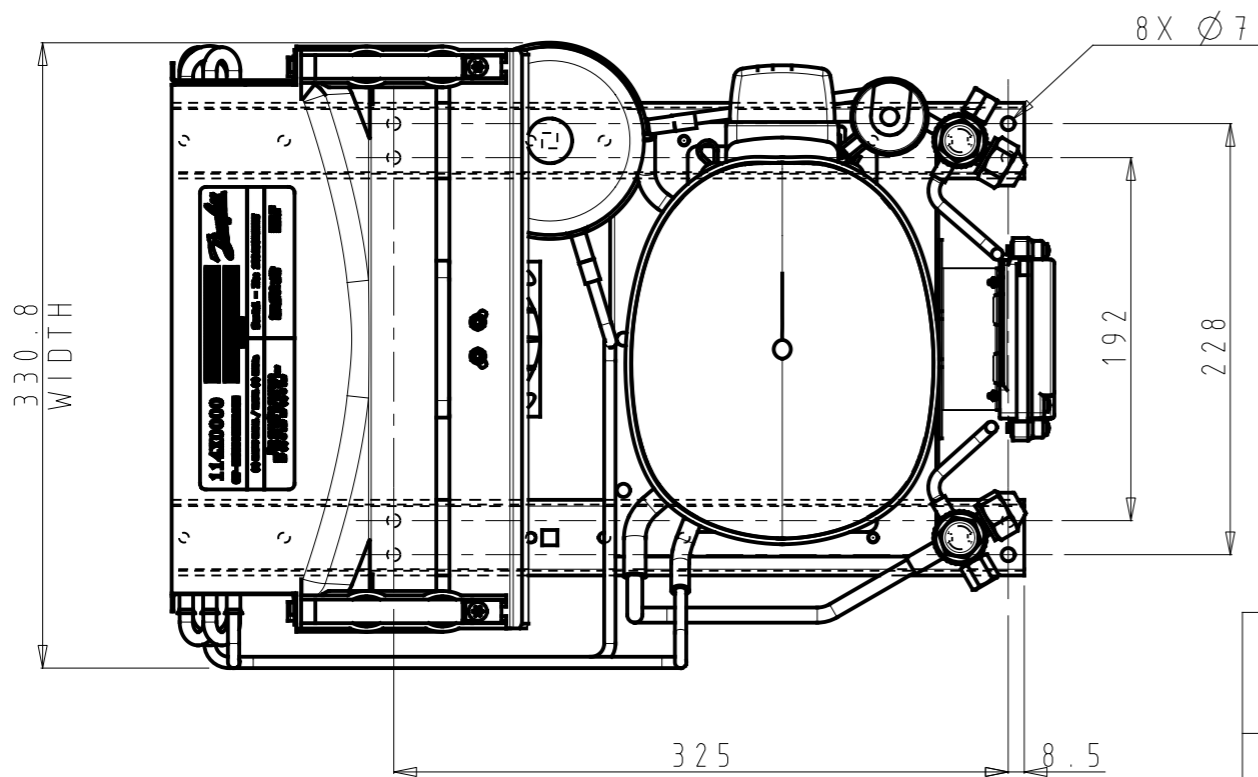


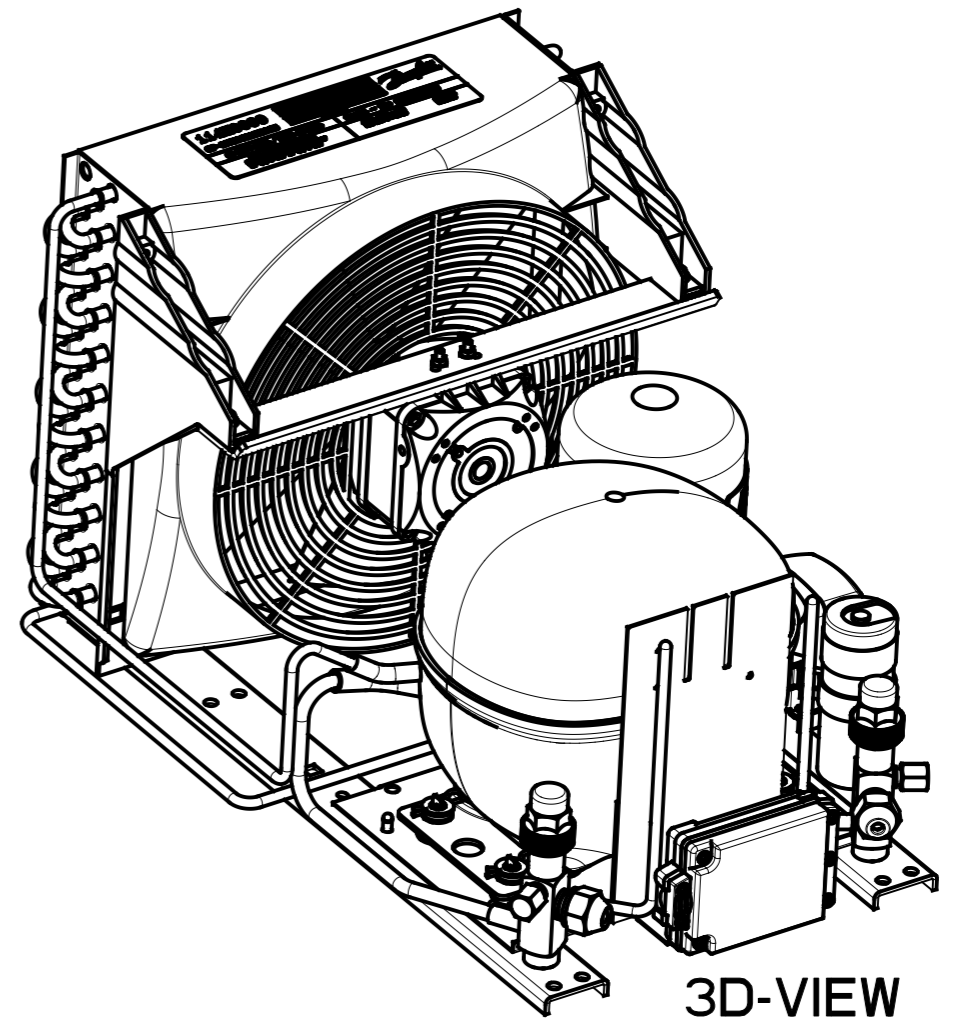
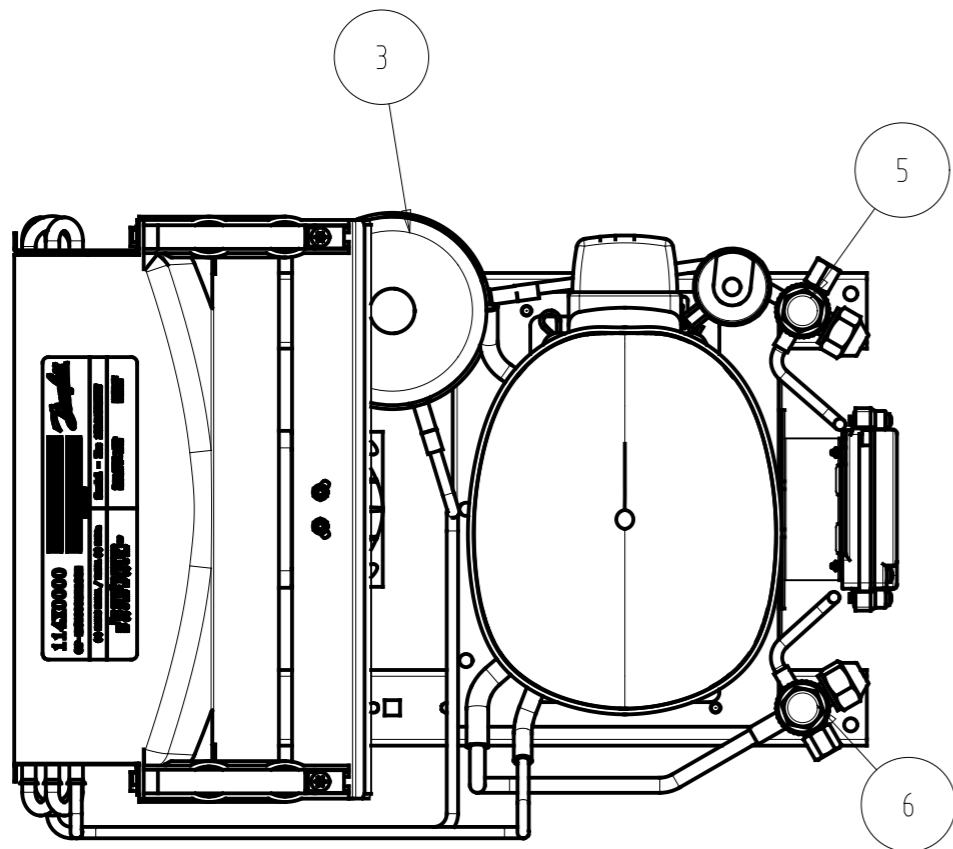
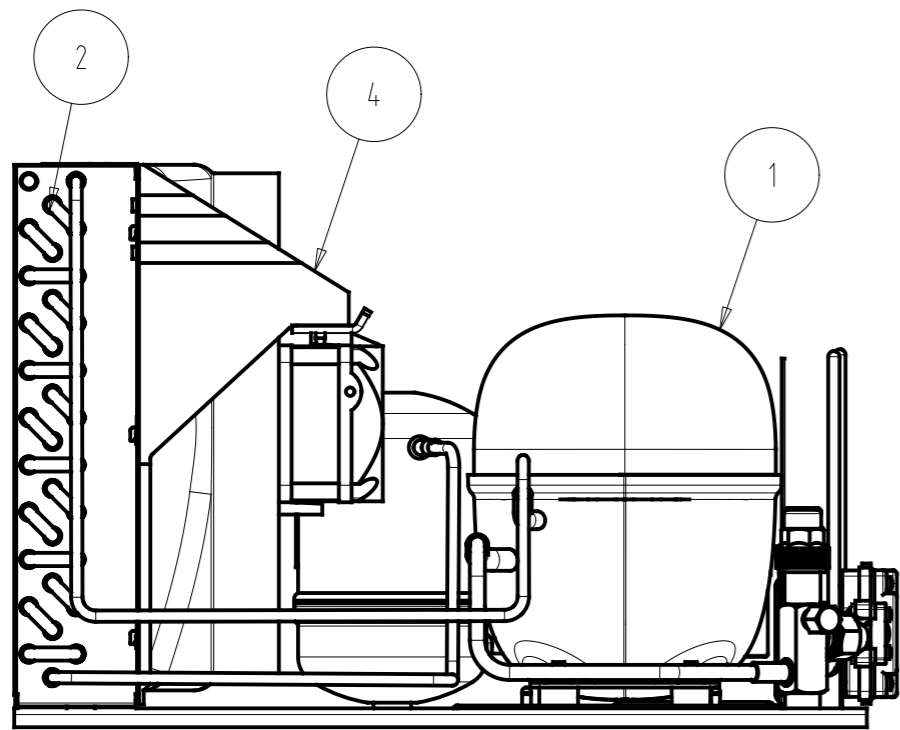
3D-VIEW



NOTE:
1. ALL DIMENSIONS ARE IN mm.

SL. NO	UNIT	DESCRIPTION	FAN	MASS (kg)
1	114X2425	OP-MCHC007NFA01G	1X254	22

General Tolerances Table	Drawing Status :			Production print			▽ Key characteristic ⊕ Critical characteristic According to Danfoss standard 502Z0024	
	±1, ±0.5°			Surface Area (m2)	--	Estimated Mass (Kg)		--
Roughness (µm)	A	ECR-2019-11240	10-10-2019	Projection	Scale	Size	Material : --	
		Revision	ECR Number	Date	1/4	A3	Designation	
		Designer	SAS				OP-MCHC007NFA01G	
		Approval	AKS					
ISO 8015 ISO 1101	Confidential: Property of Danfoss Commercial Compressors. Not to be handed over to copied or used by third party. Two or three dimensional reproduction of contents to be authorized by Danfoss CC.						Sheet 1 of 2	A
	A.2	Dwg N°	114X2425					



3D-VIEW

SL. NO	NAME	DESCRIPTION	QTY
1	105F3721	COMPONENT, COMPRESSOR DANFOSS NF7MLX	1
2	1130270A50	ASSEMBLY, CONDENSER FIN AND TUBE COIL	1
3	118U0528	COMPONENT, RECEIVER DANFOSS 100_169VS00	1
4	118U4024	ASSEMBLY, CONDENSER COOLING FAN	1
5	118U0480	ASSEMBLY, KP CONNECTION LIQUID VALVE 5/8 INCH	1
6	118U0486	ASSEMBLY, SUCTION VALVE 8.5mm	1

General Tolerances Table $\pm 1, \pm 0.5^\circ$ Roughness (μm) A • ISO 8015 ISO 1101	Drawing Status : Production print			Surface Area (m2) -- Estimated Mass (Kg) --	▽ Key characteristic ⊕ Critical characteristic According to Danfoss standard 502Z0024	
	Projection		Scale 1/4 Size A3	Material : -- Designation OP-MCHC007NFA01G		
	Revision Designer Approval	ECR-2019-11240 SAS AKS	10-10-2019 Date			Sheet 2 of 2 A.2 Dwg N° 114X2425
	Confidential: Property of Danfoss Commercial Compressors. Not to be handed over to copied or used by third party. Two or three dimensional reproduction of contents to be authorized by Danfoss CC.					A