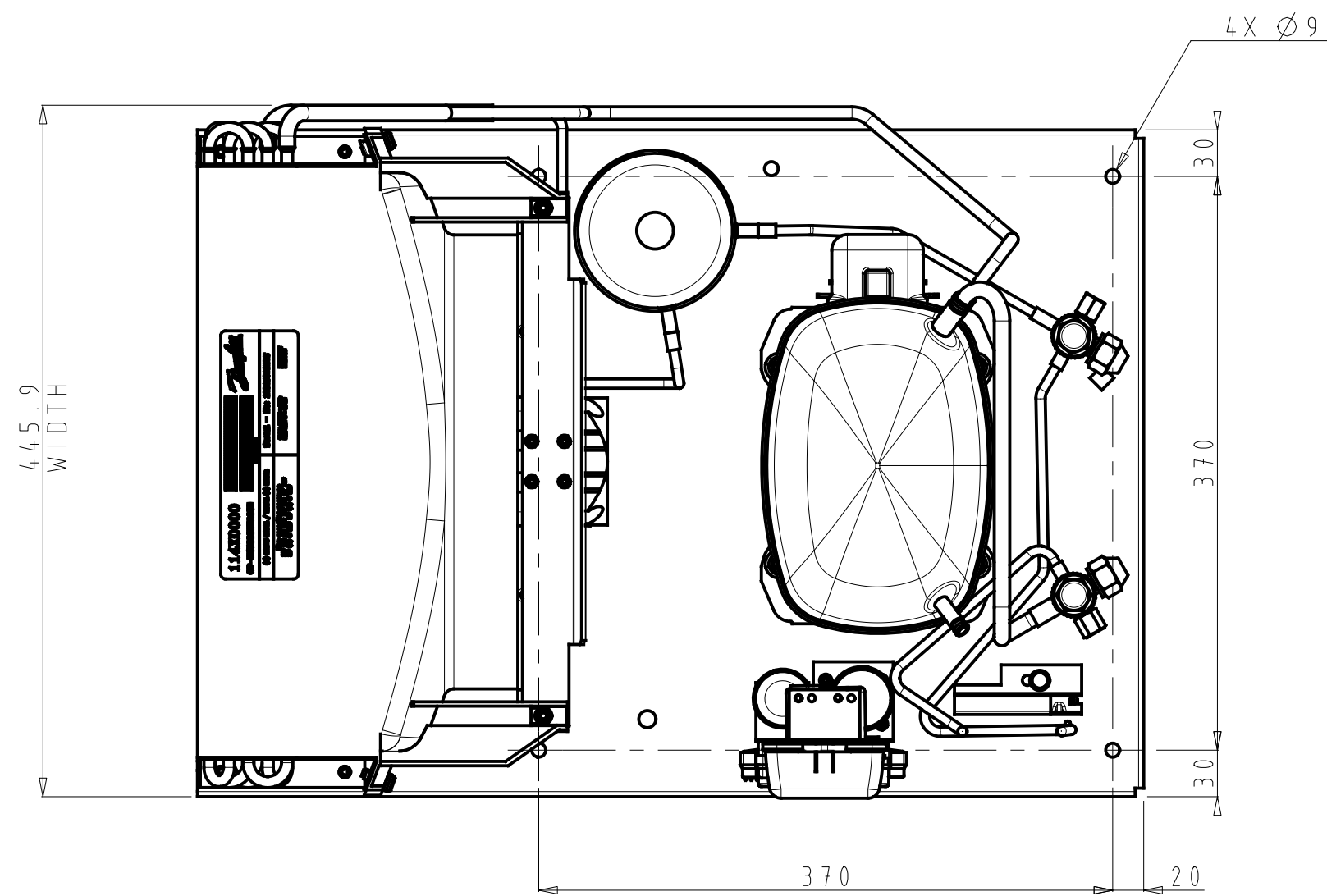


3D-VIEW

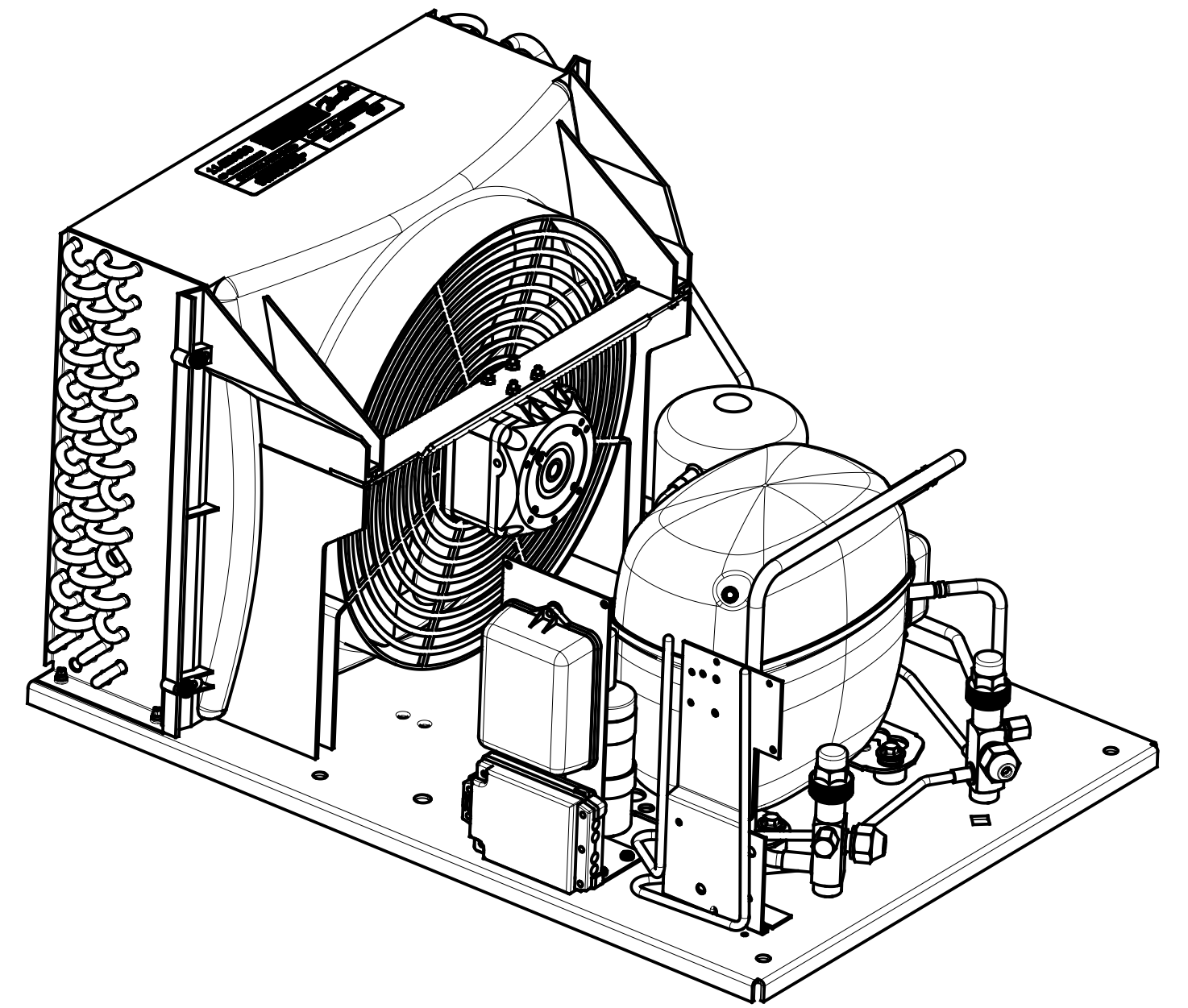
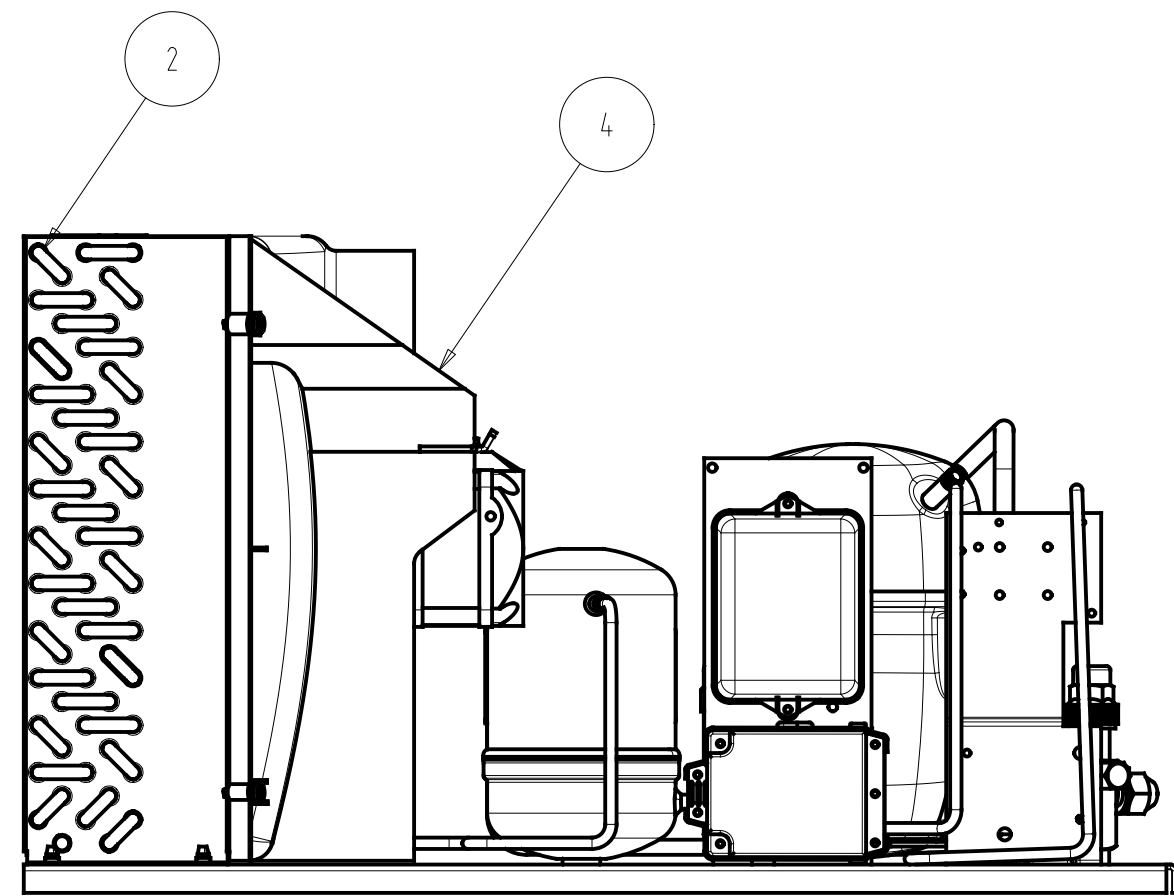


NOTE:  
1. ALL DIMENSIONS ARE IN mm.

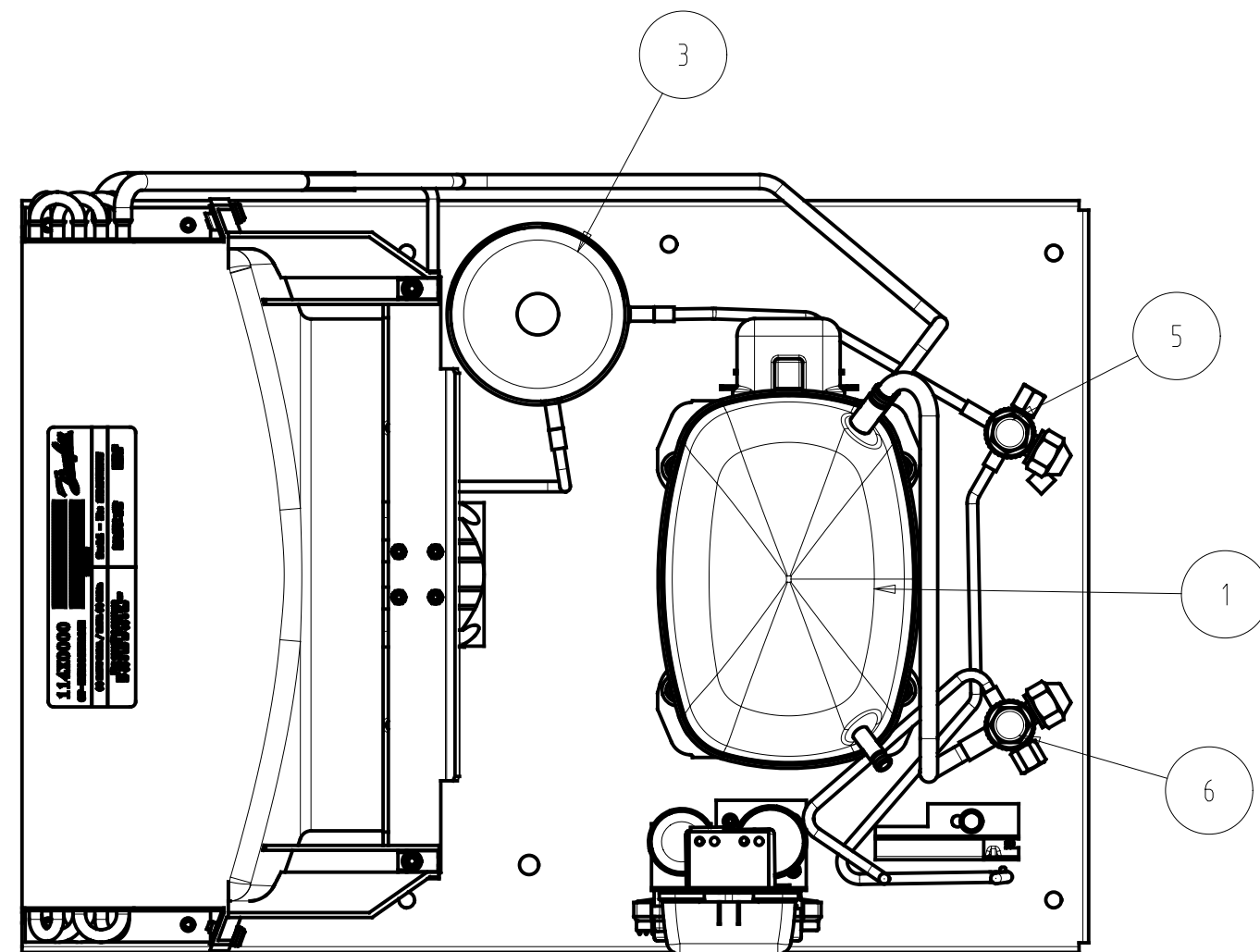
SL. NO	UNIT	DESCRIPTION	FAN	MASS (kg)
1	114X2757	OP-MCHC018SCA01G	1X300	33

General Tolerances Table	Drawing Status :			Production print		▽ Key characteristic ⊕ Critical characteristic According to Danfoss standard 50220024 Material : -- Designation <b>OP-MCHC018SCA01G</b>
	±1, ±0.5°			Surface Area (m2)	--	
Roughness (µm)	A	ECR-2019-11240	16-10-2019	Estimated Mass (Kg)	--	
	Revision	ECR Number	Date	Projection	Scale	Size
	Designer	SAS		1/4		A2
	Approval	AKS				
ISO 8015 ISO 1101	Confidential: Property of Danfoss Commercial Compressors. Not to be handed over to copied or used by third party. Two or three dimensional reproduction of contents to be authorized by Danfoss CC.					

A



3D-VIEW



SL. NO	NAME	DESCRIPTION	QTY
1	104L2139	COMPONENT, COMPRESSOR DANFOSS SC18MLX	1
2	118U0312	ASSEMBLY, CONDENSER COIL 1350382A50	1
3	118U0528	COMPONENT, RECEIVER DANFOSS 100_169VS00	1
4	118B0015	ASSEMBLY, CONDENSER FAN GRILL MOTOR	1
5	118U0480	ASSEMBLY, KP CONNECTION LIQUID VALVE 5/8 INCH	1
6	118U0487	COMPONENT, SUCTION VALVE 10mm	1

General Tolerances Table  $\pm 1, \pm 0.5^\circ$  Roughness ( $\mu\text{m}$ )  • ISO 8015 ISO 1101	Drawing Status : <b>Production print</b>			Surface Area (m2) -- Estimated Mass (Kg) --	▽ Key characteristic ⊕ Critical characteristic According to Danfoss standard 50220024	
	Projection		Scale 1/4 Size <b>A2</b>	Material : --		
	Revision Designer Approval	ECR-2019-11240 SAS AKS	16-10-2019 Date			
	Confidential: Property of Danfoss Commercial Compressors. Not to be handed over to copied or used by third party. Two or three dimensional reproduction of contents to be authorized by Danfoss CC.					
Sheet 2 of 2 A. I. Dwg N° <b>114X2757</b>			<b>A</b>			