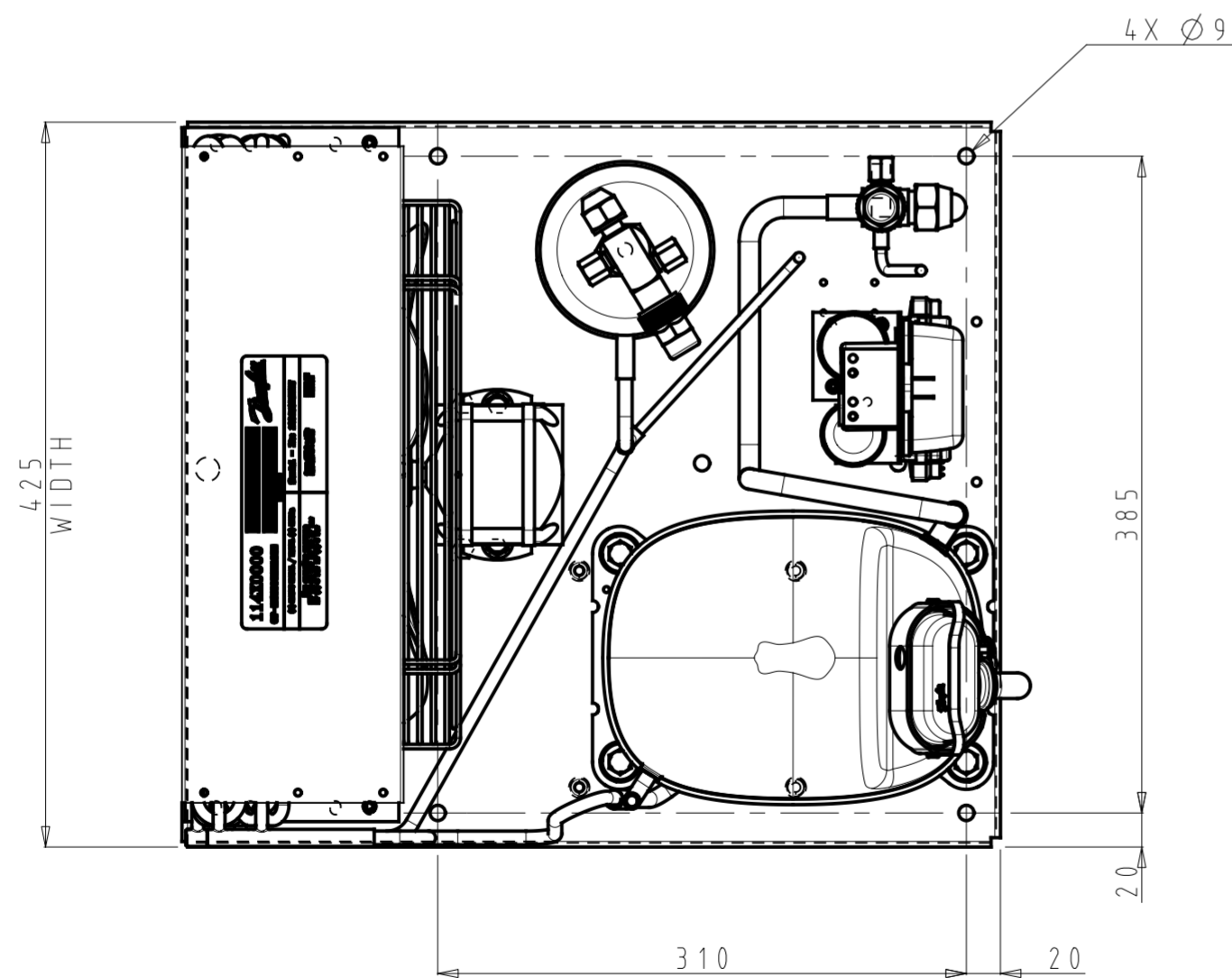


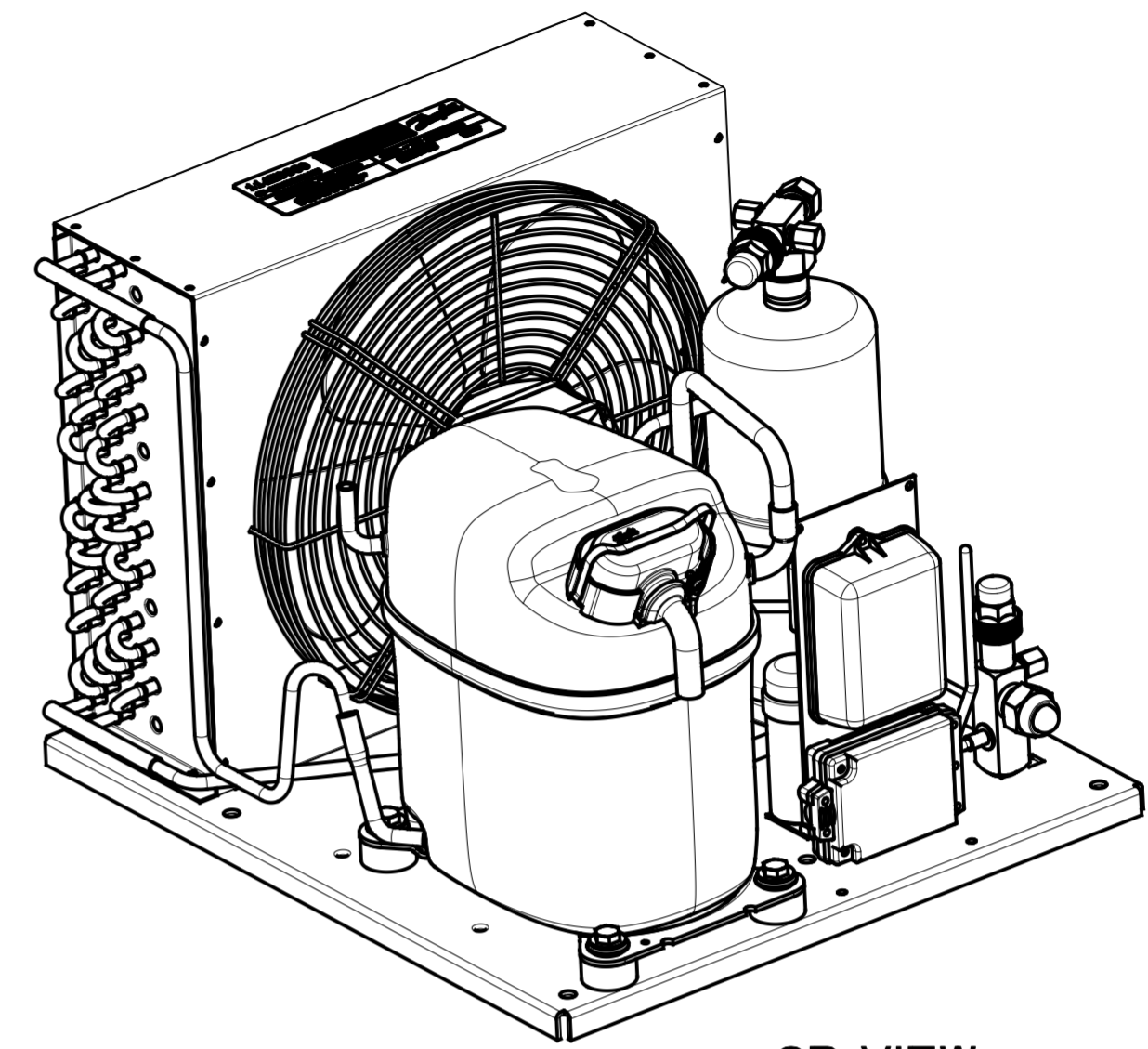
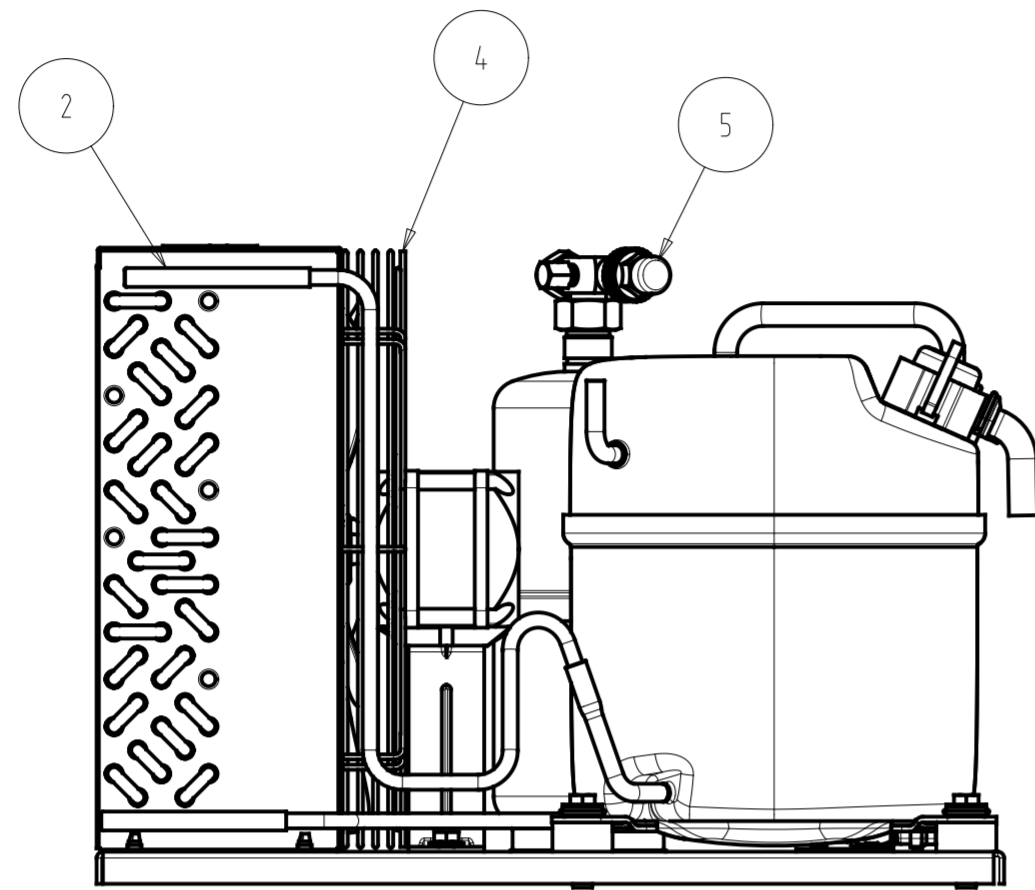
3D-VIEW



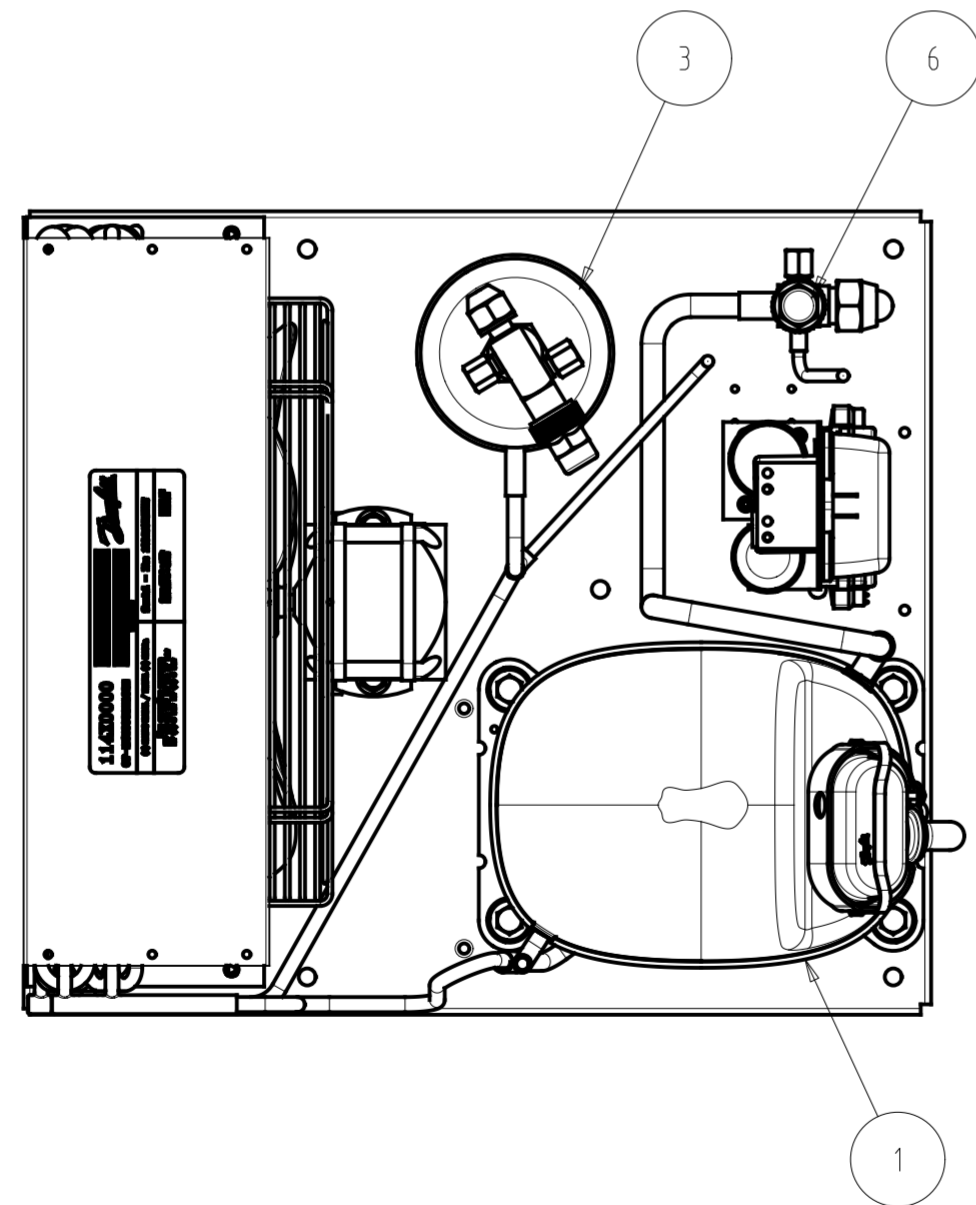
NOTE:  
1. ALL DIMENSIONS ARE IN mm.

SL. NO	UNIT	DESCRIPTION	FAN	MASS (kg)
1	114X2765	OP-MCHC021GSA01G	1X300	39.5

General Tolerances Table	Drawing Status : <b>Change in progress</b>				▽ Key characteristic ⊕ Critical characteristic According to Danfoss standard 50220024 Material : -- Designation <b>OP-MCHC021GSA01G</b>
	±1, ±0.5°	Surface Area (m2) --	Estimated Mass (Kg) --	Projection  Scale 1/4	
Roughness (µm)	A	ECR-2019-11240	29-11-2019	Size <b>A2</b>	 Sheet 1 of 2 A.2 Dwg N° <b>114X2765</b>
	Revision	ECR Number	Date		
	Designer	SAS			
	Approval	AKS			
• ISO 8015 ISO 1101 Confidential: Property of Danfoss Commercial Compressors. Not to be handed over to copied or used by third party. Two or three dimensional reproduction of contents to be authorized by Danfoss CC.					A



3D-VIEW



SL. NO	NAME	DESCRIPTION	QTY
1	107B0502	ASSEMBLY, COMPRESSOR DANFOSS GS21MLX-A-CSR05	1
2	118U0157	ASSEMBLY, CONDENSER COIL 1250360C50	1
3	118U0540	COMPONENT, RECEIVER DANFOSS 100/249VS00	1
4	118B0013	ASSEMBLY, FAN GRILL 118U0157	1
5	118U0574	COMPONENT, ROTALOCK VALVE 5/8 INCH	1
6	118U0575	COMPONENT, LIQUID VALVE 12mm	1

General Tolerances Table	Drawing Status : <b>Change in progress</b>			Surface Area (m2) -- Estimated Mass (Kg) -- Projection  Scale 1/4 Size <b>A2</b> Material : -- Designation <b>OP-MCHC02IGSA01G</b>
	±1, ±0.5°			
Roughness (µm)	A	ECR-2019-11240	29-11-2019	 Confidential: Property of Danfoss Commercial Compressors. Not to be handed over to copied or used by third party. Two or three dimensional reproduction of contents to be authorized by Danfoss CC.
	Revision	ECR Number	Date	
	Designer	SAS		
	Approval	AKS		Sheet 2 of 2 A.2 Dwg N° <b>114X2765</b>

A