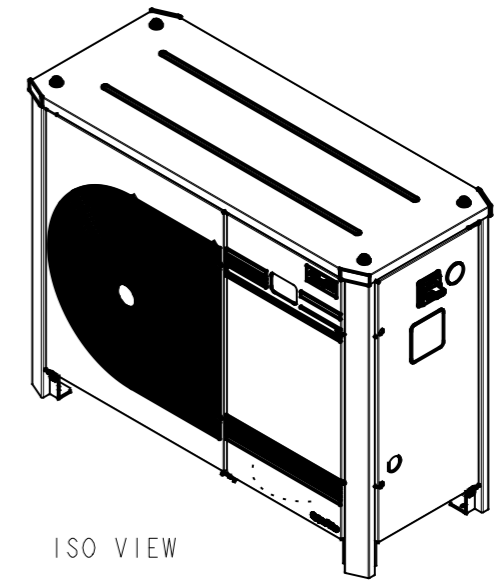
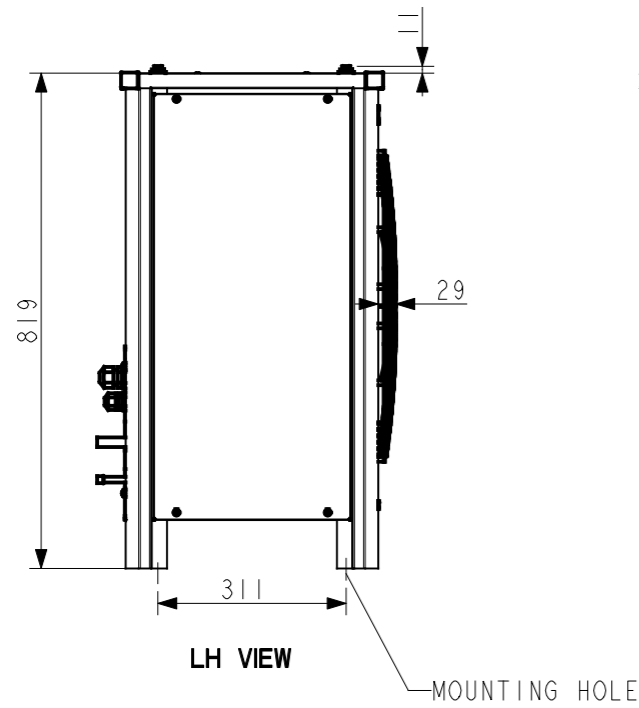


TOP VIEW

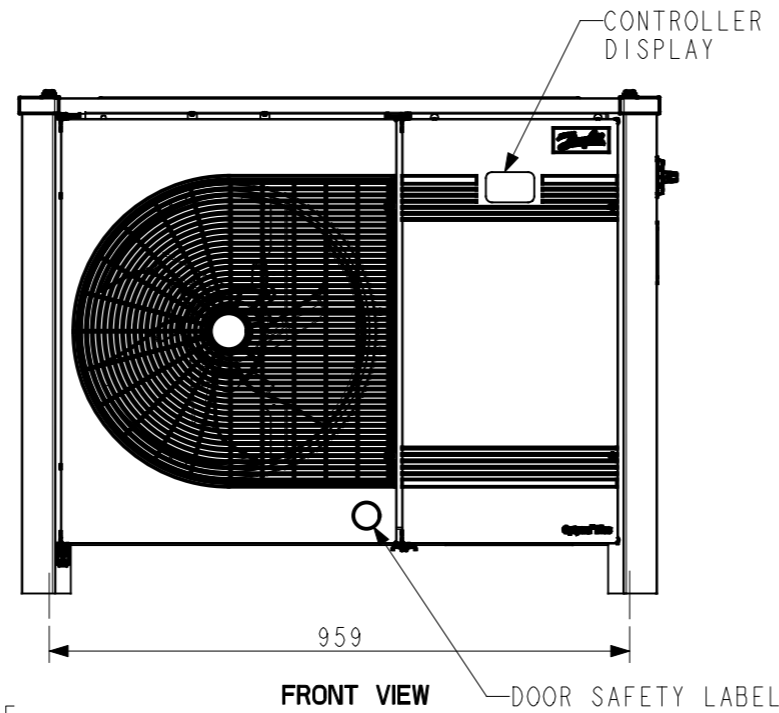


ISO VIEW



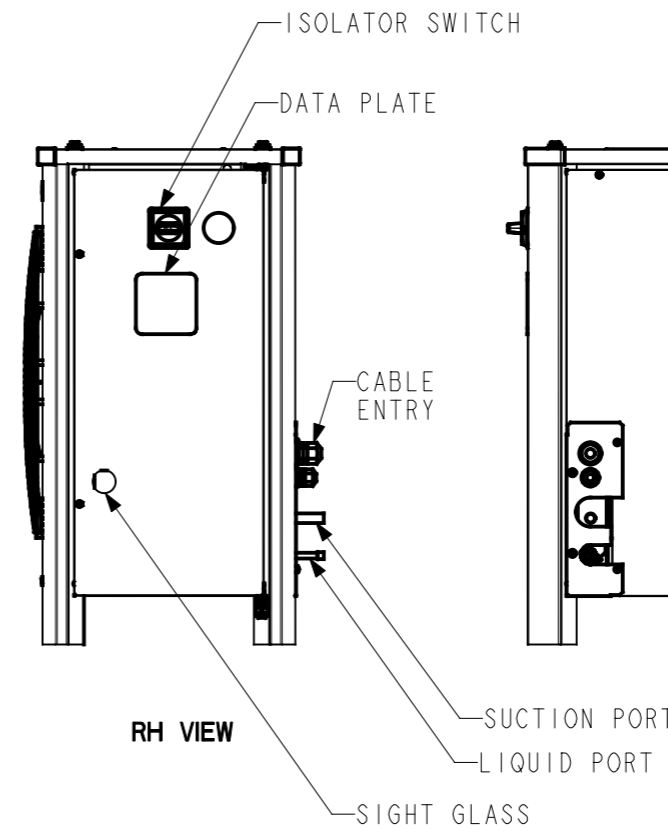
LH VIEW

MOUNTING HOLE



FRONT VIEW

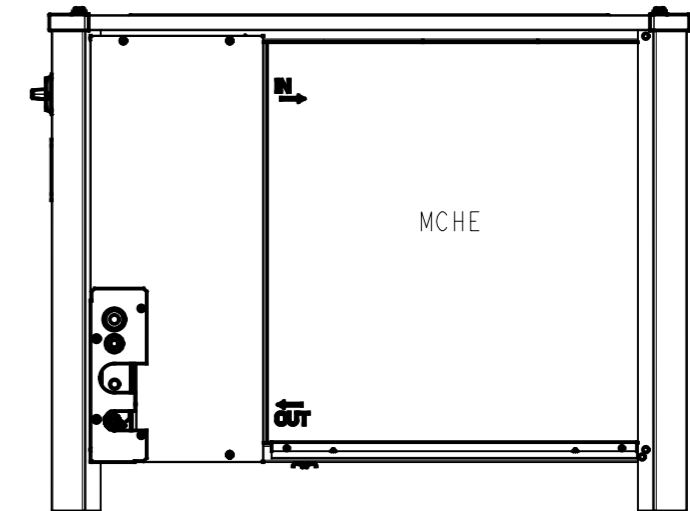
DOOR SAFETY LABEL



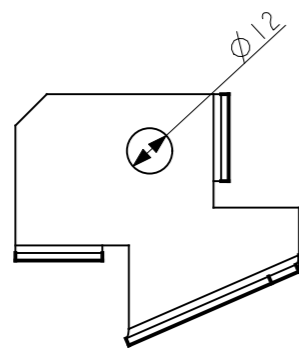
RH VIEW

SIGHT GLASS

SUCTION PORT  
LIQUID PORT



BACK VIEW



MOUNTING HOLE

General Tolerances Table	Drawing Status :			<b>PRODCUTION PRINT</b>			▽ Key characteristic ⊕ Critical characteristic According to Danfoss standard 502Z0024
				Surface Area (m2)			
				Estimated Mass (Kg)			Material : See Notes
				Projection	Scale	Size	
					-	<b>A3</b>	Designation
Roughness (µm)	AA	16-08-2018					
	Revision	ECR Number	Date				
	Designer	PRS					
	Approval	AKS		Confidential: Property of Danfoss Commercial Compressors. Not to be handed over to copied or used by third party. Two or three dimensional reproduction of contents to be authorized by Danfoss CC.			Sheet 1 of 1
				C.I	Dwg N°	<b>118A1777</b>	<b>C</b>