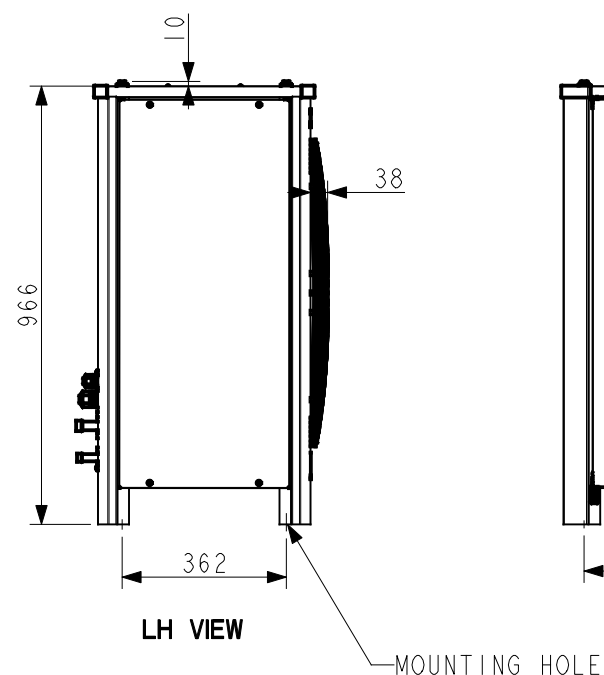
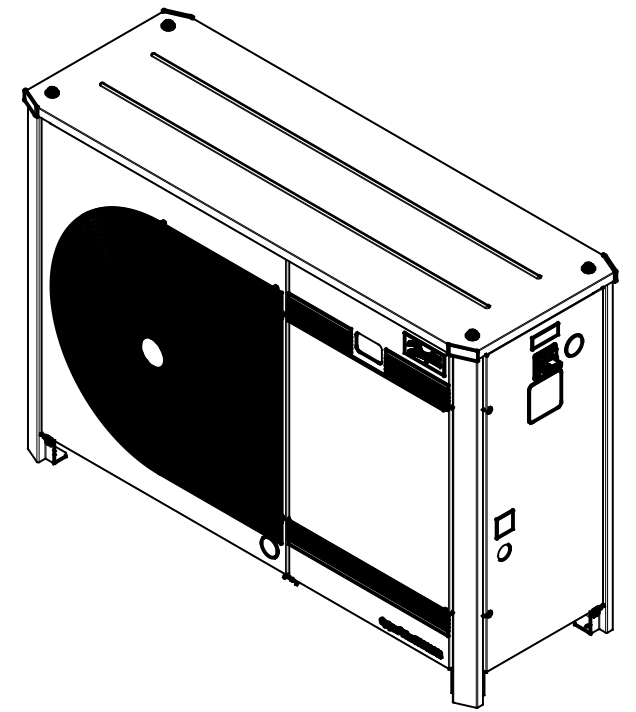
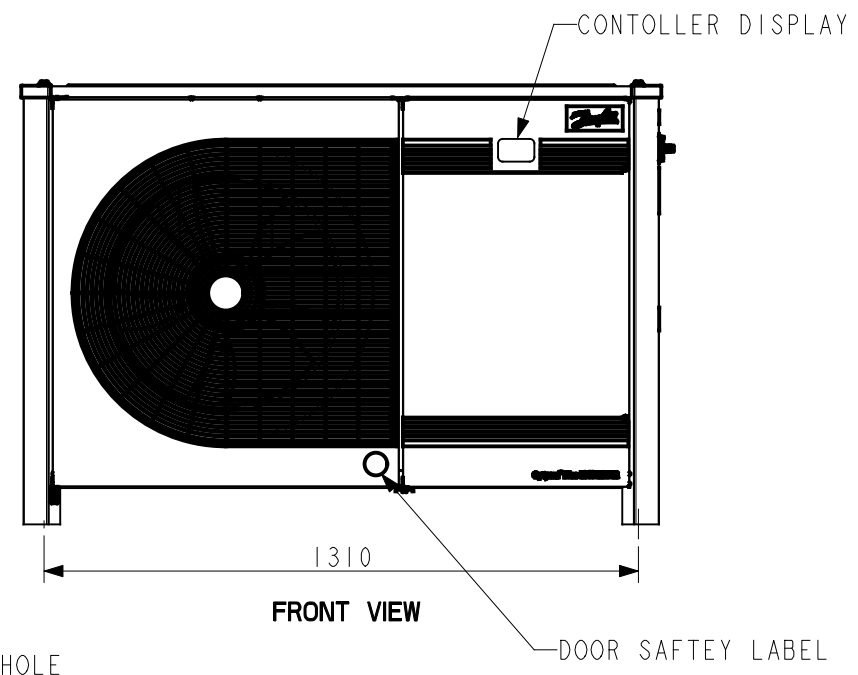


TOP VIEW



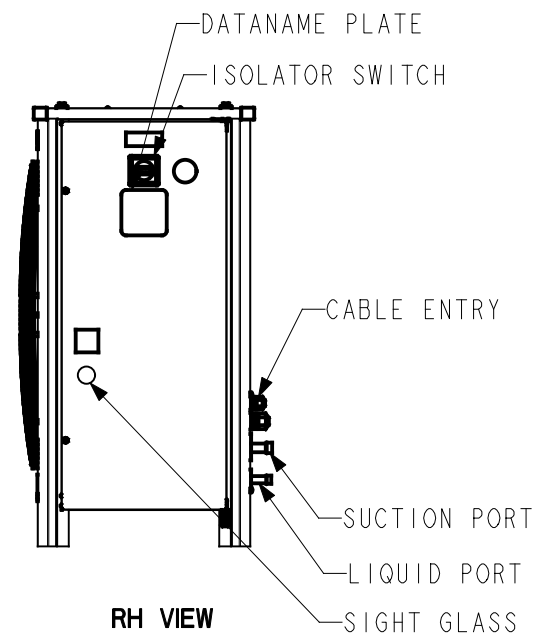
LH VIEW

MOUNTING HOLE

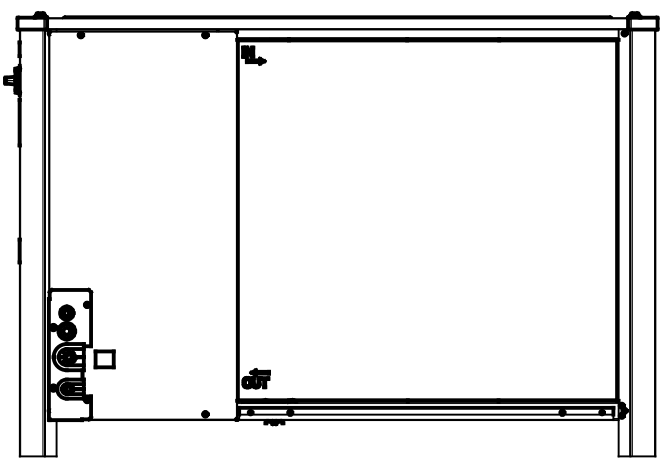


FRONT VIEW

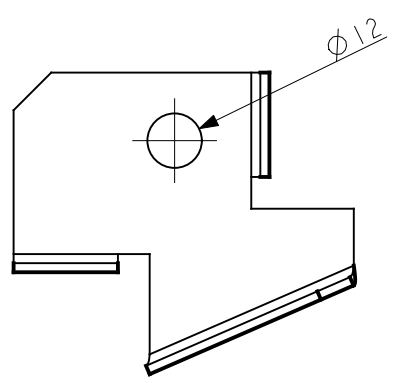
DOOR SAFETY LABEL



RH VIEW



BACK VIEW



MOUNTING HOLE

General Tolerances Table	Drawing Status :			PRODUCTION PRINT			▽ Key characteristic ⊕ Critical characteristic According to Danfoss standard 502Z0024
				Surface Area (m2)			
				Estimated Mass (Kg)			Material : See Notes
				Projection	Scale	Size	
				⊕	0.060	A3	Designation ASSEMBLY, GA.OP-H3_INV
Roughness (µm)	AA		16-07-2018				
	Revision	ECR Number	Date				
	Designer	PRS					
	Approval	AKS		Confidential: Property of Danfoss Commercial Compressors. Not to be handed over to copied or used by third party. Two or three dimensional reproduction of contents to be authorized by Danfoss CC.			Sheet 1 of 1
							B.1 Dwg N°