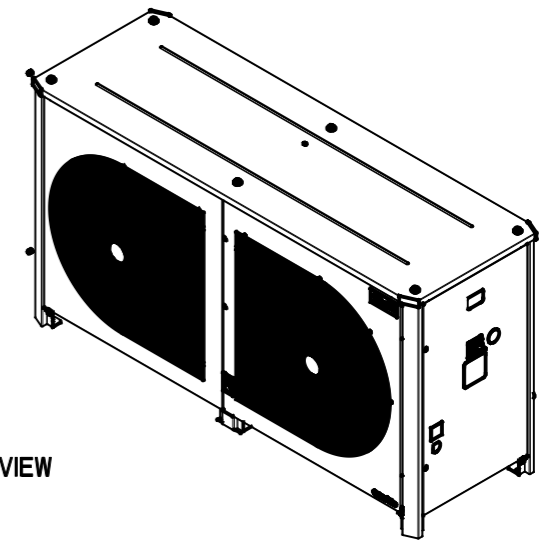
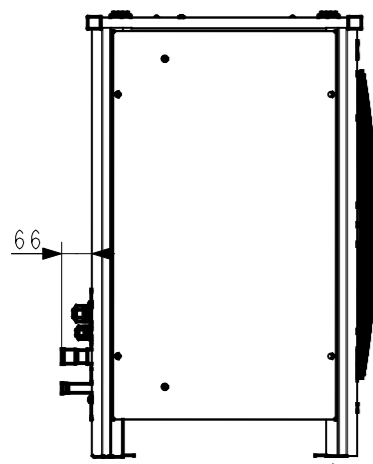


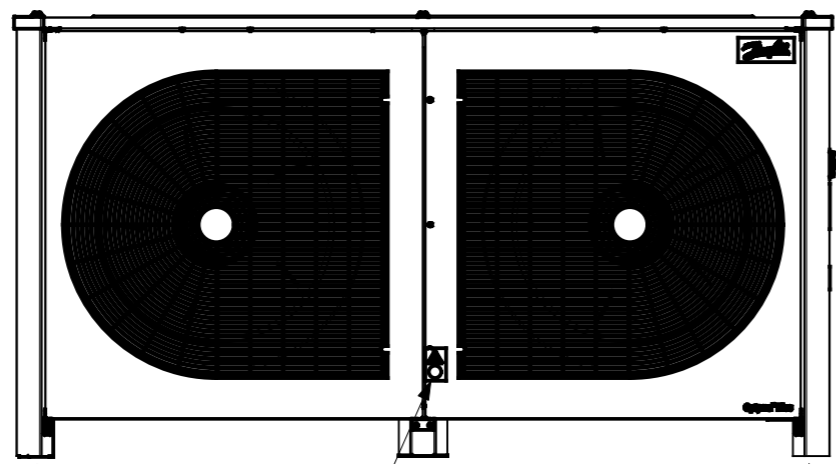
TOP VIEW



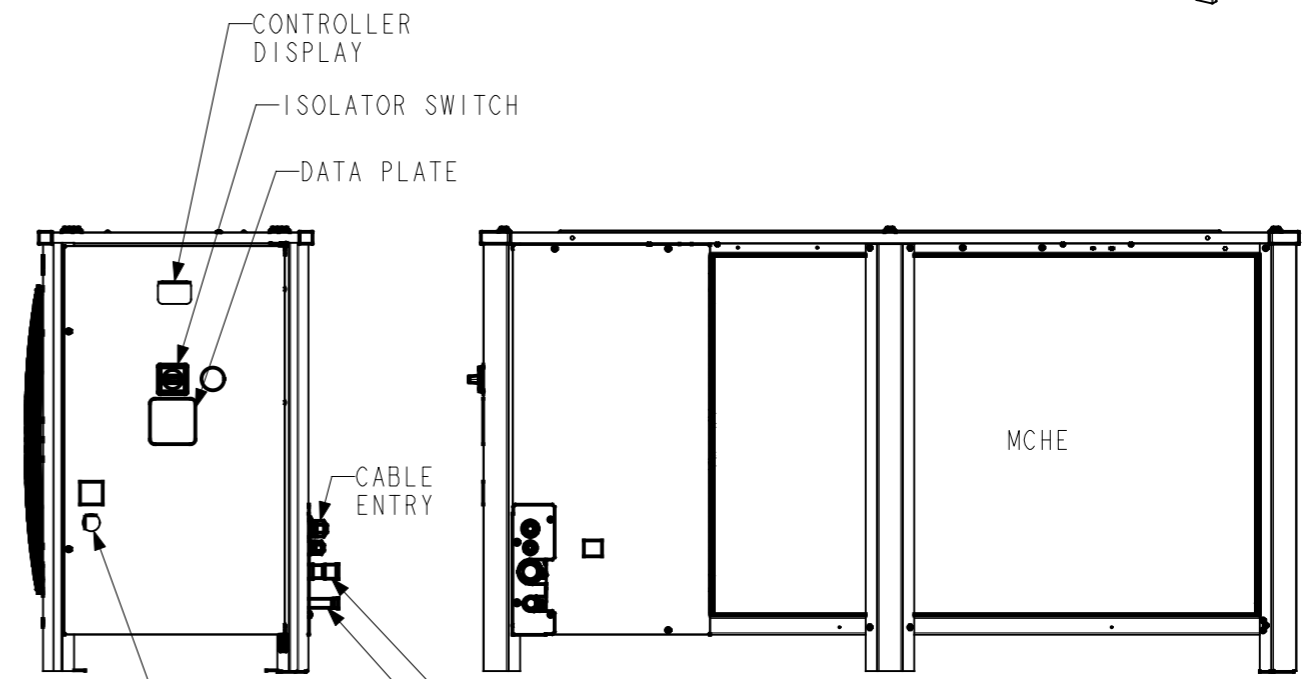
ISO VIEW



LH VIEW

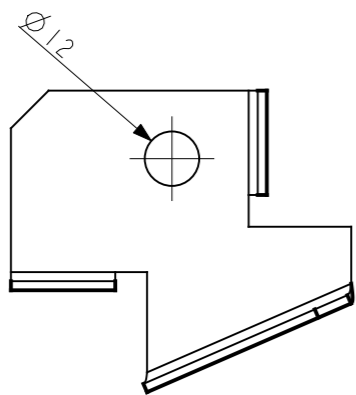


FRONT VIEW



RH VIEW

BACK VIEW



MOUNTING HOLE

General Tolerances Table	Drawing Status : <b>PRODUCTION PRINT</b>			Surface Area (m2)		▽ Key characteristic ⊕ Critical characteristic According to Danfoss standard 502Z0024
				Estimated Mass (Kg)		
Roughness (µm)	AA	07-07-2020	Projection	Scale	Size	Material : See Notes
	Revision	ECR Number	⊕	-	A3	
	Designer	PRS				
Approval	AKS	<b>ASSEMBLY, GA.OP-H4</b>				
Confidential: Property of Danfoss Commercial Compressors. Not to be handed over to copied or used by third party. Two or three dimensional reproduction of contents to be authorized by Danfoss CC.						Sheet 1 of 1
						.0 Dwg N° <b>118A1780</b>