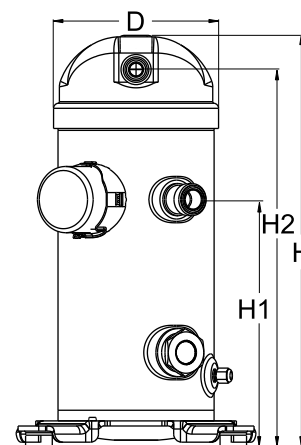


General Characteristics

Model number (on compressor nameplate)		MLZ015T4LT9
Code number for Singlepack*		121U8529
Code number for Industrial pack**		121U8528
Drawing number		0XC6290B-1
Suction and discharge connections		Rotolock
Suction connection		1-1/4 " Rotolock
Discharge connection		1 " Rotolock
Suction connection with supplied sleeve		3/4 " -
Discharge connection with supplied sleeve	- "	1/2 " -
Oil sight glass		Threaded
Oil equalisation connection		None
Oil drain connection		None
LP gauge port		None
IPR valve		None
Swept volume		33,77 cm ³ /rev
Displacement @ Nominal speed		5.9 m ³ /h @ 2900 rpm - 7.1 m ³ /h @ 3500 rpm
Net weight		31 kg
Oil charge		1,06 litre, PVE - -
Maximum system test pressure Low Side / High side		- bar(g) / - bar(g)
Maximum differential test pressure		- bar
Maximum number of starts per hour		12
Refrigerant charge limit		3,63 kg
Approved refrigerants		R404A, R507, R134a, R407A, R407C, R407F, R22

Dimensions

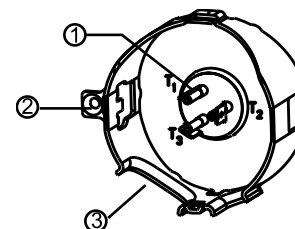


D=184 mm
H=412,1 mm
H1=249,8 mm
H2=379,4 mm
H3=- mm

Electrical Characteristics

Nominal voltage	380-400V/3/50Hz - 460V/3/60Hz
Voltage range	340-460 V @ 50Hz - 414-506 V @ 60Hz
Winding resistance between phases 1-2 +/- 7% at 25°C	6.724 Ω
Winding resistance between phases 1-3 +/- 7% at 25°C	4.952 Ω
Winding resistance between phases 2-3 +/- 7% at 25°C	6.724 Ω
Rated Load Amps (RLA)	4.5 A
Maximum Continuous Current (MCC)	7 A
Locked Rotor Amps (LRA)	30 A
Motor protection	Internal overload protector

Terminal box



IP22

- 1: Spade connectors 1/4"
- 2: Earth connection
- 3: Power cable passage

Recommended Installation torques

Oil sight glass	52,5 Nm
Power connections / Earth connection	0 Nm / 0 Nm

Parts shipped with compressor

Mounting kit with grommets and sleeves
Initial oil charge
Installation instructions

Approvals : CE certified, UL certified (file SA11565), -

*Singlepack: Compressor in cardboard box. 121U... optimised for Danfoss pallet, 120U... optimised for US pallet

**Industrial pack: 121U...: 12 unboxed compressors on Danfoss pallet. 120U...: 16 unboxed compressors on US pallet

Rotolock accessories, suction side

Code no.

Angle adapter, C04 (1-1/4" Rotolock, 3/4" ODF)	8168006
Rotolock valve, V04 (1-1/4" Rotolock, 3/4" ODF)	8168029
Gasket, 1-1/4"	8156131

Rotolock accessories, discharge side

Code no.

Angle adapter, C01 (1" Rotolock, 3/8" ODF)	8168004
Rotolock valve, V06 (1" Rotolock, 1/2" ODF)	8168031
Gasket, 1"	8156130

Rotolock accessories, sets

Code no.

Teflon seals, sleeves, nuts for discharge and suction (1" and 1"1/4)	120Z5074
Gasket set, 1", 1-1/4", 1-3/4", OSG gaskets black & white	8156009

Oil / lubricants

Code no.

PVE lubricant, 320HV (FVC68D), 1 litre can	120Z5034
--	----------

Crankcase heaters

Code no.

Belt type crankcase heater, 70 W, 240 V, CE mark, UL	120Z5040
Belt type crankcase heater, 70 W, 400/460V, CE mark, UL	120Z5041

Miscellaneous accessories

Code no.

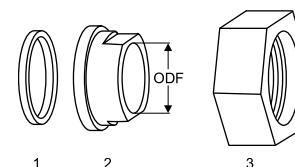
Acoustic hood	120Z5043
Discharge thermostat kit	7750009

Spare parts

Code no.

Mounting kit for 1 scroll compressor including 4 grommets, 4 sleeves, 4 bolts, 4 washers	120Z5005
--	----------

Gaskets, sleeves and nuts



- 1: Gasket
- 2: Solder sleeve
- 3: Rotolock nut

Performance data at 50 Hz, EN 12900 rating conditions, Superheat = 10 K
R22

Cond. temp. in °C (tc)	Evaporating temperature in °C (to)							
	-20	-15	-10	-5	0	5	10	

Cooling capacity in W

16	3 069	3 699	4 420	5 247	-	-	-	-	-
20	2 929	3 556	4 273	5 094	6 030	-	-	-	-
30	2 595	3 200	3 891	4 681	5 583	6 609	7 769	-	-
40	2 288	2 850	3 492	4 230	5 077	6 045	7 145	-	-
50	-	2 512	3 085	3 749	4 519	5 407	6 427	-	-
60	-	-	-	3 245	3 916	4 704	5 622	-	-
68	-	-	-	-	-	4 098	4 920	-	-

Power input in W

16	773	785	803	829	-	-	-	-	-
20	858	870	886	907	935	-	-	-	-
30	1 082	1 098	1 113	1 129	1 147	1 168	1 194	-	-
40	1 329	1 355	1 377	1 395	1 410	1 424	1 437	-	-
50	-	1 652	1 687	1 713	1 733	1 746	1 755	-	-
60	-	-	-	2 094	2 125	2 145	2 156	-	-
68	-	-	-	-	-	2 525	2 543	-	-

Current consumption in A

16	1.49	1.51	1.55	1.59	-	-	-	-	-
20	1.65	1.67	1.71	1.75	1.80	-	-	-	-
30	2.08	2.11	2.14	2.17	2.21	2.25	2.30	-	-
40	2.56	2.61	2.65	2.68	2.71	2.74	2.77	-	-
50	-	3.18	3.25	3.30	3.33	3.36	3.38	-	-
60	-	-	-	4.03	4.09	4.13	4.15	-	-
68	-	-	-	-	-	4.86	4.89	-	-

Mass flow in kg/h

16	58	69	83	98	-	-	-	-	-
20	57	69	82	97	115	-	-	-	-
30	55	67	80	96	114	133	155	-	-
40	53	65	78	94	112	132	154	-	-
50	-	62	75	91	109	129	151	-	-
60	-	-	-	86	104	124	146	-	-
68	-	-	-	-	-	117	140	-	-

Coefficient of performance (C.O.P.)

16	3.97	4.71	5.50	6.33	-	-	-	-	-
20	3.41	4.09	4.82	5.61	6.45	-	-	-	-
30	2.40	2.92	3.50	4.15	4.87	5.66	6.51	-	-
40	1.72	2.10	2.54	3.03	3.60	4.25	4.97	-	-
50	-	1.52	1.83	2.19	2.61	3.10	3.66	-	-
60	-	-	-	1.55	1.84	2.19	2.61	-	-
68	-	-	-	-	-	1.62	1.94	-	-

Nominal performance at to = -10 °C, tc = 45 °C

Cooling capacity	3 289	W
Power input	1 525	W
Current consumption	2.94	A
Mass flow	77	kg/h
C.O.P.	2.16	

Pressure switch settings

Maximum HP switch setting	29.8	bar(g)
Minimum LP switch setting	0.5	bar(g)
LP pump down setting	0.95	bar(g)

Sound power data

Sound power level	67	dB(A)
With acoustic hood	59	dB(A)

to: Evaporating temperature at dew point

tc: Condensing temperature at dew point

Rating conditions : Superheat = 10 K , Subcooling = 0 K

All performance data +/- 5%

Performance data at 50 Hz, EN 12900 rating conditions, Suction temp. = 20 °C
R22

Cond. temp. in °C (tc)	Evaporating temperature in °C (to)							
	-20	-15	-10	-5	0	5	10	

Cooling capacity in W

16	2 994	3 620	4 340	5 170	-	-	-	-	-
20	2 865	3 488	4 203	5 026	5 972	-	-	-	-
30	2 557	3 158	3 846	4 636	5 543	6 582	7 769	-	-
40	-	2 834	3 473	4 209	5 056	6 030	7 145	-	-
50	-	-	-	3 752	4 518	5 405	6 427	-	-
60	-	-	-	-	3 934	4 713	5 622	-	-
68	-	-	-	-	-	-	4 920	-	-

Power input in W

16	773	785	803	829	-	-	-	-	-
20	858	870	886	907	935	-	-	-	-
30	1 082	1 098	1 113	1 129	1 147	1 168	1 194	-	-
40	-	1 355	1 377	1 395	1 410	1 424	1 437	-	-
50	-	-	-	1 713	1 733	1 746	1 755	-	-
60	-	-	-	-	2 125	2 145	2 156	-	-
68	-	-	-	-	-	-	2 543	-	-

Current consumption in A

16	1.49	1.51	1.55	1.59	-	-	-	-	-
20	1.65	1.67	1.71	1.75	1.80	-	-	-	-
30	2.08	2.11	2.14	2.17	2.21	2.25	2.30	-	-
40	-	2.61	2.65	2.68	2.71	2.74	2.77	-	-
50	-	-	-	3.30	3.33	3.36	3.38	-	-
60	-	-	-	-	4.09	4.13	4.15	-	-
68	-	-	-	-	-	-	4.89	-	-

Mass flow in kg/h

16	51	62	76	91	-	-	-	-	-
20	50	62	75	91	109	-	-	-	-
30	48	60	74	90	108	130	155	-	-
40	-	58	72	88	107	129	154	-	-
50	-	-	-	85	104	126	151	-	-
60	-	-	-	-	99	121	146	-	-
68	-	-	-	-	-	-	140	-	-

Coefficient of performance (C.O.P.)

16	3.87	4.61	5.40	6.24	-	-	-	-	-
20	3.34	4.01	4.74	5.54	6.39	-	-	-	-
30	2.36	2.88	3.46	4.11	4.83	5.64	6.51	-	-
40	-	2.09	2.52	3.02	3.59	4.24	4.97	-	-
50	-	-	-	2.19	2.61	3.10	3.66	-	-
60	-	-	-	-	1.85	2.20	2.61	-	-
68	-	-	-	-	-	-	1.94	-	-

Nominal performance at to = -10 °C, tc = 45 °C

Cooling capacity	3 283	W
Power input	1 525	W
Current consumption	2.94	A
Mass flow	71	kg/h
C.O.P.	2.15	

Pressure switch settings

Maximum HP switch setting	29.8	bar(g)
Minimum LP switch setting	0.5	bar(g)
LP pump down setting	0.95	bar(g)

Sound power data

Sound power level	67	dB(A)
With acoustic hood	59	dB(A)

to: Evaporating temperature at dew point

tc: Condensing temperature at dew point

Rating conditions : Suction gas temp. = 20 °C , Subcooling = 0 K

All performance data +/- 5%

Performance data at 50 Hz, EN 12900 rating conditions, Superheat = 10 K
R134a

Cond. temp. in °C (tc)	Evaporating temperature in °C (to)							
	-15	-10	-5	0	5	10	15	

Cooling capacity in W

22	2 020	2 554	3 186	3 924	4 778	-	-	-	-
30	1 853	2 353	2 948	3 646	4 456	5 387	-	-	-
40	1 651	2 102	2 642	3 282	4 031	4 897	5 890	-	-
50	-	1 848	2 327	2 902	3 581	4 374	5 289	-	-
60	-	-	2 001	2 503	3 105	3 816	4 646	-	-
70	-	-	-	2 083	2 600	3 223	3 960	-	-
73	-	-	-	1 953	2 443	3 038	3 746	-	-

Power input in W

22	618	625	631	639	648	-	-	-	-
30	735	742	748	754	762	773	-	-	-
40	906	916	924	930	938	948	962	-	-
50	-	1 126	1 137	1 147	1 157	1 167	1 181	-	-
60	-	-	1 396	1 411	1 425	1 439	1 455	-	-
70	-	-	-	1 729	1 749	1 769	1 789	-	-
73	-	-	-	1 836	1 858	1 880	1 902	-	-

Current consumption in A

22	1.19	1.20	1.21	1.23	1.25	-	-	-	-
30	1.41	1.43	1.44	1.45	1.47	1.49	-	-	-
40	1.74	1.76	1.78	1.79	1.80	1.82	1.85	-	-
50	-	2.17	2.19	2.21	2.23	2.25	2.27	-	-
60	-	-	2.69	2.72	2.74	2.77	2.80	-	-
70	-	-	-	3.33	3.37	3.40	3.44	-	-
73	-	-	-	3.53	3.58	3.62	3.66	-	-

Mass flow in kg/h

22	43	54	66	80	96	-	-	-	-
30	43	53	65	79	95	113	-	-	-
40	42	52	64	78	94	112	133	-	-
50	-	52	63	77	93	111	132	-	-
60	-	-	62	75	91	109	130	-	-
70	-	-	-	73	89	107	127	-	-
73	-	-	-	73	88	106	126	-	-

Coefficient of performance (C.O.P.)

22	3.27	4.09	5.05	6.15	7.37	-	-	-	-
30	2.52	3.17	3.94	4.83	5.85	6.97	-	-	-
40	1.82	2.29	2.86	3.53	4.30	5.17	6.13	-	-
50	-	1.64	2.05	2.53	3.10	3.75	4.48	-	-
60	-	-	1.43	1.77	2.18	2.65	3.19	-	-
70	-	-	-	1.20	1.49	1.82	2.21	-	-
73	-	-	-	1.06	1.31	1.62	1.97	-	-

Nominal performance at to = -10 °C, tc = 45 °C

Cooling capacity	1 975	W
Power input	1 016	W
Current consumption	1.96	A
Mass flow	52	kg/h
C.O.P.	1.94	

Pressure switch settings

Maximum HP switch setting	23.6	bar(g)
Minimum LP switch setting	0.45	bar(g)
LP pump down setting	0.85	bar(g)

Sound power data

Sound power level	67	dB(A)
With acoustic hood	59	dB(A)

to: Evaporating temperature at dew point

tc: Condensing temperature at dew point

Rating conditions : Superheat = 10 K , Subcooling = 0 K

All performance data +/- 5%

Performance data at 50 Hz, EN 12900 rating conditions, Suction temp. = 20 °C
R134a

Cond. temp. in °C (tc)	Evaporating temperature in °C (to)							
	-15	-10	-5	0	5	10	15	

Cooling capacity in W

22	2 052	2 584	3 211	3 941	4 786	-	-	-	-
30	-	2 397	2 986	3 674	4 471	5 387	-	-	-
40	-	-	2 697	3 325	4 055	4 897	5 862	-	-
50	-	-	2 398	2 958	3 614	4 374	5 247	-	-
60	-	-	-	2 572	3 146	3 816	-	-	-
70	-	-	-	-	2 650	3 223	-	-	-
73	-	-	-	-	2 496	3 038	-	-	-

Power input in W

22	618	625	631	639	648	-	-	-	-
30	-	742	748	754	762	773	-	-	-
40	-	-	924	930	938	948	962	-	-
50	-	-	1 137	1 147	1 157	1 167	1 181	-	-
60	-	-	-	1 411	1 425	1 439	-	-	-
70	-	-	-	-	1 749	1 769	-	-	-
73	-	-	-	-	1 858	1 880	-	-	-

Current consumption in A

22	1.19	1.20	1.21	1.23	1.25	-	-	-	-
30	-	1.43	1.44	1.45	1.47	1.49	-	-	-
40	-	-	1.78	1.79	1.80	1.82	1.85	-	-
50	-	-	2.19	2.21	2.23	2.25	2.27	-	-
60	-	-	-	2.72	2.74	2.77	-	-	-
70	-	-	-	-	3.37	3.40	-	-	-
73	-	-	-	-	3.58	3.62	-	-	-

Mass flow in kg/h

22	39	49	62	76	93	-	-	-	-
30	-	49	61	76	93	113	-	-	-
40	-	-	60	75	92	112	136	-	-
50	-	-	59	74	91	111	135	-	-
60	-	-	-	72	89	109	-	-	-
70	-	-	-	-	87	107	-	-	-
73	-	-	-	-	86	106	-	-	-

Coefficient of performance (C.O.P.)

22	3.32	4.13	5.09	6.17	7.38	-	-	-	-
30	-	3.23	3.99	4.87	5.86	6.97	-	-	-
40	-	-	2.92	3.57	4.32	5.17	6.10	-	-
50	-	-	2.11	2.58	3.12	3.75	4.44	-	-
60	-	-	-	1.82	2.21	2.65	-	-	-
70	-	-	-	-	1.52	1.82	-	-	-
73	-	-	-	-	1.34	1.62	-	-	-

Nominal performance at to = -10 °C, tc = 45 °C

Cooling capacity	-	W
Power input	-	W
Current consumption	-	A
Mass flow	-	kg/h
C.O.P.	-	

to: Evaporating temperature at dew point

tc: Condensing temperature at dew point

Rating conditions : Suction gas temp. = 20 °C , Subcooling = 0 K

Pressure switch settings

Maximum HP switch setting	23.6	bar(g)
Minimum LP switch setting	0.45	bar(g)
LP pump down setting	0.85	bar(g)

Sound power data

Sound power level	67	dB(A)
With acoustic hood	59	dB(A)

All performance data +/- 5%

Performance data at 50 Hz, EN 12900 rating conditions, Suction temp. = 20 °C
R404A

Cond. temp. in °C (tc)	Evaporating temperature in °C (to)								
	-30	-25	-20	-15	-10	-5	0	5	10

Cooling capacity in W

10	2 340	2 903	3 593	4 425	5 415	-	-	-	-
20	2 090	2 625	3 258	4 006	4 885	5 911	7 100	-	-
30	1 767	2 278	2 860	3 529	4 301	5 194	6 222	7 402	8 749
40	-	1 851	2 387	2 982	3 654	4 417	5 289	6 286	7 424
50	-	-	1 829	2 356	2 931	3 571	4 292	5 111	6 044
60	-	-	-	-	2 122	2 643	3 219	3 865	4 599

Power input in W

10	783	782	765	736	696	-	-	-	-
20	977	983	976	958	933	904	876	-	-
30	1 248	1 250	1 240	1 222	1 199	1 176	1 155	1 141	1 136
40	-	1 625	1 601	1 572	1 540	1 510	1 485	1 469	1 465
50	-	-	2 103	2 050	1 997	1 949	1 908	1 879	1 864
60	-	-	-	-	2 615	2 537	2 468	2 414	2 377

Current consumption in A

10	1.61	1.61	1.58	1.52	1.44	-	-	-	-
20	2.01	2.03	2.01	1.97	1.92	1.86	1.81	-	-
30	2.57	2.58	2.56	2.52	2.47	2.42	2.38	2.35	2.34
40	-	3.35	3.30	3.24	3.18	3.11	3.06	3.03	3.02
50	-	-	4.34	4.23	4.12	4.02	3.94	3.87	3.84
60	-	-	-	-	5.39	5.23	5.09	4.98	4.90

Mass flow in kg/h

10	45	58	74	91	113	-	-	-	-
20	44	57	72	90	110	135	163	-	-
30	42	55	70	87	107	131	159	191	229
40	-	51	66	83	102	126	153	184	221
50	-	-	58	75	95	117	144	175	211
60	-	-	-	-	83	105	131	161	197

Coefficient of performance (C.O.P.)

10	2.99	3.71	4.69	6.01	7.78	-	-	-	-
20	2.14	2.67	3.34	4.18	5.24	6.54	8.11	-	-
30	1.42	1.82	2.31	2.89	3.59	4.42	5.39	6.49	7.70
40	-	1.14	1.49	1.90	2.37	2.93	3.56	4.28	5.07
50	-	-	0.87	1.15	1.47	1.83	2.25	2.72	3.24
60	-	-	-	-	0.81	1.04	1.30	1.60	1.93

Nominal performance at to = -10 °C, tc = 45 °C

Cooling capacity	3 302	W
Power input	1 751	W
Current consumption	3.61	A
Mass flow	99	kg/h
C.O.P.	1.89	

Pressure switch settings

Maximum HP switch setting	29.7	bar(g)
Minimum LP switch setting	1.4	bar(g)
LP pump down setting	2	bar(g)

Sound power data

Sound power level	67	dB(A)
With acoustic hood	59	dB(A)

to: Evaporating temperature at dew point

tc: Condensing temperature at dew point

Rating conditions : Suction gas temp. = 20 °C , Subcooling = 0 K

All performance data +/- 5%

Performance data at 50 Hz, EN 12900 rating conditions, Superheat = 10 K
R404A

Cond. temp. in °C (tc)	Evaporating temperature in °C (to)								
	-30	-25	-20	-15	-10	-5	0	5	10

Cooling capacity in W

10	2 248	2 810	3 501	4 339	5 342	-	-	-	-
20	1 966	2 493	3 124	3 876	4 767	5 814	7 032	-	-
30	1 616	2 111	2 686	3 356	4 140	5 055	6 119	7 346	8 749
40	1 197	1 661	2 180	2 771	3 451	4 239	5 152	6 209	7 424
50	-	-	1 605	2 117	2 695	3 358	4 124	5 013	6 044
60	-	-	-	-	1 867	2 405	3 024	3 748	4 599

Power input in W

10	783	782	765	736	696	-	-	-	-
20	977	983	976	958	933	904	876	-	-
30	1 248	1 250	1 240	1 222	1 199	1 176	1 155	1 141	1 136
40	1 640	1 625	1 601	1 572	1 540	1 510	1 485	1 469	1 465
50	-	-	2 103	2 050	1 997	1 949	1 908	1 879	1 864
60	-	-	-	-	2 615	2 537	2 468	2 414	2 377

Current consumption in A

10	1.61	1.61	1.58	1.52	1.44	-	-	-	-
20	2.01	2.03	2.01	1.97	1.92	1.86	1.81	-	-
30	2.57	2.58	2.56	2.52	2.47	2.42	2.38	2.35	2.34
40	3.38	3.35	3.30	3.24	3.18	3.11	3.06	3.03	3.02
50	-	-	4.34	4.23	4.12	4.02	3.94	3.87	3.84
60	-	-	-	-	5.39	5.23	5.09	4.98	4.90

Mass flow in kg/h

10	53	68	84	103	124	-	-	-	-
20	52	67	83	101	122	145	172	-	-
30	50	64	80	98	119	142	168	197	229
40	44	59	76	93	113	136	161	190	221
50	-	-	67	85	105	127	152	180	211
60	-	-	-	-	92	114	139	166	197

Coefficient of performance (C.O.P.)

10	2.87	3.59	4.57	5.90	7.67	-	-	-	-
20	2.01	2.54	3.20	4.05	5.11	6.43	8.03	-	-
30	1.29	1.69	2.17	2.75	3.45	4.30	5.30	6.44	7.70
40	0.73	1.02	1.36	1.76	2.24	2.81	3.47	4.23	5.07
50	-	-	0.76	1.03	1.35	1.72	2.16	2.67	3.24
60	-	-	-	-	0.71	0.95	1.23	1.55	1.93

Nominal performance at to = -10 °C, tc = 45 °C

Cooling capacity	3 082	W
Power input	1 751	W
Current consumption	3.61	A
Mass flow	109	kg/h
C.O.P.	1.76	

Pressure switch settings

Maximum HP switch setting	29.7	bar(g)
Minimum LP switch setting	1.4	bar(g)
LP pump down setting	2	bar(g)

Sound power data

Sound power level	67	dB(A)
With acoustic hood	59	dB(A)

to: Evaporating temperature at dew point

tc: Condensing temperature at dew point

Rating conditions : Superheat = 10 K , Subcooling = 0 K

All performance data +/- 5%

Performance data at 50 Hz, EN 12900 rating conditions
R407F

Cond. temp. in °C (tc)	Evaporating temperature in °C (to)							
	-23	-20	-15	-10	-5	0	5	10

Cooling capacity in W

10	2 830	3 231	4 001	4 914	-	-	-	-	-
20	2 552	2 933	3 667	4 537	5 561	6 754	-	-	-
30	2 233	2 586	3 268	4 080	5 039	6 162	7 465	8 965	-
40	1 886	2 202	2 816	3 555	4 434	5 472	6 683	8 085	-
45	-	-	2 575	3 271	4 105	5 094	6 253	7 600	-
50	-	-	-	2 976	3 760	4 696	5 801	7 089	-
55	-	-	-	-	3 402	4 281	5 326	6 552	-
60	-	-	-	-	-	-	-	-	-

Power input in W

10	786	788	790	790	-	-	-	-	-
20	953	959	965	969	972	973	-	-	-
30	1 160	1 171	1 185	1 194	1 201	1 206	1 209	1 213	-
40	1 426	1 443	1 466	1 484	1 497	1 507	1 514	1 520	-
45	-	-	1 636	1 659	1 676	1 689	1 699	1 707	-
50	-	-	-	1 857	1 879	1 896	1 909	1 919	-
55	-	-	-	-	2 107	2 129	2 146	2 159	-
60	-	-	-	-	-	-	-	-	-

Current consumption in A

10	1.82	1.84	1.87	1.88	-	-	-	-	-
20	2.40	2.42	2.45	2.46	2.47	2.47	-	-	-
30	2.73	2.75	2.78	2.80	2.81	2.81	2.82	2.83	-
40	3.03	3.05	3.08	3.09	3.10	3.10	3.11	3.12	-
45	-	-	3.27	3.28	3.29	3.30	3.30	3.31	-
50	-	-	-	3.54	3.55	3.55	3.56	3.57	-
55	-	-	-	-	3.90	3.90	3.90	3.91	-
60	-	-	-	-	-	-	-	-	-

Mass flow in kg/h

10	49	56	69	83	-	-	-	-	-
20	48	55	68	83	100	120	-	-	-
30	46	53	66	81	98	119	142	169	-
40	43	49	62	77	95	115	139	166	-
45	-	-	60	75	93	113	137	164	-
50	-	-	-	72	90	110	134	161	-
55	-	-	-	-	86	107	131	158	-
60	-	-	-	-	-	-	-	-	-

Coefficient of performance (C.O.P.)

10	3.60	4.10	5.07	6.22	-	-	-	-	-
20	2.68	3.06	3.80	4.68	5.72	6.94	-	-	-
30	1.92	2.21	2.76	3.42	4.20	5.11	6.17	7.39	-
40	1.32	1.53	1.92	2.40	2.96	3.63	4.41	5.32	-
45	-	-	1.57	1.97	2.45	3.02	3.68	4.45	-
50	-	-	-	1.60	2.00	2.48	3.04	3.69	-
55	-	-	-	-	1.61	2.01	2.48	3.04	-
60	-	-	-	-	-	-	-	-	-

Nominal performance at to = -10 °C, tc = 45 °C

Cooling capacity	3 271	W
Power input	1 659	W
Current consumption	3.28	A
Mass flow	75	kg/h
C.O.P.	1.97	

Pressure switch settings

Maximum HP switch setting	29.7	bar(g)
Minimum LP switch setting	1.4	bar(g)
LP pump down setting	2	bar(g)

Sound power data

Sound power level	67	dB(A)
With acoustic hood	59	dB(A)

to: Evaporating temperature at dew point

tc: Condensing temperature at dew point

Rating conditions : Superheat = 10 K , Subcooling = 0 K

All performance data +/- 5%

Danfoss can accept no responsibility for possible errors in catalogues, brochures and other printed material. Danfoss reserves the right to alter its products without notice. This also applies to products already on order provided that such alternations can be made without subsequential changes being necessary in specifications already agreed. All trademarks in this material are property of the respective companies. Danfoss and the Danfoss logotype are trademarks of Danfoss A/S. All rights reserved.

Performance data at 50 Hz, ARI rating conditions
R407F

Cond. temp. in °C (tc)	Evaporating temperature in °C (to)							
	-23	-20	-15	-10	-5	0	5	10

Cooling capacity in W

10	2 991	3 413	4 223	5 184	-	-	-	-	-
20	2 713	3 117	3 894	4 814	5 895	7 155	-	-	-
30	2 392	2 769	3 495	4 359	5 379	6 572	7 956	9 546	-
40	-	2 380	3 041	3 834	4 777	5 888	7 185	8 683	-
45	-	-	2 797	3 549	4 448	5 513	6 760	8 208	-
50	-	-	-	3 252	4 104	5 118	6 313	7 706	-
55	-	-	-	-	-	4 706	5 846	7 181	-
60	-	-	-	-	-	-	-	-	-

Power input in W

10	786	788	790	790	-	-	-	-	-
20	953	959	965	969	972	973	-	-	-
30	1 160	1 171	1 185	1 194	1 201	1 206	1 209	1 213	-
40	-	1 443	1 466	1 484	1 497	1 507	1 514	1 520	-
45	-	-	1 636	1 659	1 676	1 689	1 699	1 707	-
50	-	-	-	1 857	1 879	1 896	1 909	1 919	-
55	-	-	-	-	-	2 129	2 146	2 159	-
60	-	-	-	-	-	-	-	-	-

Current consumption in A

10	1.82	1.84	1.87	1.88	-	-	-	-	-
20	2.40	2.42	2.45	2.46	2.47	2.47	-	-	-
30	2.73	2.75	2.78	2.80	2.81	2.81	2.82	2.83	-
40	-	3.05	3.08	3.09	3.10	3.10	3.11	3.12	-
45	-	-	3.27	3.28	3.29	3.30	3.30	3.31	-
50	-	-	-	3.54	3.55	3.55	3.56	3.57	-
55	-	-	-	-	-	3.90	3.90	3.91	-
60	-	-	-	-	-	-	-	-	-

Mass flow in kg/h

10	49	56	68	83	-	-	-	-	-
20	48	55	67	82	99	119	-	-	-
30	46	52	65	80	98	118	141	168	-
40	-	49	62	77	94	115	138	165	-
45	-	-	60	74	92	112	136	163	-
50	-	-	-	72	89	110	133	160	-
55	-	-	-	-	-	106	130	157	-
60	-	-	-	-	-	-	-	-	-

Coefficient of performance (C.O.P.)

10	3.81	4.33	5.35	6.56	-	-	-	-	-
20	2.85	3.25	4.03	4.97	6.07	7.35	-	-	-
30	2.06	2.36	2.95	3.65	4.48	5.45	6.58	7.87	-
40	-	1.65	2.07	2.58	3.19	3.91	4.74	5.71	-
45	-	-	1.71	2.14	2.65	3.26	3.98	4.81	-
50	-	-	-	1.75	2.18	2.70	3.31	4.02	-
55	-	-	-	-	-	2.21	2.72	3.33	-
60	-	-	-	-	-	-	-	-	-

Nominal performance at to = -10 °C, tc = 45 °C

Cooling capacity	3 549	W
Power input	1 659	W
Current consumption	3.28	A
Mass flow	74	kg/h
C.O.P.	2.14	

Pressure switch settings

Maximum HP switch setting	29.7	bar(g)
Minimum LP switch setting	1.4	bar(g)
LP pump down setting	2	bar(g)

Sound power data

Sound power level	67	dB(A)
With acoustic hood	59	dB(A)

to: Evaporating temperature at dew point

tc: Condensing temperature at dew point

Rating conditions : Superheat = 11.1 K , Subcooling = 8.3 K

All performance data +/- 5%

Danfoss can accept no responsibility for possible errors in catalogues, brochures and other printed material. Danfoss reserves the right to alter its products without notice. This also applies to products already on order provided that such alternations can be made without subsequential changes being necessary in specifications already agreed. All trademarks in this material are property of the respective companies. Danfoss and the Danfoss logotype are trademarks of Danfoss A/S. All rights reserved.