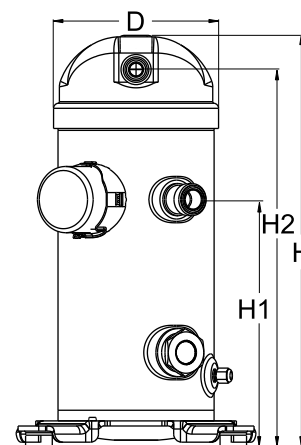


General Characteristics

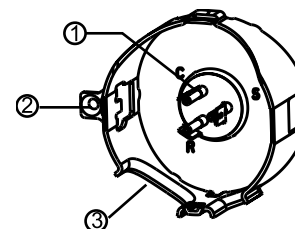
Model number (on compressor nameplate)		MLZ015T5LT9
Code number for Singlepack*		121U8521
Code number for Industrial pack**		121U8520
Drawing number		0XC6290B-1
Suction and discharge connections		Rotolock
Suction connection		1-1/4 " Rotolock
Discharge connection		1 " Rotolock
Suction connection with supplied sleeve		3/4 " -
Discharge connection with supplied sleeve	- "	1/2 " -
Oil sight glass		Threaded
Oil equalisation connection		None
Oil drain connection		None
LP gauge port		None
IPR valve		None
Swept volume		33,77 cm ³ /rev
Displacement @ Nominal speed		5.9 m ³ /h @ 2900 rpm
Net weight		31 kg
Oil charge		1,06 litre, PVE - -
Maximum system test pressure Low Side / High side		- bar(g) / - bar(g)
Maximum differential test pressure		- bar
Maximum number of starts per hour		12
Refrigerant charge limit		3,63 kg
Approved refrigerants		R404A, R507, R134a, R407A, R407C, R407F, R22

Dimensions


D=184 mm
H=412,1 mm
H1=249,8 mm
H2=379,4 mm
H3=- mm

Electrical Characteristics

Nominal voltage	230V/1/50Hz
Voltage range	207-253 V
Winding resistance (main / start) at 25°C	1,016 Ω / 1,599 Ω
Run capacitors A + C	40 μF + - μF
Start capacitor B	145-175 μF
Start relay	RVA9CKL
Rated Load Amps (RLA)	12.2 A
Maximum Continuous Current (MCC)	19 A
Locked Rotor Amps (LRA)	60 A
Motor protection	Internal overload protector

Terminal box


IP22

- 1: Spade connectors 1/4"
- 2: Earth connection
- 3: Power cable passage

Recommended Installation torques

Oil sight glass	52,5 Nm
Power connections / Earth connection	0 Nm / 0 Nm

Parts shipped with compressor

Mounting kit with grommets and sleeves
Initial oil charge
Installation instructions

Approvals : CE certified, -, -

*Singlepack: Compressor in cardboard box. 121U... optimised for Danfoss pallet, 120U... optimised for US pallet

**Industrial pack: 121U...: 12 unboxed compressors on Danfoss pallet. 120U...: 16 unboxed compressors on US pallet

Rotolock accessories, suction side

Code no.

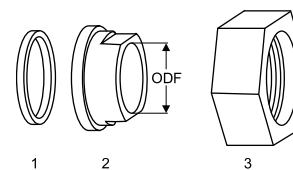
Angle adapter, C04 (1-1/4" Rotolock, 3/4" ODF)	8168006
Rotolock valve, V04 (1-1/4" Rotolock, 3/4" ODF)	8168029
Gasket, 1-1/4"	8156131

Gaskets, sleeves and nuts

Rotolock accessories, discharge side

Code no.

Angle adapter, C01 (1" Rotolock, 3/8" ODF)	8168004
Rotolock valve, V06 (1" Rotolock, 1/2" ODF)	8168031
Gasket, 1"	8156130



1

2

3

- 1: Gasket
- 2: Solder sleeve
- 3: Rotolock nut

Rotolock accessories, sets

Code no.

Teflon seals, sleeves, nuts for discharge and suction (1" and 1 1/4")	120Z5074
Gasket set, 1", 1-1/4", 1-3/4", OSG gaskets black & white	8156009

Oil / lubricants

Code no.

PVE lubricant, 320HV (FVC68D), 1 litre can	120Z5034
--	----------

Crankcase heaters

Code no.

Belt type crankcase heater, 70 W, 240 V, CE mark, UL	120Z5040
--	----------

Miscellaneous accessories

Code no.

Acoustic hood	120Z5043
Discharge thermostat kit	7750009

Spare parts

Code no.

Mounting kit for 1 scroll compressor including 4 grommets, 4 sleeves, 4 bolts, 4 washers	120Z5005
--	----------

Performance data at 50 Hz, EN 12900 rating conditions, Superheat = 10 K

R22

Cond. temp. in °C (tc)	Evaporating temperature in °C (to)							
	-20	-15	-10	-5	0	5	10	

Cooling capacity in W

16	3 097	3 710	4 422	5 254	-	-	-	-	-
20	2 951	3 559	4 260	5 077	6 033	-	-	-	-
30	2 618	3 207	3 876	4 651	5 553	6 603	7 820	-	-
40	2 311	2 872	3 502	4 226	5 067	6 047	7 184	-	-
50	-	2 528	3 111	3 776	4 548	5 449	6 501	-	-
60	-	-	-	3 278	3 972	4 787	5 745	-	-
68	-	-	-	-	-	4 194	5 071	-	-

Power input in W

16	990	985	980	979	-	-	-	-	-
20	1 014	1 017	1 019	1 023	1 031	-	-	-	-
30	1 145	1 163	1 178	1 191	1 204	1 220	1 240	-	-
40	1 381	1 409	1 430	1 446	1 458	1 470	1 482	-	-
50	-	1 759	1 780	1 792	1 799	1 800	1 799	-	-
60	-	-	-	2 238	2 231	2 217	2 197	-	-
68	-	-	-	-	-	2 616	2 576	-	-

Current consumption in A

16	5.29	5.27	5.24	5.23	-	-	-	-	-
20	5.42	5.44	5.45	5.47	5.51	-	-	-	-
30	6.12	6.22	6.30	6.37	6.44	6.52	6.63	-	-
40	7.38	7.53	7.65	7.73	7.80	7.86	7.93	-	-
50	-	9.41	9.52	9.59	9.62	9.63	9.62	-	-
60	-	-	-	11.97	11.93	11.86	11.75	-	-
68	-	-	-	-	-	13.99	13.78	-	-

Mass flow in kg/h

16	59	70	83	98	-	-	-	-	-
20	59	70	82	97	114	-	-	-	-
30	57	68	81	96	113	133	156	-	-
40	54	66	79	94	112	132	154	-	-
50	-	62	76	92	109	129	152	-	-
60	-	-	-	87	105	126	149	-	-
68	-	-	-	-	-	122	145	-	-

Coefficient of performance (C.O.P.)

16	3.13	3.77	4.51	5.37	-	-	-	-	-
20	2.91	3.50	4.18	4.96	5.85	-	-	-	-
30	2.29	2.76	3.29	3.91	4.61	5.41	6.31	-	-
40	1.67	2.04	2.45	2.92	3.47	4.11	4.85	-	-
50	-	1.44	1.75	2.11	2.53	3.03	3.61	-	-
60	-	-	-	1.46	1.78	2.16	2.62	-	-
68	-	-	-	-	-	1.60	1.97	-	-

Nominal performance at to = -10 °C, tc = 45 °C

Cooling capacity	3 310	W
Power input	1 592	W
Current consumption	8.51	A
Mass flow	78	kg/h
C.O.P.	2.08	

Pressure switch settings

Maximum HP switch setting	29.8	bar(g)
Minimum LP switch setting	0.5	bar(g)
LP pump down setting	0.95	bar(g)

Sound power data

Sound power level	67	dB(A)
With acoustic hood	59	dB(A)

to: Evaporating temperature at dew point

tc: Condensing temperature at dew point

Rating conditions : Superheat = 10 K , Subcooling = 0 K

All performance data +/- 5%

Performance data at 50 Hz, EN 12900 rating conditions, Suction temp. = 20 °C
R22

Cond. temp. in °C (tc)	Evaporating temperature in °C (to)							
	-20	-15	-10	-5	0	5	10	

Cooling capacity in W

16	3 022	3 631	4 341	5 176	-	-	-	-	-
20	2 887	3 490	4 190	5 010	5 974	-	-	-	-
30	2 580	3 165	3 832	4 607	5 514	6 577	7 820	-	-
40	-	2 855	3 483	4 205	5 047	6 032	7 184	-	-
50	-	-	-	3 779	4 547	5 447	6 501	-	-
60	-	-	-	-	3 991	4 797	5 745	-	-
68	-	-	-	-	-	-	5 071	-	-

Power input in W

16	990	985	980	979	-	-	-	-	-
20	1 014	1 017	1 019	1 023	1 031	-	-	-	-
30	1 145	1 163	1 178	1 191	1 204	1 220	1 240	-	-
40	-	1 409	1 430	1 446	1 458	1 470	1 482	-	-
50	-	-	-	1 792	1 799	1 800	1 799	-	-
60	-	-	-	-	2 231	2 217	2 197	-	-
68	-	-	-	-	-	-	2 576	-	-

Current consumption in A

16	5.29	5.27	5.24	5.23	-	-	-	-	-
20	5.42	5.44	5.45	5.47	5.51	-	-	-	-
30	6.12	6.22	6.30	6.37	6.44	6.52	6.63	-	-
40	-	7.53	7.65	7.73	7.80	7.86	7.93	-	-
50	-	-	-	9.59	9.62	9.63	9.62	-	-
60	-	-	-	-	11.93	11.86	11.75	-	-
68	-	-	-	-	-	-	13.78	-	-

Mass flow in kg/h

16	52	63	76	91	-	-	-	-	-
20	52	63	75	91	109	-	-	-	-
30	50	61	74	90	108	130	156	-	-
40	-	59	73	88	107	128	154	-	-
50	-	-	-	86	104	126	152	-	-
60	-	-	-	-	101	123	149	-	-
68	-	-	-	-	-	-	145	-	-

Coefficient of performance (C.O.P.)

16	3.05	3.69	4.43	5.29	-	-	-	-	-
20	2.85	3.43	4.11	4.90	5.80	-	-	-	-
30	2.25	2.72	3.25	3.87	4.58	5.39	6.31	-	-
40	-	2.03	2.44	2.91	3.46	4.10	4.85	-	-
50	-	-	-	2.11	2.53	3.03	3.61	-	-
60	-	-	-	-	1.79	2.16	2.62	-	-
68	-	-	-	-	-	-	1.97	-	-

Nominal performance at to = -10 °C, tc = 45 °C

Cooling capacity	3 304	W
Power input	1 592	W
Current consumption	8.51	A
Mass flow	71	kg/h
C.O.P.	2.08	

Pressure switch settings

Maximum HP switch setting	29.8	bar(g)
Minimum LP switch setting	0.5	bar(g)
LP pump down setting	0.95	bar(g)

Sound power data

Sound power level	67	dB(A)
With acoustic hood	59	dB(A)

to: Evaporating temperature at dew point

tc: Condensing temperature at dew point

Rating conditions : Suction gas temp. = 20 °C , Subcooling = 0 K

All performance data +/- 5%

Performance data at 50 Hz, EN 12900 rating conditions, Superheat = 10 K
R134a

Cond. temp. in °C (tc)	Evaporating temperature in °C (to)							
	-15	-10	-5	0	5	10	15	

Cooling capacity in W

22	2 043	2 596	3 217	3 914	4 693	-	-	-	-
30	1 864	2 397	3 001	3 685	4 456	5 321	-	-	-
40	1 640	2 127	2 691	3 340	4 080	4 920	5 868	-	-
50	-	1 851	2 353	2 945	3 634	4 428	5 334	-	-
60	-	-	2 005	2 519	3 135	3 861	4 704	-	-
70	-	-	-	2 078	2 600	3 237	3 995	-	-
73	-	-	-	1 946	2 435	3 041	3 770	-	-

Power input in W

22	700	706	719	737	762	-	-	-	-
30	796	804	817	835	857	882	-	-	-
40	948	959	973	990	1 009	1 029	1 051	-	-
50	-	1 157	1 173	1 189	1 206	1 221	1 236	-	-
60	-	-	1 425	1 441	1 455	1 467	1 476	-	-
70	-	-	-	1 753	1 765	1 773	1 777	-	-
73	-	-	-	1 859	1 872	1 879	1 880	-	-

Current consumption in A

22	3.75	3.78	3.84	3.94	4.07	-	-	-	-
30	4.26	4.30	4.37	4.47	4.58	4.72	-	-	-
40	5.07	5.13	5.21	5.29	5.39	5.50	5.62	-	-
50	-	6.19	6.27	6.36	6.45	6.53	6.61	-	-
60	-	-	7.62	7.71	7.78	7.84	7.89	-	-
70	-	-	-	9.37	9.44	9.48	9.50	-	-
73	-	-	-	9.94	10.01	10.05	10.05	-	-

Mass flow in kg/h

22	44	55	67	80	94	-	-	-	-
30	43	54	67	80	95	111	-	-	-
40	42	53	66	80	96	113	132	-	-
50	-	52	64	78	95	113	133	-	-
60	-	-	62	76	92	111	132	-	-
70	-	-	-	73	89	108	129	-	-
73	-	-	-	72	88	106	128	-	-

Coefficient of performance (C.O.P.)

22	2.92	3.68	4.48	5.31	6.16	-	-	-	-
30	2.34	2.98	3.67	4.41	5.20	6.03	-	-	-
40	1.73	2.22	2.76	3.37	4.04	4.78	5.58	-	-
50	-	1.60	2.01	2.48	3.01	3.62	4.31	-	-
60	-	-	1.41	1.75	2.15	2.63	3.19	-	-
70	-	-	-	1.19	1.47	1.82	2.25	-	-
73	-	-	-	1.05	1.30	1.62	2.01	-	-

Nominal performance at to = -10 °C, tc = 45 °C

Cooling capacity	1 989	W
Power input	1 052	W
Current consumption	5.63	A
Mass flow	53	kg/h
C.O.P.	1.89	

to: Evaporating temperature at dew point

tc: Condensing temperature at dew point

Rating conditions : Superheat = 10 K , Subcooling = 0 K

Pressure switch settings

Maximum HP switch setting	23.6	bar(g)
Minimum LP switch setting	0.45	bar(g)
LP pump down setting	0.85	bar(g)

Sound power data

Sound power level	67	dB(A)
With acoustic hood	59	dB(A)

All performance data +/- 5%

Performance data at 50 Hz, EN 12900 rating conditions, Suction temp. = 20 °C
R134a

Cond. temp. in °C (tc)	Evaporating temperature in °C (to)							
	-15	-10	-5	0	5	10	15	

Cooling capacity in W

22	2 075	2 626	3 242	3 931	4 701	-	-	-	-
30	-	2 441	3 040	3 713	4 471	5 321	-	-	-
40	-	-	2 747	3 383	4 104	4 920	5 840	-	-
50	-	-	2 425	3 002	3 667	4 428	5 291	-	-
60	-	-	-	2 589	3 177	3 861	-	-	-
70	-	-	-	-	2 650	3 237	-	-	-
73	-	-	-	-	2 488	3 041	-	-	-

Power input in W

22	700	706	719	737	762	-	-	-	-
30	-	804	817	835	857	882	-	-	-
40	-	-	973	990	1 009	1 029	1 051	-	-
50	-	-	1 173	1 189	1 206	1 221	1 236	-	-
60	-	-	-	1 441	1 455	1 467	-	-	-
70	-	-	-	-	1 765	1 773	-	-	-
73	-	-	-	-	1 872	1 879	-	-	-

Current consumption in A

22	3.75	3.78	3.84	3.94	4.07	-	-	-	-
30	-	4.30	4.37	4.47	4.58	4.72	-	-	-
40	-	-	5.21	5.29	5.39	5.50	5.62	-	-
50	-	-	6.27	6.36	6.45	6.53	6.61	-	-
60	-	-	-	7.71	7.78	7.84	-	-	-
70	-	-	-	-	9.44	9.48	-	-	-
73	-	-	-	-	10.01	10.05	-	-	-

Mass flow in kg/h

22	39	50	63	76	92	-	-	-	-
30	-	50	63	77	93	111	-	-	-
40	-	-	62	76	93	113	136	-	-
50	-	-	60	75	92	113	136	-	-
60	-	-	-	73	90	111	-	-	-
70	-	-	-	-	87	108	-	-	-
73	-	-	-	-	86	106	-	-	-

Coefficient of performance (C.O.P.)

22	2.96	3.72	4.51	5.33	6.17	-	-	-	-
30	-	3.03	3.72	4.45	5.22	6.03	-	-	-
40	-	-	2.82	3.42	4.07	4.78	5.56	-	-
50	-	-	2.07	2.52	3.04	3.62	4.28	-	-
60	-	-	-	1.80	2.18	2.63	-	-	-
70	-	-	-	-	1.50	1.82	-	-	-
73	-	-	-	-	1.33	1.62	-	-	-

Nominal performance at to = -10 °C, tc = 45 °C

Cooling capacity	-	W
Power input	-	W
Current consumption	-	A
Mass flow	-	kg/h
C.O.P.	-	

to: Evaporating temperature at dew point

tc: Condensing temperature at dew point

Rating conditions : Suction gas temp. = 20 °C , Subcooling = 0 K

Pressure switch settings

Maximum HP switch setting	23.6	bar(g)
Minimum LP switch setting	0.45	bar(g)
LP pump down setting	0.85	bar(g)

Sound power data

Sound power level	67	dB(A)
With acoustic hood	59	dB(A)

All performance data +/- 5%

Performance data at 50 Hz, EN 12900 rating conditions, Suction temp. = 20 °C
R404A

Cond. temp. in °C (tc)	Evaporating temperature in °C (to)								
	-30	-25	-20	-15	-10	-5	0	5	10

Cooling capacity in W

10	2 391	2 960	3 644	4 452	5 390	-	-	-	-
20	2 170	2 687	3 305	4 033	4 877	5 846	6 946	-	-
30	1 925	2 387	2 938	3 583	4 332	5 190	6 167	7 268	8 500
40	-	2 059	2 539	3 100	3 750	4 497	5 348	6 310	7 390
50	-	-	2 106	2 581	3 131	3 764	4 487	5 307	6 233
60	-	-	-	-	2 471	2 988	3 581	4 259	5 029

Power input in W

10	799	802	824	850	866	-	-	-	-
20	939	931	947	972	992	994	962	-	-
30	1 212	1 194	1 205	1 230	1 256	1 268	1 252	1 195	1 080
40	-	1 536	1 543	1 569	1 602	1 626	1 627	1 592	1 506
50	-	-	1 906	1 934	1 974	2 011	2 031	2 019	1 962
60	-	-	-	-	2 319	2 370	2 409	2 422	2 394

Current consumption in A

10	4.27	4.29	4.41	4.55	4.63	-	-	-	-
20	5.02	4.98	5.06	5.20	5.31	5.31	5.14	-	-
30	6.48	6.39	6.44	6.58	6.72	6.78	6.70	6.39	5.78
40	-	8.22	8.25	8.39	8.56	8.69	8.70	8.51	8.05
50	-	-	10.19	10.34	10.56	10.76	10.86	10.80	10.49
60	-	-	-	-	12.40	12.67	12.88	12.95	12.80

Mass flow in kg/h

10	42	57	73	91	112	-	-	-	-
20	44	58	73	91	110	133	159	-	-
30	45	58	72	89	108	131	157	187	222
40	-	56	70	86	106	128	154	185	220
50	-	-	67	83	102	124	151	182	218
60	-	-	-	-	97	120	147	178	215

Coefficient of performance (C.O.P.)

10	2.99	3.69	4.42	5.24	6.23	-	-	-	-
20	2.31	2.89	3.49	4.15	4.92	5.88	7.22	-	-
30	1.59	2.00	2.44	2.91	3.45	4.09	4.92	6.08	7.87
40	-	1.34	1.65	1.98	2.34	2.77	3.29	3.96	4.91
50	-	-	1.11	1.33	1.59	1.87	2.21	2.63	3.18
60	-	-	-	-	1.07	1.26	1.49	1.76	2.10

Nominal performance at to = -10 °C, tc = 45 °C

Cooling capacity	3 446	W
Power input	1 788	W
Current consumption	9.56	A
Mass flow	104	kg/h
C.O.P.	1.93	

Pressure switch settings

Maximum HP switch setting	29.7	bar(g)
Minimum LP switch setting	1.4	bar(g)
LP pump down setting	2	bar(g)

Sound power data

Sound power level	67	dB(A)
With acoustic hood	59	dB(A)

to: Evaporating temperature at dew point

tc: Condensing temperature at dew point

Rating conditions : Suction gas temp. = 20 °C , Subcooling = 0 K

All performance data +/- 5%

Performance data at 50 Hz, EN 12900 rating conditions, Superheat = 10 K
R404A

Cond. temp. in °C (tc)	Evaporating temperature in °C (to)								
	-30	-25	-20	-15	-10	-5	0	5	10

Cooling capacity in W

10	2 297	2 864	3 551	4 366	5 318	-	-	-	-
20	2 041	2 551	3 169	3 902	4 760	5 750	6 880	-	-
30	1 761	2 213	2 759	3 407	4 169	5 052	6 064	7 213	8 500
40	1 456	1 847	2 319	2 880	3 543	4 316	5 209	6 232	7 390
50	-	-	1 848	2 319	2 879	3 539	4 311	5 205	6 233
60	-	-	-	-	2 174	2 718	3 365	4 130	5 029

Power input in W

10	799	802	824	850	866	-	-	-	-
20	939	931	947	972	992	994	962	-	-
30	1 212	1 194	1 205	1 230	1 256	1 268	1 252	1 195	1 080
40	1 564	1 536	1 543	1 569	1 602	1 626	1 627	1 592	1 506
50	-	-	1 906	1 934	1 974	2 011	2 031	2 019	1 962
60	-	-	-	-	2 319	2 370	2 409	2 422	2 394

Current consumption in A

10	4.27	4.29	4.41	4.55	4.63	-	-	-	-
20	5.02	4.98	5.06	5.20	5.31	5.31	5.14	-	-
30	6.48	6.39	6.44	6.58	6.72	6.78	6.70	6.39	5.78
40	8.37	8.22	8.25	8.39	8.56	8.69	8.70	8.51	8.05
50	-	-	10.19	10.34	10.56	10.76	10.86	10.80	10.49
60	-	-	-	-	12.40	12.67	12.88	12.95	12.80

Mass flow in kg/h

10	50	67	84	103	123	-	-	-	-
20	53	68	84	102	122	144	168	-	-
30	54	68	83	100	120	142	166	193	222
40	53	66	81	97	116	138	163	190	220
50	-	-	77	93	112	134	159	187	218
60	-	-	-	-	108	130	155	184	215

Coefficient of performance (C.O.P.)

10	2.88	3.57	4.31	5.14	6.14	-	-	-	-
20	2.17	2.74	3.35	4.01	4.80	5.79	7.15	-	-
30	1.45	1.85	2.29	2.77	3.32	3.98	4.84	6.04	7.87
40	0.93	1.20	1.50	1.84	2.21	2.65	3.20	3.91	4.91
50	-	-	0.97	1.20	1.46	1.76	2.12	2.58	3.18
60	-	-	-	-	0.94	1.15	1.40	1.71	2.10

Nominal performance at to = -10 °C, tc = 45 °C

Cooling capacity	3 216	W
Power input	1 788	W
Current consumption	9.56	A
Mass flow	115	kg/h
C.O.P.	1.80	

Pressure switch settings

Maximum HP switch setting	29.7	bar(g)
Minimum LP switch setting	1.4	bar(g)
LP pump down setting	2	bar(g)

Sound power data

Sound power level	67	dB(A)
With acoustic hood	59	dB(A)

to: Evaporating temperature at dew point

tc: Condensing temperature at dew point

Rating conditions : Superheat = 10 K , Subcooling = 0 K

All performance data +/- 5%

Performance data at 50 Hz, EN 12900 rating conditions
R407A

Cond. temp. in °C (tc)	Evaporating temperature in °C (to)							
	-25	-20	-15	-10	-5	0	5	10

Cooling capacity in W

10	2 481	3 103	3 854	4 749	-	-	-	-	-
20	2 215	2 805	3 515	4 363	5 364	6 535	-	-	-
30	1 915	2 458	3 114	3 900	4 833	5 927	7 200	8 667	-
40	1 594	2 076	2 664	3 375	4 224	5 228	6 403	7 765	-
45	-	1 876	2 425	3 092	3 895	4 848	5 969	7 274	-
50	-	-	2 179	2 799	3 551	4 451	5 514	6 757	-
55	-	-	-	2 498	3 196	4 038	5 040	6 218	-
60	-	-	-	-	2 830	3 610	4 547	5 657	-

Power input in W

10	751	760	761	751	-	-	-	-	-
20	903	920	933	938	932	914	-	-	-
30	1 095	1 116	1 136	1 152	1 162	1 161	1 148	1 119	-
40	1 354	1 375	1 398	1 421	1 440	1 454	1 458	1 450	-
45	-	1 535	1 558	1 583	1 606	1 625	1 637	1 638	-
50	-	-	1 744	1 769	1 795	1 818	1 836	1 845	-
55	-	-	-	1 981	2 009	2 035	2 058	2 074	-
60	-	-	-	-	2 251	2 280	2 307	2 329	-

Current consumption in A

10	3.92	4.01	4.08	4.12	-	-	-	-	-
20	5.14	5.24	5.31	5.35	5.38	5.40	-	-	-
30	5.84	5.94	6.02	6.06	6.09	6.11	6.14	6.17	-
40	6.46	6.56	6.63	6.68	6.71	6.73	6.75	6.78	-
45	-	6.98	7.05	7.09	7.12	7.14	7.16	7.19	-
50	-	-	7.60	7.64	7.67	7.68	7.70	7.73	-
55	-	-	-	8.39	8.41	8.42	8.43	8.46	-
60	-	-	-	-	9.40	9.40	9.41	9.43	-

Mass flow in kg/h

10	48	60	73	89	-	-	-	-	-
20	47	59	72	88	107	128	-	-	-
30	45	56	70	86	105	127	152	180	-
40	42	53	66	83	101	123	149	178	-
45	-	51	64	80	99	121	147	176	-
50	-	-	62	77	96	118	144	173	-
55	-	-	-	74	93	115	140	170	-
60	-	-	-	-	89	111	136	166	-

Coefficient of performance (C.O.P.)

10	3.30	4.08	5.07	6.33	-	-	-	-	-
20	2.45	3.05	3.77	4.65	5.75	7.15	-	-	-
30	1.75	2.20	2.74	3.38	4.16	5.10	6.27	7.75	-
40	1.18	1.51	1.91	2.38	2.93	3.60	4.39	5.35	-
45	-	1.22	1.56	1.95	2.42	2.98	3.65	4.44	-
50	-	-	1.25	1.58	1.98	2.45	3.00	3.66	-
55	-	-	-	1.26	1.59	1.98	2.45	3.00	-
60	-	-	-	-	1.26	1.58	1.97	2.43	-

Nominal performance at to = -10 °C, tc = 45 °C

Cooling capacity	3 092	W
Power input	1 583	W
Current consumption	7.09	A
Mass flow	80	kg/h
C.O.P.	1.95	

Pressure switch settings

Maximum HP switch setting	29.7	bar(g)
Minimum LP switch setting	1.4	bar(g)
LP pump down setting	2	bar(g)

Sound power data

Sound power level	67	dB(A)
With acoustic hood	59	dB(A)

to: Evaporating temperature at dew point

tc: Condensing temperature at dew point

Rating conditions : Superheat = 10 K , Subcooling = 0 K

All performance data +/- 5%

Danfoss can accept no responsibility for possible errors in catalogues, brochures and other printed material. Danfoss reserves the right to alter its products without notice. This also applies to products already on order provided that such alternations can be made without subsequential changes being necessary in specifications already agreed. All trademarks in this material are property of the respective companies. Danfoss and the Danfoss logotype are trademarks of Danfoss A/S. All rights reserved.

Performance data at 50 Hz, ARI rating conditions

R407A

Cond. temp. in °C (tc)	Evaporating temperature in °C (to)							
	-25	-20	-15	-10	-5	0	5	10

Cooling capacity in W

10	2 635	3 293	4 085	5 030	-	-	-	-	-
20	2 370	2 997	3 753	4 653	5 714	6 955	-	-	-
30	2 068	2 650	3 354	4 195	5 192	6 360	7 717	9 279	-
40	1 743	2 266	2 903	3 671	4 588	5 670	6 935	8 399	-
45	-	2 064	2 662	3 388	4 260	5 294	6 508	7 918	-
50	-	-	2 413	3 094	3 917	4 900	6 059	7 412	-
55	-	-	-	2 791	3 562	4 490	5 593	6 886	-
60	-	-	-	-	-	4 067	5 110	6 342	-

Power input in W

10	751	760	761	751	-	-	-	-	-
20	903	920	933	938	932	914	-	-	-
30	1 095	1 116	1 136	1 152	1 162	1 161	1 148	1 119	-
40	1 354	1 375	1 398	1 421	1 440	1 454	1 458	1 450	-
45	-	1 535	1 558	1 583	1 606	1 625	1 637	1 638	-
50	-	-	1 744	1 769	1 795	1 818	1 836	1 845	-
55	-	-	-	1 981	2 009	2 035	2 058	2 074	-
60	-	-	-	-	-	2 280	2 307	2 329	-

Current consumption in A

10	3.92	4.01	4.08	4.12	-	-	-	-	-
20	5.14	5.24	5.31	5.35	5.38	5.40	-	-	-
30	5.84	5.94	6.02	6.06	6.09	6.11	6.14	6.17	-
40	6.46	6.56	6.63	6.68	6.71	6.73	6.75	6.78	-
45	-	6.98	7.05	7.09	7.12	7.14	7.16	7.19	-
50	-	-	7.60	7.64	7.67	7.68	7.70	7.73	-
55	-	-	-	8.39	8.41	8.42	8.43	8.46	-
60	-	-	-	-	-	9.40	9.41	9.43	-

Mass flow in kg/h

10	48	59	73	88	-	-	-	-	-
20	47	58	72	88	106	127	-	-	-
30	45	56	70	86	104	126	151	179	-
40	41	53	66	82	101	123	148	177	-
45	-	50	64	80	99	120	146	175	-
50	-	-	61	77	96	118	143	172	-
55	-	-	-	74	92	114	140	169	-
60	-	-	-	-	-	110	136	165	-

Coefficient of performance (C.O.P.)

10	3.51	4.33	5.37	6.70	-	-	-	-	-
20	2.62	3.26	4.02	4.96	6.13	7.61	-	-	-
30	1.89	2.37	2.95	3.64	4.47	5.48	6.72	8.29	-
40	1.29	1.65	2.08	2.58	3.19	3.90	4.76	5.79	-
45	-	1.34	1.71	2.14	2.65	3.26	3.98	4.83	-
50	-	-	1.38	1.75	2.18	2.70	3.30	4.02	-
55	-	-	-	1.41	1.77	2.21	2.72	3.32	-
60	-	-	-	-	-	1.78	2.22	2.72	-

Nominal performance at to = -10 °C, tc = 45 °C

Cooling capacity	3 388	W
Power input	1 583	W
Current consumption	7.09	A
Mass flow	80	kg/h
C.O.P.	2.14	

Pressure switch settings

Maximum HP switch setting	29.7	bar(g)
Minimum LP switch setting	1.4	bar(g)
LP pump down setting	2	bar(g)

Sound power data

Sound power level	67	dB(A)
With acoustic hood	59	dB(A)

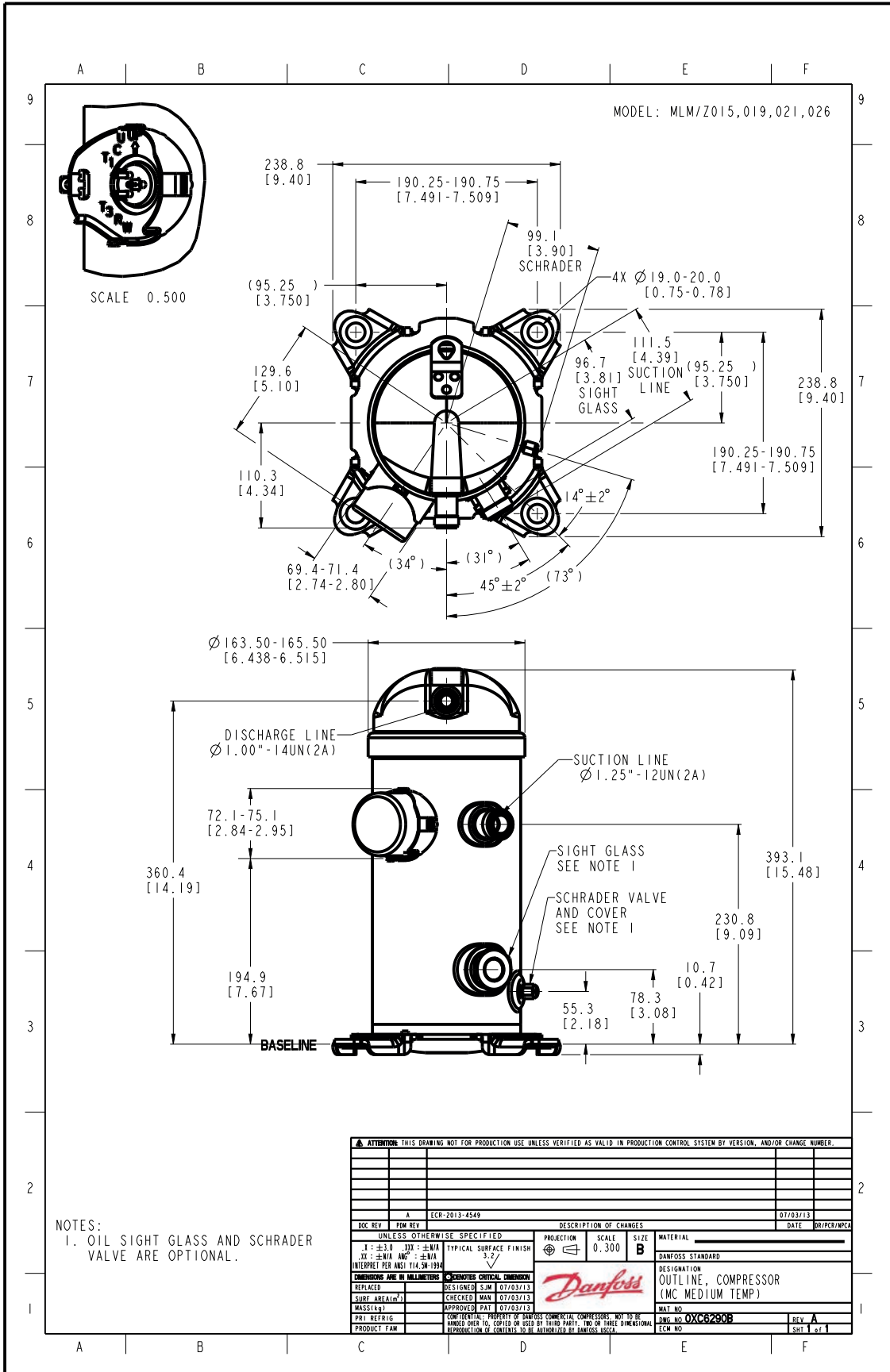
to: Evaporating temperature at dew point

tc: Condensing temperature at dew point

Rating conditions : Superheat = 11.1 K , Subcooling = 8.3 K

All performance data +/- 5%

Danfoss can accept no responsibility for possible errors in catalogues, brochures and other printed material. Danfoss reserves the right to alter its products without notice. This also applies to products already on order provided that such alternations can be made without subsequential changes being necessary in specifications already agreed. All trademarks in this material are property of the respective companies. Danfoss and the Danfoss logotype are trademarks of Danfoss A/S. All rights reserved.



Danfoss can accept no responsibility for possible errors in catalogues, brochures and other printed material. Danfoss reserves the right to alter its products without notice. This also applies to products already on order provided that such alternations can be made without consequential changes being necessary in specifications already agreed. All trademarks in this material are property of the respective companies. Danfoss, the Danfoss logotype and Maneurop are trademarks of Danfoss A/S. All rights reserved.