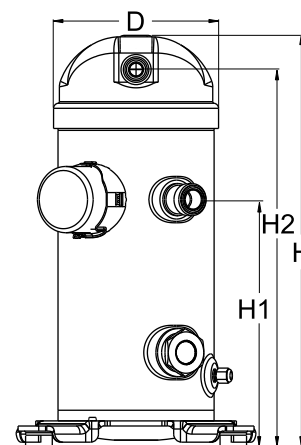


General Characteristics

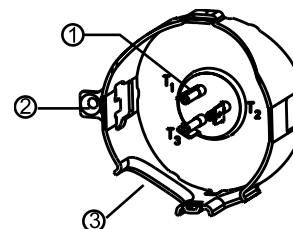
Model number (on compressor nameplate)		MLZ019T4LT9
Code number for Singlepack*		121U8531
Code number for Industrial pack**		121U8530
Drawing number		0XC6290B-1
Suction and discharge connections		Rotolock
Suction connection		1-1/4 " Rotolock
Discharge connection		1 " Rotolock
Suction connection with supplied sleeve		3/4 " -
Discharge connection with supplied sleeve	- "	1/2 " -
Oil sight glass		Threaded
Oil equalisation connection		None
Oil drain connection		None
LP gauge port		None
IPR valve		None
Swept volume		43,51 cm ³ /rev
Displacement @ Nominal speed		7.6 m ³ /h @ 2900 rpm - 9.1 m ³ /h @ 3500 rpm
Net weight		31 kg
Oil charge		1,06 litre, PVE - -
Maximum system test pressure Low Side / High side		- bar(g) / - bar(g)
Maximum differential test pressure		- bar
Maximum number of starts per hour		12
Refrigerant charge limit		3,63 kg
Approved refrigerants		R404A, R507, R134a, R407A, R407C, R407F, R22

Dimensions


D=184 mm
H=412,1 mm
H1=249,8 mm
H2=379,4 mm
H3=- mm

Electrical Characteristics

Nominal voltage	380-400V/3/50Hz - 460V/3/60Hz
Voltage range	340-460 V @ 50Hz - 414-506 V @ 60Hz
Winding resistance between phases 1-2 +/- 7% at 25°C	4.664 Ω
Winding resistance between phases 1-3 +/- 7% at 25°C	3.422 Ω
Winding resistance between phases 2-3 +/- 7% at 25°C	4.664 Ω
Rated Load Amps (RLA)	6.1 A
Maximum Continuous Current (MCC)	9.5 A
Locked Rotor Amps (LRA)	45 A
Motor protection	Internal overload protector

Terminal box


IP22

- 1: Spade connectors 1/4"
- 2: Earth connection
- 3: Power cable passage

Recommended Installation torques

Oil sight glass	52,5 Nm
Power connections / Earth connection	0 Nm / 0 Nm

Parts shipped with compressor

Mounting kit with grommets and sleeves
Initial oil charge
Installation instructions

Approvals : CE certified, UL certified (file SA11565), -

*Singlepack: Compressor in cardboard box. 121U... optimised for Danfoss pallet, 120U... optimised for US pallet

**Industrial pack: 121U...: 12 unboxed compressors on Danfoss pallet. 120U...: 16 unboxed compressors on US pallet

Rotolock accessories, suction side

Code no.

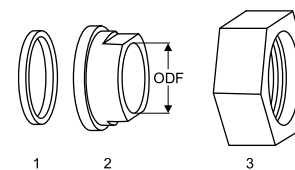
Angle adapter, C04 (1-1/4" Rotolock, 3/4" ODF)	8168006
Rotolock valve, V04 (1-1/4" Rotolock, 3/4" ODF)	8168029
Gasket, 1-1/4"	8156131

Gaskets, sleeves and nuts

Rotolock accessories, discharge side

Code no.

Angle adapter, C01 (1" Rotolock, 3/8" ODF)	8168004
Rotolock valve, V06 (1" Rotolock, 1/2" ODF)	8168031
Gasket, 1"	8156130



- 1: Gasket
- 2: Solder sleeve
- 3: Rotolock nut

Rotolock accessories, sets

Code no.

Teflon seals, sleeves, nuts for discharge and suction (1" and 1 1/4")	120Z5074
Gasket set, 1", 1-1/4", 1-3/4", OSG gaskets black & white	8156009

Oil / lubricants

Code no.

PVE lubricant, 320HV (FVC68D), 1 litre can	120Z5034
--	----------

Crankcase heaters

Code no.

Belt type crankcase heater, 70 W, 240 V, CE mark, UL	120Z5040
Belt type crankcase heater, 70 W, 400/460V, CE mark, UL	120Z5041

Miscellaneous accessories

Code no.

Acoustic hood	120Z5043
Discharge thermostat kit	7750009

Spare parts

Code no.

Mounting kit for 1 scroll compressor including 4 grommets, 4 sleeves, 4 bolts, 4 washers	120Z5005
--	----------

Performance data at 50 Hz, EN 12900 rating conditions, Superheat = 10 K
R22

Cond. temp. in °C (tc)	Evaporating temperature in °C (to)							
	-20	-15	-10	-5	0	5	10	

Cooling capacity in W

16	3 939	4 731	5 623	6 646	-	-	-	-	-
20	3 825	4 614	5 501	6 514	7 685	-	-	-	-
30	3 473	4 239	5 094	6 068	7 193	8 495	9 999	-	-
40	3 071	3 790	4 588	5 499	6 552	7 778	9 203	-	-
50	-	3 321	4 039	4 861	5 819	6 944	8 265	-	-
60	-	-	-	4 208	5 047	6 047	7 239	-	-
68	-	-	-	-	-	5 319	6 391	-	-

Power input in W

16	854	890	928	972	-	-	-	-	-
20	990	1 019	1 051	1 086	1 127	-	-	-	-
30	1 318	1 338	1 358	1 379	1 402	1 430	1 463	-	-
40	1 651	1 672	1 690	1 706	1 721	1 738	1 758	-	-
50	-	2 049	2 074	2 094	2 111	2 127	2 142	-	-
60	-	-	-	2 572	2 600	2 624	2 644	-	-
68	-	-	-	-	-	3 118	3 149	-	-

Current consumption in A

16	1.64	1.71	1.79	1.87	-	-	-	-	-
20	1.91	1.96	2.02	2.09	2.17	-	-	-	-
30	2.54	2.58	2.61	2.65	2.70	2.75	2.82	-	-
40	3.18	3.22	3.25	3.28	3.31	3.34	3.38	-	-
50	-	3.94	3.99	4.03	4.06	4.09	4.12	-	-
60	-	-	-	4.95	5.00	5.05	5.09	-	-
68	-	-	-	-	-	6.00	6.06	-	-

Mass flow in kg/h

16	78	92	108	127	-	-	-	-	-
20	77	91	108	126	147	-	-	-	-
30	74	89	105	124	146	170	198	-	-
40	70	85	102	121	143	168	197	-	-
50	-	81	98	117	138	164	193	-	-
60	-	-	-	110	132	157	186	-	-
68	-	-	-	-	-	150	179	-	-

Coefficient of performance (C.O.P.)

16	4.61	5.32	6.06	6.84	-	-	-	-	-
20	3.86	4.53	5.24	6.00	6.82	-	-	-	-
30	2.64	3.17	3.75	4.40	5.13	5.94	6.83	-	-
40	1.86	2.27	2.71	3.22	3.81	4.48	5.23	-	-
50	-	1.62	1.95	2.32	2.76	3.27	3.86	-	-
60	-	-	-	1.64	1.94	2.30	2.74	-	-
68	-	-	-	-	-	1.71	2.03	-	-

Nominal performance at to = -10 °C, tc = 45 °C

Cooling capacity	4 316	W
Power input	1 874	W
Current consumption	3.61	A
Mass flow	100	kg/h
C.O.P.	2.30	

to: Evaporating temperature at dew point

tc: Condensing temperature at dew point

Rating conditions : Superheat = 10 K , Subcooling = 0 K

Pressure switch settings

Maximum HP switch setting	29.8	bar(g)
Minimum LP switch setting	0.5	bar(g)
LP pump down setting	0.95	bar(g)

Sound power data

Sound power level	67	dB(A)
With acoustic hood	59	dB(A)

All performance data +/- 5%

Performance data at 50 Hz, EN 12900 rating conditions, Suction temp. = 20 °C
R22

Cond. temp. in °C (tc)	Evaporating temperature in °C (to)							
	-20	-15	-10	-5	0	5	10	

Cooling capacity in W

16	3 843	4 630	5 520	6 548	-	-	-	-	-
20	3 742	4 526	5 410	6 427	7 610	-	-	-	-
30	3 423	4 184	5 036	6 011	7 141	8 460	9 999	-	-
40	-	3 769	4 563	5 472	6 526	7 759	9 203	-	-
50	-	-	-	4 864	5 818	6 941	8 265	-	-
60	-	-	-	-	5 070	6 059	7 239	-	-
68	-	-	-	-	-	-	6 391	-	-

Power input in W

16	854	890	928	972	-	-	-	-	-
20	990	1 019	1 051	1 086	1 127	-	-	-	-
30	1 318	1 338	1 358	1 379	1 402	1 430	1 463	-	-
40	-	1 672	1 690	1 706	1 721	1 738	1 758	-	-
50	-	-	-	2 094	2 111	2 127	2 142	-	-
60	-	-	-	-	2 600	2 624	2 644	-	-
68	-	-	-	-	-	-	3 149	-	-

Current consumption in A

16	1.64	1.71	1.79	1.87	-	-	-	-	-
20	1.91	1.96	2.02	2.09	2.17	-	-	-	-
30	2.54	2.58	2.61	2.65	2.70	2.75	2.82	-	-
40	-	3.22	3.25	3.28	3.31	3.34	3.38	-	-
50	-	-	-	4.03	4.06	4.09	4.12	-	-
60	-	-	-	-	5.00	5.05	5.09	-	-
68	-	-	-	-	-	-	6.06	-	-

Mass flow in kg/h

16	69	83	99	118	-	-	-	-	-
20	67	82	99	118	140	-	-	-	-
30	65	80	96	116	139	166	198	-	-
40	-	77	93	113	136	164	197	-	-
50	-	-	-	109	132	160	193	-	-
60	-	-	-	-	126	153	186	-	-
68	-	-	-	-	-	-	179	-	-

Coefficient of performance (C.O.P.)

16	4.50	5.20	5.95	6.74	-	-	-	-	-
20	3.78	4.44	5.15	5.92	6.76	-	-	-	-
30	2.60	3.13	3.71	4.36	5.09	5.92	6.83	-	-
40	-	2.25	2.70	3.21	3.79	4.46	5.23	-	-
50	-	-	-	2.32	2.76	3.26	3.86	-	-
60	-	-	-	-	1.95	2.31	2.74	-	-
68	-	-	-	-	-	-	2.03	-	-

Nominal performance at to = -10 °C, tc = 45 °C

Cooling capacity	4 307	W
Power input	1 874	W
Current consumption	3.61	A
Mass flow	92	kg/h
C.O.P.	2.30	

Pressure switch settings

Maximum HP switch setting	29.8	bar(g)
Minimum LP switch setting	0.5	bar(g)
LP pump down setting	0.95	bar(g)

Sound power data

Sound power level	67	dB(A)
With acoustic hood	59	dB(A)

to: Evaporating temperature at dew point

tc: Condensing temperature at dew point

Rating conditions : Suction gas temp. = 20 °C , Subcooling = 0 K

All performance data +/- 5%

Performance data at 50 Hz, EN 12900 rating conditions, Superheat = 10 K
R134a

Cond. temp. in °C (tc)	Evaporating temperature in °C (to)							
	-15	-10	-5	0	5	10	15	

Cooling capacity in W

22	2 601	3 269	4 077	5 035	6 150	-	-	-	-
30	2 404	3 031	3 791	4 692	5 744	6 957	-	-	-
40	2 142	2 712	3 405	4 230	5 198	6 317	7 597	-	-
50	-	2 375	2 995	3 738	4 614	5 633	6 803	-	-
60	-	-	2 566	3 221	3 999	4 911	5 964	-	-
70	-	-	-	2 684	3 358	4 156	5 087	-	-
73	-	-	-	2 520	3 162	3 925	4 818	-	-

Power input in W

22	788	794	800	810	826	-	-	-	-
30	937	947	955	963	973	988	-	-	-
40	1 143	1 163	1 178	1 190	1 200	1 210	1 223	-	-
50	-	1 412	1 440	1 461	1 476	1 489	1 500	-	-
60	-	-	1 744	1 781	1 808	1 828	1 843	-	-
70	-	-	-	2 154	2 198	2 233	2 258	-	-
73	-	-	-	2 276	2 328	2 367	2 397	-	-

Current consumption in A

22	1.52	1.53	1.54	1.56	1.59	-	-	-	-
30	1.80	1.82	1.84	1.85	1.87	1.90	-	-	-
40	2.20	2.24	2.27	2.29	2.31	2.33	2.35	-	-
50	-	2.72	2.77	2.81	2.84	2.86	2.89	-	-
60	-	-	3.36	3.43	3.48	3.52	3.55	-	-
70	-	-	-	4.14	4.23	4.30	4.35	-	-
73	-	-	-	4.38	4.48	4.56	4.61	-	-

Mass flow in kg/h

22	56	69	85	103	123	-	-	-	-
30	55	69	84	102	122	146	-	-	-
40	54	68	83	101	121	145	171	-	-
50	-	66	82	100	120	143	170	-	-
60	-	-	80	97	118	141	167	-	-
70	-	-	-	94	115	138	164	-	-
73	-	-	-	93	113	137	163	-	-

Coefficient of performance (C.O.P.)

22	3.30	4.12	5.09	6.21	7.45	-	-	-	-
30	2.56	3.20	3.97	4.87	5.90	7.04	-	-	-
40	1.87	2.33	2.89	3.56	4.33	5.22	6.21	-	-
50	-	1.68	2.08	2.56	3.13	3.78	4.54	-	-
60	-	-	1.47	1.81	2.21	2.69	3.24	-	-
70	-	-	-	1.25	1.53	1.86	2.25	-	-
73	-	-	-	1.11	1.36	1.66	2.01	-	-

Nominal performance at to = -10 °C, tc = 45 °C

Cooling capacity	2 546	W
Power input	1 283	W
Current consumption	2.47	A
Mass flow	67	kg/h
C.O.P.	1.98	

Pressure switch settings

Maximum HP switch setting	23.6	bar(g)
Minimum LP switch setting	0.45	bar(g)
LP pump down setting	0.85	bar(g)

Sound power data

Sound power level	67	dB(A)
With acoustic hood	59	dB(A)

to: Evaporating temperature at dew point

tc: Condensing temperature at dew point

Rating conditions : Superheat = 10 K , Subcooling = 0 K

All performance data +/- 5%

Performance data at 50 Hz, EN 12900 rating conditions, Suction temp. = 20 °C

R134a

Cond. temp. in °C (tc)	Evaporating temperature in °C (to)							
	-15	-10	-5	0	5	10	15	

Cooling capacity in W

22	2 642	3 307	4 109	5 056	6 161	-	-	-	-
30	-	3 087	3 839	4 728	5 763	6 957	-	-	-
40	-	-	3 475	4 285	5 229	6 317	7 561	-	-
50	-	-	3 086	3 811	4 657	5 633	6 748	-	-
60	-	-	-	3 311	4 053	4 911	-	-	-
70	-	-	-	-	3 423	4 156	-	-	-
73	-	-	-	-	3 230	3 925	-	-	-

Power input in W

22	788	794	800	810	826	-	-	-	-
30	-	947	955	963	973	988	-	-	-
40	-	-	1 178	1 190	1 200	1 210	1 223	-	-
50	-	-	1 440	1 461	1 476	1 489	1 500	-	-
60	-	-	-	1 781	1 808	1 828	-	-	-
70	-	-	-	-	2 198	2 233	-	-	-
73	-	-	-	-	2 328	2 367	-	-	-

Current consumption in A

22	1.52	1.53	1.54	1.56	1.59	-	-	-	-
30	-	1.82	1.84	1.85	1.87	1.90	-	-	-
40	-	-	2.27	2.29	2.31	2.33	2.35	-	-
50	-	-	2.77	2.81	2.84	2.86	2.89	-	-
60	-	-	-	3.43	3.48	3.52	-	-	-
70	-	-	-	-	4.23	4.30	-	-	-
73	-	-	-	-	4.48	4.56	-	-	-

Mass flow in kg/h

22	50	64	79	98	120	-	-	-	-
30	-	63	79	97	120	146	-	-	-
40	-	-	78	97	119	145	176	-	-
50	-	-	77	95	117	143	174	-	-
60	-	-	-	93	115	141	-	-	-
70	-	-	-	-	112	138	-	-	-
73	-	-	-	-	111	137	-	-	-

Coefficient of performance (C.O.P.)

22	3.35	4.17	5.13	6.24	7.46	-	-	-	-
30	-	3.26	4.02	4.91	5.92	7.04	-	-	-
40	-	-	2.95	3.60	4.36	5.22	6.18	-	-
50	-	-	2.14	2.61	3.15	3.78	4.50	-	-
60	-	-	-	1.86	2.24	2.69	-	-	-
70	-	-	-	-	1.56	1.86	-	-	-
73	-	-	-	-	1.39	1.66	-	-	-

Nominal performance at to = -10 °C, tc = 45 °C

Cooling capacity	-	W
Power input	-	W
Current consumption	-	A
Mass flow	-	kg/h
C.O.P.	-	

to: Evaporating temperature at dew point

tc: Condensing temperature at dew point

Rating conditions : Suction gas temp. = 20 °C , Subcooling = 0 K

Pressure switch settings

Maximum HP switch setting	23.6	bar(g)
Minimum LP switch setting	0.45	bar(g)
LP pump down setting	0.85	bar(g)

Sound power data

Sound power level	67	dB(A)
With acoustic hood	59	dB(A)

All performance data +/- 5%

Performance data at 50 Hz, EN 12900 rating conditions, Suction temp. = 20 °C
R404A

Cond. temp. in °C (tc)	Evaporating temperature in °C (to)								
	-30	-25	-20	-15	-10	-5	0	5	10

Cooling capacity in W

10	2 958	3 714	4 602	5 644	6 865	-	-	-	-
20	2 693	3 396	4 206	5 146	6 238	7 506	8 972	-	-
30	2 391	3 040	3 771	4 608	5 572	6 686	7 974	9 458	11 159
40	-	2 627	3 278	4 010	4 844	5 804	6 913	8 193	9 667
50	-	-	2 706	3 331	4 035	4 839	5 768	6 844	8 090
60	-	-	-	-	3 124	3 772	4 520	5 390	6 408

Power input in W

10	934	950	961	972	993	-	-	-	-
20	1 179	1 202	1 211	1 212	1 214	1 223	1 249	-	-
30	1 472	1 513	1 530	1 532	1 526	1 518	1 518	1 533	1 570
40	-	1 877	1 915	1 928	1 925	1 912	1 897	1 888	1 893
50	-	-	2 360	2 396	2 406	2 398	2 380	2 359	2 343
60	-	-	-	-	2 965	2 974	2 963	2 941	2 915

Current consumption in A

10	1.93	1.96	1.98	2.01	2.05	-	-	-	-
20	2.43	2.48	2.50	2.50	2.50	2.52	2.57	-	-
30	3.03	3.12	3.16	3.16	3.15	3.13	3.13	3.16	3.24
40	-	3.87	3.95	3.98	3.97	3.94	3.91	3.89	3.90
50	-	-	4.87	4.94	4.96	4.95	4.91	4.86	4.83
60	-	-	-	-	6.11	6.13	6.11	6.06	6.01

Mass flow in kg/h

10	55	73	93	115	139	-	-	-	-
20	57	75	94	116	140	169	204	-	-
30	57	74	93	115	139	168	202	243	291
40	-	72	91	112	136	165	199	240	288
50	-	-	86	107	131	159	194	234	282
60	-	-	-	-	124	152	186	227	275

Coefficient of performance (C.O.P.)

10	3.17	3.91	4.79	5.80	6.91	-	-	-	-
20	2.28	2.82	3.47	4.25	5.14	6.14	7.19	-	-
30	1.62	2.01	2.46	3.01	3.65	4.40	5.25	6.17	7.11
40	-	1.40	1.71	2.08	2.52	3.04	3.64	4.34	5.11
50	-	-	1.15	1.39	1.68	2.02	2.42	2.90	3.45
60	-	-	-	-	1.05	1.27	1.53	1.83	2.20

Nominal performance at to = -10 °C, tc = 45 °C

Cooling capacity	4 451	W
Power input	2 155	W
Current consumption	4.44	A
Mass flow	134	kg/h
C.O.P.	2.06	

Pressure switch settings

Maximum HP switch setting	29.7	bar(g)
Minimum LP switch setting	1.4	bar(g)
LP pump down setting	2	bar(g)

Sound power data

Sound power level	67	dB(A)
With acoustic hood	59	dB(A)

to: Evaporating temperature at dew point

tc: Condensing temperature at dew point

Rating conditions : Suction gas temp. = 20 °C , Subcooling = 0 K

All performance data +/- 5%

Performance data at 50 Hz, EN 12900 rating conditions, Superheat = 10 K

R404A

Cond. temp. in °C (tc)	Evaporating temperature in °C (to)								
	-30	-25	-20	-15	-10	-5	0	5	10

Cooling capacity in W

10	2 842	3 594	4 484	5 536	6 773	-	-	-	-
20	2 532	3 225	4 032	4 979	6 088	7 383	8 887	-	-
30	2 187	2 818	3 542	4 381	5 362	6 507	7 842	9 387	11 159
40	1 791	2 357	2 994	3 725	4 575	5 569	6 733	8 092	9 667
50	-	-	2 374	2 994	3 710	4 551	5 542	6 712	8 090
60	-	-	-	-	2 749	3 432	4 247	5 227	6 408

Power input in W

10	934	950	961	972	993	-	-	-	-
20	1 179	1 202	1 211	1 212	1 214	1 223	1 249	-	-
30	1 472	1 513	1 530	1 532	1 526	1 518	1 518	1 533	1 570
40	1 807	1 877	1 915	1 928	1 925	1 912	1 897	1 888	1 893
50	-	-	2 360	2 396	2 406	2 398	2 380	2 359	2 343
60	-	-	-	-	2 965	2 974	2 963	2 941	2 915

Current consumption in A

10	1.93	1.96	1.98	2.01	2.05	-	-	-	-
20	2.43	2.48	2.50	2.50	2.50	2.52	2.57	-	-
30	3.03	3.12	3.16	3.16	3.15	3.13	3.13	3.16	3.24
40	3.73	3.87	3.95	3.98	3.97	3.94	3.91	3.89	3.90
50	-	-	4.87	4.94	4.96	4.95	4.91	4.86	4.83
60	-	-	-	-	6.11	6.13	6.11	6.06	6.01

Mass flow in kg/h

10	66	86	107	129	154	-	-	-	-
20	68	88	108	130	155	183	215	-	-
30	68	87	107	129	154	182	214	250	291
40	65	84	104	126	150	178	210	247	288
50	-	-	99	120	144	172	204	241	282
60	-	-	-	-	136	164	197	233	275

Coefficient of performance (C.O.P.)

10	3.04	3.78	4.67	5.69	6.82	-	-	-	-
20	2.15	2.68	3.33	4.11	5.02	6.04	7.12	-	-
30	1.49	1.86	2.31	2.86	3.51	4.29	5.17	6.12	7.11
40	0.99	1.26	1.56	1.93	2.38	2.91	3.55	4.29	5.11
50	-	-	1.01	1.25	1.54	1.90	2.33	2.85	3.45
60	-	-	-	-	0.93	1.15	1.43	1.78	2.20

Nominal performance at to = -10 °C, tc = 45 °C

Cooling capacity	4 154	W
Power input	2 155	W
Current consumption	4.44	A
Mass flow	148	kg/h
C.O.P.	1.93	

Pressure switch settings

Maximum HP switch setting	29.7	bar(g)
Minimum LP switch setting	1.4	bar(g)
LP pump down setting	2	bar(g)

Sound power data

Sound power level	67	dB(A)
With acoustic hood	59	dB(A)

to: Evaporating temperature at dew point

tc: Condensing temperature at dew point

Rating conditions : Superheat = 10 K , Subcooling = 0 K

All performance data +/- 5%

Performance data at 50 Hz, EN 12900 rating conditions
R407F

Cond. temp. in °C (tc)	Evaporating temperature in °C (to)							
	-23	-20	-15	-10	-5	0	5	10

Cooling capacity in W

10	3 664	4 182	5 179	6 361	-	-	-	-	-
20	3 304	3 797	4 747	5 873	7 198	8 743	-	-	-
30	2 890	3 348	4 230	5 281	6 523	7 977	9 664	11 605	-
40	2 441	2 850	3 645	4 602	5 740	7 083	8 651	10 466	-
45	-	-	3 333	4 234	5 314	6 594	8 095	9 839	-
50	-	-	-	3 852	4 868	6 080	7 509	9 177	-
55	-	-	-	-	4 403	5 542	6 895	8 482	-
60	-	-	-	-	-	-	-	-	-

Power input in W

10	1 036	1 039	1 041	1 042	-	-	-	-	-
20	1 257	1 264	1 273	1 278	1 281	1 283	-	-	-
30	1 530	1 544	1 562	1 575	1 584	1 590	1 595	1 599	-
40	1 880	1 903	1 934	1 957	1 975	1 987	1 997	2 004	-
45	-	-	2 158	2 188	2 211	2 228	2 241	2 251	-
50	-	-	-	2 449	2 478	2 500	2 517	2 531	-
55	-	-	-	-	2 779	2 807	2 830	2 847	-
60	-	-	-	-	-	-	-	-	-

Current consumption in A

10	2.39	2.42	2.45	2.47	-	-	-	-	-
20	3.15	3.18	3.22	3.24	3.25	3.25	-	-	-
30	3.59	3.62	3.66	3.68	3.69	3.70	3.71	3.72	-
40	3.98	4.01	4.04	4.06	4.07	4.08	4.09	4.10	-
45	-	-	4.30	4.32	4.33	4.33	4.34	4.35	-
50	-	-	-	4.66	4.66	4.67	4.67	4.69	-
55	-	-	-	-	5.12	5.12	5.13	5.14	-
60	-	-	-	-	-	-	-	-	-

Mass flow in kg/h

10	64	73	89	108	-	-	-	-	-
20	62	71	88	107	129	155	-	-	-
30	59	68	85	104	127	154	184	218	-
40	55	64	80	100	123	149	180	215	-
45	-	-	77	97	120	146	177	212	-
50	-	-	-	93	116	143	174	209	-
55	-	-	-	-	112	138	169	205	-
60	-	-	-	-	-	-	-	-	-

Coefficient of performance (C.O.P.)

10	3.54	4.03	4.97	6.11	-	-	-	-	-
20	2.63	3.00	3.73	4.59	5.62	6.81	-	-	-
30	1.89	2.17	2.71	3.35	4.12	5.02	6.06	7.26	-
40	1.30	1.50	1.89	2.35	2.91	3.56	4.33	5.22	-
45	-	-	1.54	1.94	2.40	2.96	3.61	4.37	-
50	-	-	-	1.57	1.96	2.43	2.98	3.63	-
55	-	-	-	-	1.58	1.97	2.44	2.98	-
60	-	-	-	-	-	-	-	-	-

Nominal performance at to = -10 °C, tc = 45 °C

Cooling capacity	4 234	W
Power input	2 188	W
Current consumption	4.32	A
Mass flow	97	kg/h
C.O.P.	1.94	

Pressure switch settings

Maximum HP switch setting	29.7	bar(g)
Minimum LP switch setting	1.4	bar(g)
LP pump down setting	2	bar(g)

Sound power data

Sound power level	67	dB(A)
With acoustic hood	59	dB(A)

to: Evaporating temperature at dew point

tc: Condensing temperature at dew point

Rating conditions : Superheat = 10 K, Subcooling = 0 K

All performance data +/- 5%

Danfoss can accept no responsibility for possible errors in catalogues, brochures and other printed material. Danfoss reserves the right to alter its products without notice. This also applies to products already on order provided that such alternations can be made without subsequential changes being necessary in specifications already agreed. All trademarks in this material are property of the respective companies. Danfoss and the Danfoss logotype are trademarks of Danfoss A/S. All rights reserved.

Performance data at 50 Hz, ARI rating conditions

R407F

Cond. temp. in °C (tc)	Evaporating temperature in °C (to)							
	-23	-20	-15	-10	-5	0	5	10

Cooling capacity in W

10	3 872	4 418	5 467	6 710	-	-	-	-	-
20	3 513	4 035	5 040	6 231	7 631	9 262	-	-	-
30	3 096	3 584	4 524	5 643	6 964	8 508	10 298	12 358	-
40	-	3 081	3 936	4 963	6 184	7 623	9 300	11 240	-
45	-	-	3 621	4 594	5 759	7 137	8 751	10 625	-
50	-	-	-	4 209	5 312	6 625	8 172	9 975	-
55	-	-	-	-	-	6 092	7 567	9 296	-
60	-	-	-	-	-	-	-	-	-

Power input in W

10	1 036	1 039	1 041	1 042	-	-	-	-	-
20	1 257	1 264	1 273	1 278	1 281	1 283	-	-	-
30	1 530	1 544	1 562	1 575	1 584	1 590	1 595	1 599	-
40	-	1 903	1 934	1 957	1 975	1 987	1 997	2 004	-
45	-	-	2 158	2 188	2 211	2 228	2 241	2 251	-
50	-	-	-	2 449	2 478	2 500	2 517	2 531	-
55	-	-	-	-	-	2 807	2 830	2 847	-
60	-	-	-	-	-	-	-	-	-

Current consumption in A

10	2.39	2.42	2.45	2.47	-	-	-	-	-
20	3.15	3.18	3.22	3.24	3.25	3.25	-	-	-
30	3.59	3.62	3.66	3.68	3.69	3.70	3.71	3.72	-
40	-	4.01	4.04	4.06	4.07	4.08	4.09	4.10	-
45	-	-	4.30	4.32	4.33	4.33	4.34	4.35	-
50	-	-	-	4.66	4.66	4.67	4.67	4.69	-
55	-	-	-	-	-	5.12	5.13	5.14	-
60	-	-	-	-	-	-	-	-	-

Mass flow in kg/h

10	64	72	88	107	-	-	-	-	-
20	62	71	87	106	129	154	-	-	-
30	59	68	84	104	126	153	183	217	-
40	-	64	80	99	122	149	179	214	-
45	-	-	77	96	119	146	176	211	-
50	-	-	-	93	115	142	173	208	-
55	-	-	-	-	-	138	168	203	-
60	-	-	-	-	-	-	-	-	-

Coefficient of performance (C.O.P.)

10	3.74	4.25	5.25	6.44	-	-	-	-	-
20	2.80	3.19	3.96	4.87	5.96	7.22	-	-	-
30	2.02	2.32	2.90	3.58	4.40	5.35	6.46	7.73	-
40	-	1.62	2.04	2.54	3.13	3.84	4.66	5.61	-
45	-	-	1.68	2.10	2.61	3.20	3.91	4.72	-
50	-	-	-	1.72	2.14	2.65	3.25	3.94	-
55	-	-	-	-	-	2.17	2.67	3.27	-
60	-	-	-	-	-	-	-	-	-

Nominal performance at to = -10 °C, tc = 45 °C

Cooling capacity	4 594	W
Power input	2 188	W
Current consumption	4.32	A
Mass flow	96	kg/h
C.O.P.	2.10	

Pressure switch settings

Maximum HP switch setting	29.7	bar(g)
Minimum LP switch setting	1.4	bar(g)
LP pump down setting	2	bar(g)

Sound power data

Sound power level	67	dB(A)
With acoustic hood	59	dB(A)

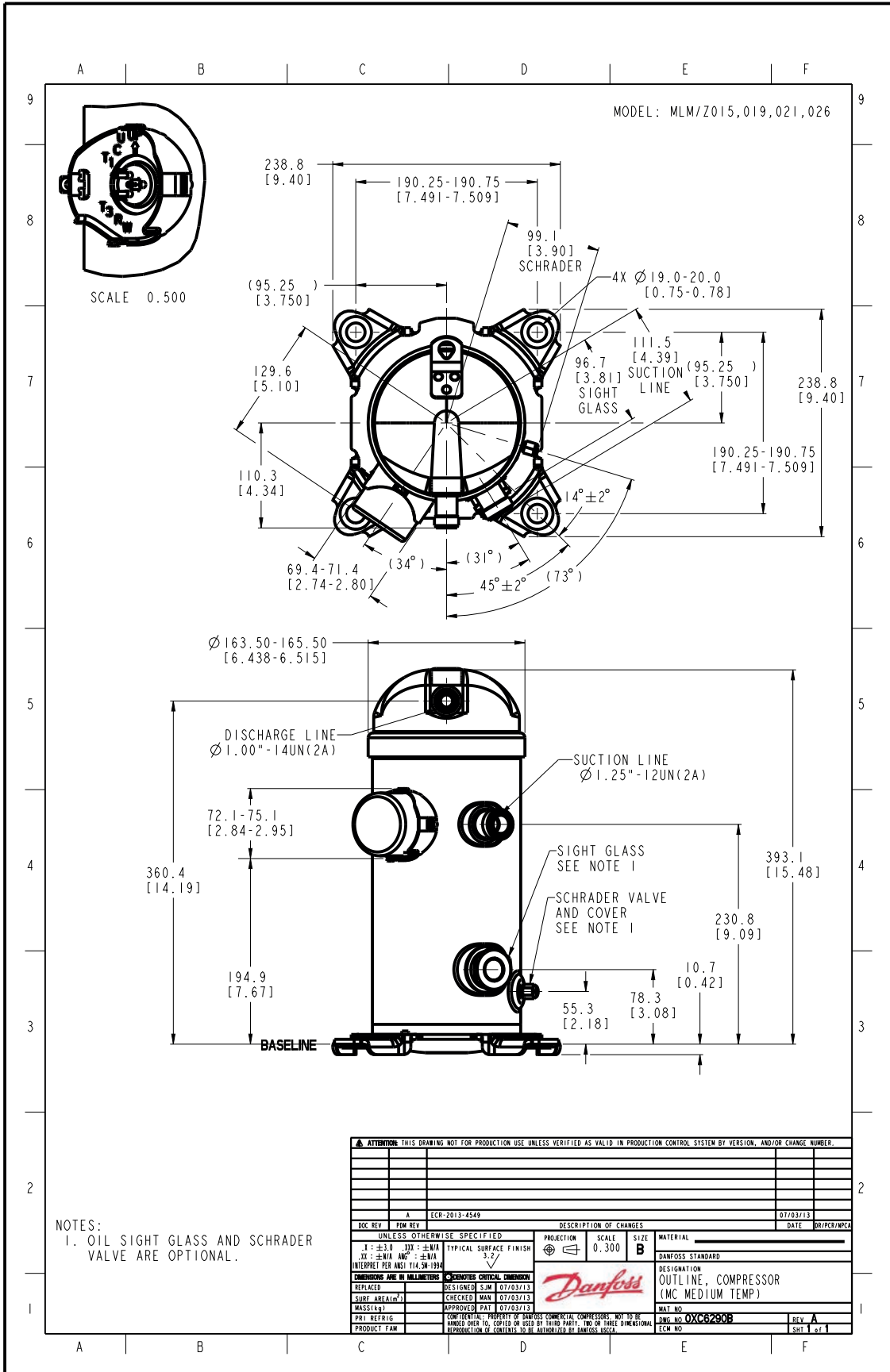
to: Evaporating temperature at dew point

tc: Condensing temperature at dew point

Rating conditions : Superheat = 11.1 K , Subcooling = 8.3 K

All performance data +/- 5%

Danfoss can accept no responsibility for possible errors in catalogues, brochures and other printed material. Danfoss reserves the right to alter its products without notice. This also applies to products already on order provided that such alternations can be made without subsequential changes being necessary in specifications already agreed. All trademarks in this material are property of the respective companies. Danfoss and the Danfoss logotype are trademarks of Danfoss A/S. All rights reserved.



Danfoss can accept no responsibility for possible errors in catalogues, brochures and other printed material. Danfoss reserves the right to alter its products without notice. This also applies to products already on order provided that such alterations can be made without consequential changes being necessary in specifications already agreed. All trademarks in this material are property of the respective companies. Danfoss, the Danfoss logotype and Maneurop are trademarks of Danfoss A/S. All rights reserved.