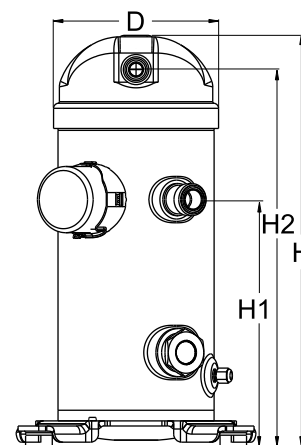


General Characteristics

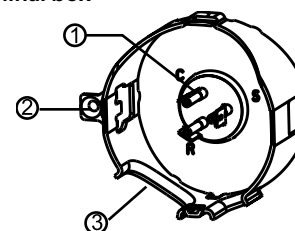
Model number (on compressor nameplate)		MLZ019T5LT9
Code number for Singlepack*		121U8523
Code number for Industrial pack**		121U8522
Drawing number		0XC6290B-1
Suction and discharge connections		Rotolock
Suction connection		1-1/4 " Rotolock
Discharge connection		1 " Rotolock
Suction connection with supplied sleeve		3/4 " -
Discharge connection with supplied sleeve	- "	1/2 " -
Oil sight glass		Threaded
Oil equalisation connection		None
Oil drain connection		None
LP gauge port		None
IPR valve		None
Swept volume		43,51 cm ³ /rev
Displacement @ Nominal speed		7.6 m ³ /h @ 2900 rpm
Net weight		31 kg
Oil charge		1,06 litre, PVE - -
Maximum system test pressure Low Side / High side		- bar(g) / - bar(g)
Maximum differential test pressure		- bar
Maximum number of starts per hour		12
Refrigerant charge limit		3,63 kg
Approved refrigerants		R404A, R507, R134a, R407A, R407C, R407F, R22

Dimensions


D=184 mm
H=412,1 mm
H1=249,8 mm
H2=379,4 mm
H3=- mm

Electrical Characteristics

Nominal voltage	230V/1/50Hz
Voltage range	207-253 V
Winding resistance (main / start) at 25°C	0,689 Ω / 1,509 Ω
Run capacitors A + C	70 μF + - μF
Start capacitor B	145-175 μF
Start relay	RVA9CKL
Rated Load Amps (RLA)	14.7 A
Maximum Continuous Current (MCC)	23 A
Locked Rotor Amps (LRA)	97 A
Motor protection	Internal overload protector

Terminal box


IP22

- 1: Spade connectors 1/4"
- 2: Earth connection
- 3: Power cable passage

Recommended Installation torques

Oil sight glass	52,5 Nm
Power connections / Earth connection	0 Nm / 0 Nm

Parts shipped with compressor

Mounting kit with grommets and sleeves
Initial oil charge
Installation instructions

Approvals : CE certified, -, -

*Singlepack: Compressor in cardboard box. 121U... optimised for Danfoss pallet, 120U... optimised for US pallet

**Industrial pack: 121U...: 12 unboxed compressors on Danfoss pallet. 120U...: 16 unboxed compressors on US pallet

Rotolock accessories, suction side

Code no.

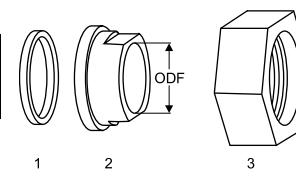
Angle adapter, C04 (1-1/4" Rotolock, 3/4" ODF)	8168006
Rotolock valve, V04 (1-1/4" Rotolock, 3/4" ODF)	8168029
Gasket, 1-1/4"	8156131

Gaskets, sleeves and nuts

Rotolock accessories, discharge side

Code no.

Angle adapter, C01 (1" Rotolock, 3/8" ODF)	8168004
Rotolock valve, V06 (1" Rotolock, 1/2" ODF)	8168031
Gasket, 1"	8156130



- 1: Gasket
- 2: Solder sleeve
- 3: Rotolock nut

Rotolock accessories, sets

Code no.

Teflon seals, sleeves, nuts for discharge and suction (1" and 1"1/4)	120Z5074
Gasket set, 1", 1-1/4", 1-3/4", OSG gaskets black & white	8156009

Oil / lubricants

Code no.

PVE lubricant, 320HV (FVC68D), 1 litre can	120Z5034
--	----------

Crankcase heaters

Code no.

Belt type crankcase heater, 70 W, 240 V, CE mark, UL	120Z5040
--	----------

Miscellaneous accessories

Code no.

Acoustic hood	120Z5043
Discharge thermostat kit	7750009

Spare parts

Code no.

Mounting kit for 1 scroll compressor including 4 grommets, 4 sleeves, 4 bolts, 4 washers	120Z5005
--	----------

Performance data at 50 Hz, EN 12900 rating conditions, Superheat = 10 K
R22

Cond. temp. in °C (tc)	Evaporating temperature in °C (to)							
	-20	-15	-10	-5	0	5	10	

Cooling capacity in W

16	3 978	4 771	5 671	6 721	-	-	-	-	-
20	3 859	4 638	5 516	6 536	7 742	-	-	-	-
30	3 529	4 276	5 101	6 051	7 168	8 495	10 068	-	-
40	3 136	3 855	4 633	5 518	6 552	7 778	9 238	-	-
50	-	3 358	4 094	4 917	5 873	7 005	8 355	-	-
60	-	-	-	4 233	5 114	6 156	7 402	-	-
68	-	-	-	-	-	5 409	6 576	-	-

Power input in W

16	1 060	1 095	1 130	1 165	-	-	-	-	-
20	1 157	1 186	1 216	1 245	1 271	-	-	-	-
30	1 434	1 453	1 472	1 490	1 505	1 516	1 522	-	-
40	1 762	1 777	1 791	1 803	1 812	1 817	1 816	-	-
50	-	2 157	2 173	2 185	2 194	2 197	2 194	-	-
60	-	-	-	2 636	2 650	2 658	2 659	-	-
68	-	-	-	-	-	3 085	3 094	-	-

Current consumption in A

16	5.67	5.86	6.04	6.23	-	-	-	-	-
20	6.19	6.34	6.50	6.66	6.80	-	-	-	-
30	7.67	7.77	7.87	7.97	8.05	8.11	8.14	-	-
40	9.42	9.50	9.58	9.64	9.69	9.72	9.71	-	-
50	-	11.54	11.62	11.68	11.73	11.75	11.73	-	-
60	-	-	-	14.10	14.17	14.21	14.22	-	-
68	-	-	-	-	-	16.50	16.55	-	-

Mass flow in kg/h

16	74	89	106	126	-	-	-	-	-
20	73	88	105	125	147	-	-	-	-
30	72	86	103	122	145	171	200	-	-
40	71	85	102	121	144	169	199	-	-
50	-	82	99	119	141	167	196	-	-
60	-	-	-	112	135	161	191	-	-
68	-	-	-	-	-	153	183	-	-

Coefficient of performance (C.O.P.)

16	3.75	4.36	5.02	5.77	-	-	-	-	-
20	3.34	3.91	4.54	5.25	6.09	-	-	-	-
30	2.46	2.94	3.46	4.06	4.76	5.60	6.61	-	-
40	1.78	2.17	2.59	3.06	3.61	4.28	5.09	-	-
50	-	1.56	1.88	2.25	2.68	3.19	3.81	-	-
60	-	-	-	1.61	1.93	2.32	2.78	-	-
68	-	-	-	-	-	1.75	2.13	-	-

Nominal performance at to = -10 °C, tc = 45 °C

Cooling capacity	4 374	W
Power input	1 974	W
Current consumption	10.56	A
Mass flow	101	kg/h
C.O.P.	2.22	

Pressure switch settings

Maximum HP switch setting	29.8	bar(g)
Minimum LP switch setting	0.5	bar(g)
LP pump down setting	0.95	bar(g)

Sound power data

Sound power level	67	dB(A)
With acoustic hood	59	dB(A)

to: Evaporating temperature at dew point

tc: Condensing temperature at dew point

Rating conditions : Superheat = 10 K , Subcooling = 0 K

All performance data +/- 5%

Performance data at 50 Hz, EN 12900 rating conditions, Suction temp. = 20 °C
R22

Cond. temp. in °C (tc)	Evaporating temperature in °C (to)							
	-20	-15	-10	-5	0	5	10	

Cooling capacity in W

16	3 881	4 669	5 568	6 622	-	-	-	-	-
20	3 775	4 549	5 425	6 449	7 666	-	-	-	-
30	3 478	4 220	5 043	5 993	7 117	8 460	10 068	-	-
40	-	3 833	4 608	5 490	6 525	7 759	9 238	-	-
50	-	-	-	4 921	5 872	7 001	8 355	-	-
60	-	-	-	-	5 138	6 168	7 402	-	-
68	-	-	-	-	-	-	6 576	-	-

Power input in W

16	1 060	1 095	1 130	1 165	-	-	-	-	-
20	1 157	1 186	1 216	1 245	1 271	-	-	-	-
30	1 434	1 453	1 472	1 490	1 505	1 516	1 522	-	-
40	-	1 777	1 791	1 803	1 812	1 817	1 816	-	-
50	-	-	-	2 185	2 194	2 197	2 194	-	-
60	-	-	-	-	2 650	2 658	2 659	-	-
68	-	-	-	-	-	-	3 094	-	-

Current consumption in A

16	5.67	5.86	6.04	6.23	-	-	-	-	-
20	6.19	6.34	6.50	6.66	6.80	-	-	-	-
30	7.67	7.77	7.87	7.97	8.05	8.11	8.14	-	-
40	-	9.50	9.58	9.64	9.69	9.72	9.71	-	-
50	-	-	-	11.68	11.73	11.75	11.73	-	-
60	-	-	-	-	14.17	14.21	14.22	-	-
68	-	-	-	-	-	-	16.55	-	-

Mass flow in kg/h

16	65	80	97	118	-	-	-	-	-
20	64	79	96	116	141	-	-	-	-
30	63	78	94	114	138	167	200	-	-
40	-	77	93	113	137	165	199	-	-
50	-	-	-	111	135	163	196	-	-
60	-	-	-	-	129	158	191	-	-
68	-	-	-	-	-	-	183	-	-

Coefficient of performance (C.O.P.)

16	3.66	4.26	4.93	5.68	-	-	-	-	-
20	3.26	3.84	4.46	5.18	6.03	-	-	-	-
30	2.43	2.90	3.42	4.02	4.73	5.58	6.61	-	-
40	-	2.16	2.57	3.04	3.60	4.27	5.09	-	-
50	-	-	-	2.25	2.68	3.19	3.81	-	-
60	-	-	-	-	1.94	2.32	2.78	-	-
68	-	-	-	-	-	-	2.13	-	-

Nominal performance at to = -10 °C, tc = 45 °C

Cooling capacity	4 365	W
Power input	1 974	W
Current consumption	10.56	A
Mass flow	93	kg/h
C.O.P.	2.21	

Pressure switch settings

Maximum HP switch setting	29.8	bar(g)
Minimum LP switch setting	0.5	bar(g)
LP pump down setting	0.95	bar(g)

Sound power data

Sound power level	67	dB(A)
With acoustic hood	59	dB(A)

to: Evaporating temperature at dew point

tc: Condensing temperature at dew point

Rating conditions : Suction gas temp. = 20 °C , Subcooling = 0 K

All performance data +/- 5%

Performance data at 50 Hz, EN 12900 rating conditions, Superheat = 10 K
R134a

Cond. temp. in °C (tc)	Evaporating temperature in °C (to)							
	-15	-10	-5	0	5	10	15	

Cooling capacity in W

22	2 624	3 320	4 112	5 005	6 003	-	-	-	-
30	2 408	3 075	3 844	4 721	5 711	6 819	-	-	-
40	2 127	2 730	3 444	4 276	5 229	6 309	7 522	-	-
50	-	2 374	3 004	3 761	4 648	5 671	6 835	-	-
60	-	-	2 557	3 210	4 002	4 938	6 025	-	-
70	-	-	-	2 655	3 323	4 144	5 124	-	-
73	-	-	-	2 493	3 118	3 899	4 840	-	-

Power input in W

22	947	954	975	1 006	1 043	-	-	-	-
30	1 087	1 092	1 110	1 138	1 172	1 210	-	-	-
40	1 295	1 299	1 317	1 343	1 376	1 411	1 446	-	-
50	-	1 551	1 569	1 597	1 630	1 666	1 701	-	-
60	-	-	1 874	1 905	1 941	1 979	2 016	-	-
70	-	-	-	2 271	2 313	2 356	2 398	-	-
73	-	-	-	2 393	2 437	2 482	2 526	-	-

Current consumption in A

22	5.06	5.10	5.21	5.38	5.58	-	-	-	-
30	5.81	5.84	5.94	6.09	6.27	6.47	-	-	-
40	6.92	6.95	7.04	7.18	7.36	7.55	7.73	-	-
50	-	8.29	8.39	8.54	8.72	8.91	9.10	-	-
60	-	-	10.02	10.18	10.38	10.58	10.78	-	-
70	-	-	-	12.14	12.37	12.60	12.82	-	-
73	-	-	-	12.80	13.03	13.27	13.51	-	-

Mass flow in kg/h

22	56	70	85	102	120	-	-	-	-
30	55	70	85	103	122	143	-	-	-
40	54	68	84	102	122	145	170	-	-
50	-	66	82	100	121	144	171	-	-
60	-	-	79	97	118	142	169	-	-
70	-	-	-	93	113	137	165	-	-
73	-	-	-	92	112	136	163	-	-

Coefficient of performance (C.O.P.)

22	2.77	3.48	4.22	4.98	5.76	-	-	-	-
30	2.22	2.82	3.46	4.15	4.87	5.64	-	-	-
40	1.64	2.10	2.62	3.18	3.80	4.47	5.20	-	-
50	-	1.53	1.91	2.36	2.85	3.40	4.02	-	-
60	-	-	1.36	1.69	2.06	2.50	2.99	-	-
70	-	-	-	1.17	1.44	1.76	2.14	-	-
73	-	-	-	1.04	1.28	1.57	1.92	-	-

Nominal performance at to = -10 °C, tc = 45 °C

Cooling capacity	2 551	W
Power input	1 419	W
Current consumption	7.59	A
Mass flow	67	kg/h
C.O.P.	1.80	

Pressure switch settings

Maximum HP switch setting	23.6	bar(g)
Minimum LP switch setting	0.45	bar(g)
LP pump down setting	0.85	bar(g)

Sound power data

Sound power level	67	dB(A)
With acoustic hood	59	dB(A)

to: Evaporating temperature at dew point

tc: Condensing temperature at dew point

Rating conditions : Superheat = 10 K , Subcooling = 0 K

All performance data +/- 5%

Performance data at 50 Hz, EN 12900 rating conditions, Suction temp. = 20 °C
R134a

Cond. temp. in °C (tc)	Evaporating temperature in °C (to)							
	-15	-10	-5	0	5	10	15	

Cooling capacity in W

22	2 666	3 359	4 144	5 027	6 013	-	-	-	-
30	-	3 132	3 893	4 758	5 731	6 819	-	-	-
40	-	-	3 515	4 331	5 260	6 309	7 486	-	-
50	-	-	3 096	3 834	4 691	5 671	6 781	-	-
60	-	-	-	3 299	4 055	4 938	-	-	-
70	-	-	-	-	3 387	4 144	-	-	-
73	-	-	-	-	3 185	3 899	-	-	-

Power input in W

22	947	954	975	1 006	1 043	-	-	-	-
30	-	1 092	1 110	1 138	1 172	1 210	-	-	-
40	-	-	1 317	1 343	1 376	1 411	1 446	-	-
50	-	-	1 569	1 597	1 630	1 666	1 701	-	-
60	-	-	-	1 905	1 941	1 979	-	-	-
70	-	-	-	-	2 313	2 356	-	-	-
73	-	-	-	-	2 437	2 482	-	-	-

Current consumption in A

22	5.06	5.10	5.21	5.38	5.58	-	-	-	-
30	-	5.84	5.94	6.09	6.27	6.47	-	-	-
40	-	-	7.04	7.18	7.36	7.55	7.73	-	-
50	-	-	8.39	8.54	8.72	8.91	9.10	-	-
60	-	-	-	10.18	10.38	10.58	-	-	-
70	-	-	-	-	12.37	12.60	-	-	-
73	-	-	-	-	13.03	13.27	-	-	-

Mass flow in kg/h

22	50	64	80	97	117	-	-	-	-
30	-	64	80	98	119	143	-	-	-
40	-	-	79	98	119	145	174	-	-
50	-	-	77	96	118	144	175	-	-
60	-	-	-	93	115	142	-	-	-
70	-	-	-	-	111	137	-	-	-
73	-	-	-	-	109	136	-	-	-

Coefficient of performance (C.O.P.)

22	2.82	3.52	4.25	5.00	5.77	-	-	-	-
30	-	2.87	3.51	4.18	4.89	5.64	-	-	-
40	-	-	2.67	3.22	3.82	4.47	5.18	-	-
50	-	-	1.97	2.40	2.88	3.40	3.99	-	-
60	-	-	-	1.73	2.09	2.50	-	-	-
70	-	-	-	-	1.46	1.76	-	-	-
73	-	-	-	-	1.31	1.57	-	-	-

Nominal performance at to = -10 °C, tc = 45 °C

Cooling capacity	-	W
Power input	-	W
Current consumption	-	A
Mass flow	-	kg/h
C.O.P.	-	

to: Evaporating temperature at dew point

tc: Condensing temperature at dew point

Rating conditions : Suction gas temp. = 20 °C , Subcooling = 0 K

Pressure switch settings

Maximum HP switch setting	23.6	bar(g)
Minimum LP switch setting	0.45	bar(g)
LP pump down setting	0.85	bar(g)

Sound power data

Sound power level	67	dB(A)
With acoustic hood	59	dB(A)

All performance data +/- 5%

Performance data at 50 Hz, EN 12900 rating conditions, Suction temp. = 20 °C
R404A

Cond. temp. in °C (tc)	Evaporating temperature in °C (to)								
	-30	-25	-20	-15	-10	-5	0	5	10

Cooling capacity in W

10	3 060	3 798	4 685	5 736	6 965	-	-	-	-
20	2 788	3 475	4 289	5 245	6 360	7 646	9 121	-	-
30	2 479	3 105	3 839	4 694	5 685	6 829	8 139	9 631	11 318
40	-	2 684	3 329	4 075	4 936	5 929	7 067	8 366	9 841
50	-	-	2 754	3 383	4 106	4 940	5 899	6 998	8 253
60	-	-	-	-	3 189	3 857	4 629	5 521	6 550

Power input in W

10	983	993	1 001	1 007	1 010	-	-	-	-
20	1 231	1 242	1 252	1 259	1 264	1 265	1 263	-	-
30	1 541	1 554	1 566	1 575	1 580	1 582	1 580	1 574	1 562
40	-	1 946	1 959	1 969	1 976	1 979	1 978	1 971	1 960
50	-	-	2 448	2 460	2 468	2 472	2 471	2 465	2 453
60	-	-	-	-	3 072	3 077	3 077	3 071	3 060

Current consumption in A

10	5.26	5.31	5.35	5.38	5.40	-	-	-	-
20	6.58	6.64	6.70	6.73	6.76	6.77	6.75	-	-
30	8.24	8.31	8.37	8.42	8.45	8.46	8.45	8.42	8.35
40	-	10.40	10.48	10.53	10.57	10.58	10.58	10.54	10.48
50	-	-	13.09	13.15	13.20	13.22	13.21	13.18	13.12
60	-	-	-	-	16.43	16.45	16.45	16.42	16.36

Mass flow in kg/h

10	55	73	93	115	141	-	-	-	-
20	57	75	94	116	142	172	207	-	-
30	57	75	93	115	140	170	205	247	296
40	-	72	91	112	137	166	201	242	290
50	-	-	87	107	131	160	194	235	283
60	-	-	-	-	124	153	186	226	274

Coefficient of performance (C.O.P.)

10	3.11	3.83	4.68	5.70	6.89	-	-	-	-
20	2.27	2.80	3.43	4.16	5.03	6.04	7.22	-	-
30	1.61	2.00	2.45	2.98	3.60	4.32	5.15	6.12	7.25
40	-	1.38	1.70	2.07	2.50	3.00	3.57	4.24	5.02
50	-	-	1.13	1.38	1.66	2.00	2.39	2.84	3.36
60	-	-	-	-	1.04	1.25	1.50	1.80	2.14

Nominal performance at to = -10 °C, tc = 45 °C

Cooling capacity	4 532	W
Power input	2 209	W
Current consumption	11.81	A
Mass flow	134	kg/h
C.O.P.	2.05	

Pressure switch settings

Maximum HP switch setting	29.7	bar(g)
Minimum LP switch setting	1.4	bar(g)
LP pump down setting	2	bar(g)

Sound power data

Sound power level	67	dB(A)
With acoustic hood	59	dB(A)

to: Evaporating temperature at dew point

tc: Condensing temperature at dew point

Rating conditions : Suction gas temp. = 20 °C , Subcooling = 0 K

All performance data +/- 5%

Performance data at 50 Hz, EN 12900 rating conditions, Superheat = 10 K
R404A

Cond. temp. in °C (tc)	Evaporating temperature in °C (to)								
	-30	-25	-20	-15	-10	-5	0	5	10

Cooling capacity in W

10	2 940	3 676	4 565	5 625	6 872	-	-	-	-
20	2 622	3 300	4 112	5 075	6 206	7 521	9 034	-	-
30	2 267	2 879	3 605	4 463	5 471	6 646	8 004	9 558	11 318
40	1 871	2 408	3 040	3 786	4 663	5 689	6 884	8 263	9 841
50	-	-	2 416	3 040	3 776	4 646	5 668	6 864	8 253
60	-	-	-	-	2 807	3 509	4 350	5 354	6 550

Power input in W

10	983	993	1 001	1 007	1 010	-	-	-	-
20	1 231	1 242	1 252	1 259	1 264	1 265	1 263	-	-
30	1 541	1 554	1 566	1 575	1 580	1 582	1 580	1 574	1 562
40	1 929	1 946	1 959	1 969	1 976	1 979	1 978	1 971	1 960
50	-	-	2 448	2 460	2 468	2 472	2 471	2 465	2 453
60	-	-	-	-	3 072	3 077	3 077	3 071	3 060

Current consumption in A

10	5.26	5.31	5.35	5.38	5.40	-	-	-	-
20	6.58	6.64	6.70	6.73	6.76	6.77	6.75	-	-
30	8.24	8.31	8.37	8.42	8.45	8.46	8.45	8.42	8.35
40	10.32	10.40	10.48	10.53	10.57	10.58	10.58	10.54	10.48
50	-	-	13.09	13.15	13.20	13.22	13.21	13.18	13.12
60	-	-	-	-	16.43	16.45	16.45	16.42	16.36

Mass flow in kg/h

10	66	85	107	130	156	-	-	-	-
20	68	87	108	131	156	186	219	-	-
30	68	87	107	129	155	183	216	254	296
40	66	85	104	126	151	179	212	249	290
50	-	-	99	121	145	173	205	242	283
60	-	-	-	-	137	165	197	233	274

Coefficient of performance (C.O.P.)

10	2.99	3.70	4.56	5.59	6.80	-	-	-	-
20	2.13	2.66	3.28	4.03	4.91	5.95	7.16	-	-
30	1.47	1.85	2.30	2.83	3.46	4.20	5.06	6.07	7.25
40	0.97	1.24	1.55	1.92	2.36	2.87	3.48	4.19	5.02
50	-	-	0.99	1.24	1.53	1.88	2.29	2.78	3.36
60	-	-	-	-	0.91	1.14	1.41	1.74	2.14

Nominal performance at to = -10 °C, tc = 45 °C

Cooling capacity	4 230	W
Power input	2 209	W
Current consumption	11.81	A
Mass flow	148	kg/h
C.O.P.	1.91	

to: Evaporating temperature at dew point

tc: Condensing temperature at dew point

Rating conditions : Superheat = 10 K , Subcooling = 0 K

Pressure switch settings

Maximum HP switch setting	29.7	bar(g)
Minimum LP switch setting	1.4	bar(g)
LP pump down setting	2	bar(g)

Sound power data

Sound power level	67	dB(A)
With accoustic hood	59	dB(A)

All performance data +/- 5%

Performance data at 50 Hz, EN 12900 rating conditions
R407F

Cond. temp. in °C (tc)	Evaporating temperature in °C (to)							
	-23	-20	-15	-10	-5	0	5	10

Cooling capacity in W

10	3 654	4 171	5 165	6 344	-	-	-	-	-
20	3 295	3 787	4 734	5 858	7 179	8 720	-	-	-
30	2 883	3 339	4 219	5 267	6 506	7 955	9 638	11 575	-
40	2 434	2 842	3 636	4 589	5 725	7 064	8 628	10 438	-
45	-	-	3 324	4 223	5 300	6 576	8 074	9 813	-
50	-	-	-	3 842	4 855	6 064	7 489	9 153	-
55	-	-	-	-	4 392	5 528	6 876	8 459	-
60	-	-	-	-	-	-	-	-	-

Power input in W

10	1 099	1 101	1 104	1 105	-	-	-	-	-
20	1 332	1 340	1 350	1 355	1 358	1 361	-	-	-
30	1 622	1 637	1 656	1 670	1 679	1 686	1 690	1 695	-
40	1 993	2 017	2 050	2 075	2 093	2 107	2 117	2 125	-
45	-	-	2 288	2 319	2 343	2 362	2 375	2 386	-
50	-	-	-	2 596	2 627	2 650	2 669	2 683	-
55	-	-	-	-	2 946	2 976	3 000	3 018	-
60	-	-	-	-	-	-	-	-	-

Current consumption in A

10	6.32	6.40	6.48	6.52	-	-	-	-	-
20	8.32	8.41	8.51	8.56	8.58	8.59	-	-	-
30	9.48	9.57	9.67	9.73	9.76	9.77	9.79	9.83	-
40	10.51	10.59	10.68	10.74	10.77	10.78	10.81	10.85	-
45	-	-	11.36	11.41	11.43	11.45	11.47	11.51	-
50	-	-	-	12.31	12.33	12.34	12.35	12.39	-
55	-	-	-	-	13.54	13.54	13.55	13.58	-
60	-	-	-	-	-	-	-	-	-

Mass flow in kg/h

10	64	72	89	107	-	-	-	-	-
20	62	71	87	107	129	155	-	-	-
30	59	68	85	104	127	153	183	218	-
40	55	64	80	100	122	149	180	215	-
45	-	-	77	97	119	146	177	212	-
50	-	-	-	93	116	142	173	208	-
55	-	-	-	-	112	138	169	204	-
60	-	-	-	-	-	-	-	-	-

Coefficient of performance (C.O.P.)

10	3.33	3.79	4.68	5.74	-	-	-	-	-
20	2.47	2.83	3.51	4.32	5.29	6.41	-	-	-
30	1.78	2.04	2.55	3.15	3.87	4.72	5.70	6.83	-
40	1.22	1.41	1.77	2.21	2.73	3.35	4.08	4.91	-
45	-	-	1.45	1.82	2.26	2.78	3.40	4.11	-
50	-	-	-	1.48	1.85	2.29	2.81	3.41	-
55	-	-	-	-	1.49	1.86	2.29	2.80	-
60	-	-	-	-	-	-	-	-	-

Nominal performance at to = -10 °C, tc = 45 °C

Cooling capacity	4 223	W
Power input	2 319	W
Current consumption	11.41	A
Mass flow	97	kg/h
C.O.P.	1.82	

Pressure switch settings

Maximum HP switch setting	29.7	bar(g)
Minimum LP switch setting	1.4	bar(g)
LP pump down setting	2	bar(g)

Sound power data

Sound power level	67	dB(A)
With acoustic hood	59	dB(A)

to: Evaporating temperature at dew point

tc: Condensing temperature at dew point

Rating conditions : Superheat = 10 K , Subcooling = 0 K

All performance data +/- 5%

Danfoss can accept no responsibility for possible errors in catalogues, brochures and other printed material. Danfoss reserves the right to alter its products without notice. This also applies to products already on order provided that such alternations can be made without subsequential changes being necessary in specifications already agreed. All trademarks in this material are property of the respective companies. Danfoss and the Danfoss logotype are trademarks of Danfoss A/S. All rights reserved.

Performance data at 50 Hz, ARI rating conditions
R407F

Cond. temp. in °C (tc)	Evaporating temperature in °C (to)							
	-23	-20	-15	-10	-5	0	5	10

Cooling capacity in W

10	3 862	4 406	5 453	6 692	-	-	-	-	-
20	3 503	4 025	5 027	6 215	7 611	9 237	-	-	-
30	3 088	3 575	4 512	5 628	6 945	8 485	10 271	12 325	-
40	-	3 073	3 926	4 950	6 168	7 603	9 276	11 211	-
45	-	-	3 612	4 582	5 743	7 118	8 728	10 597	-
50	-	-	-	4 198	5 298	6 608	8 150	9 949	-
55	-	-	-	-	-	6 076	7 547	9 272	-
60	-	-	-	-	-	-	-	-	-

Power input in W

10	1 099	1 101	1 104	1 105	-	-	-	-	-
20	1 332	1 340	1 350	1 355	1 358	1 361	-	-	-
30	1 622	1 637	1 656	1 670	1 679	1 686	1 690	1 695	-
40	-	2 017	2 050	2 075	2 093	2 107	2 117	2 125	-
45	-	-	2 288	2 319	2 343	2 362	2 375	2 386	-
50	-	-	-	2 596	2 627	2 650	2 669	2 683	-
55	-	-	-	-	-	2 976	3 000	3 018	-
60	-	-	-	-	-	-	-	-	-

Current consumption in A

10	6.32	6.40	6.48	6.52	-	-	-	-	-
20	8.32	8.41	8.51	8.56	8.58	8.59	-	-	-
30	9.48	9.57	9.67	9.73	9.76	9.77	9.79	9.83	-
40	-	10.59	10.68	10.74	10.77	10.78	10.81	10.85	-
45	-	-	11.36	11.41	11.43	11.45	11.47	11.51	-
50	-	-	-	12.31	12.33	12.34	12.35	12.39	-
55	-	-	-	-	-	13.54	13.55	13.58	-
60	-	-	-	-	-	-	-	-	-

Mass flow in kg/h

10	63	72	88	107	-	-	-	-	-
20	62	70	87	106	128	154	-	-	-
30	59	68	84	104	126	152	182	216	-
40	-	63	80	99	122	148	179	213	-
45	-	-	77	96	119	145	176	211	-
50	-	-	-	93	115	142	172	207	-
55	-	-	-	-	-	137	168	203	-
60	-	-	-	-	-	-	-	-	-

Coefficient of performance (C.O.P.)

10	3.52	4.00	4.94	6.06	-	-	-	-	-
20	2.63	3.00	3.73	4.59	5.60	6.79	-	-	-
30	1.90	2.18	2.72	3.37	4.14	5.03	6.08	7.27	-
40	-	1.52	1.92	2.39	2.95	3.61	4.38	5.28	-
45	-	-	1.58	1.98	2.45	3.01	3.67	4.44	-
50	-	-	-	1.62	2.02	2.49	3.05	3.71	-
55	-	-	-	-	-	2.04	2.52	3.07	-
60	-	-	-	-	-	-	-	-	-

Nominal performance at to = -10 °C, tc = 45 °C

Cooling capacity	4 582	W
Power input	2 319	W
Current consumption	11.41	A
Mass flow	96	kg/h
C.O.P.	1.98	

Pressure switch settings

Maximum HP switch setting	29.7	bar(g)
Minimum LP switch setting	1.4	bar(g)
LP pump down setting	2	bar(g)

Sound power data

Sound power level	67	dB(A)
With acoustic hood	59	dB(A)

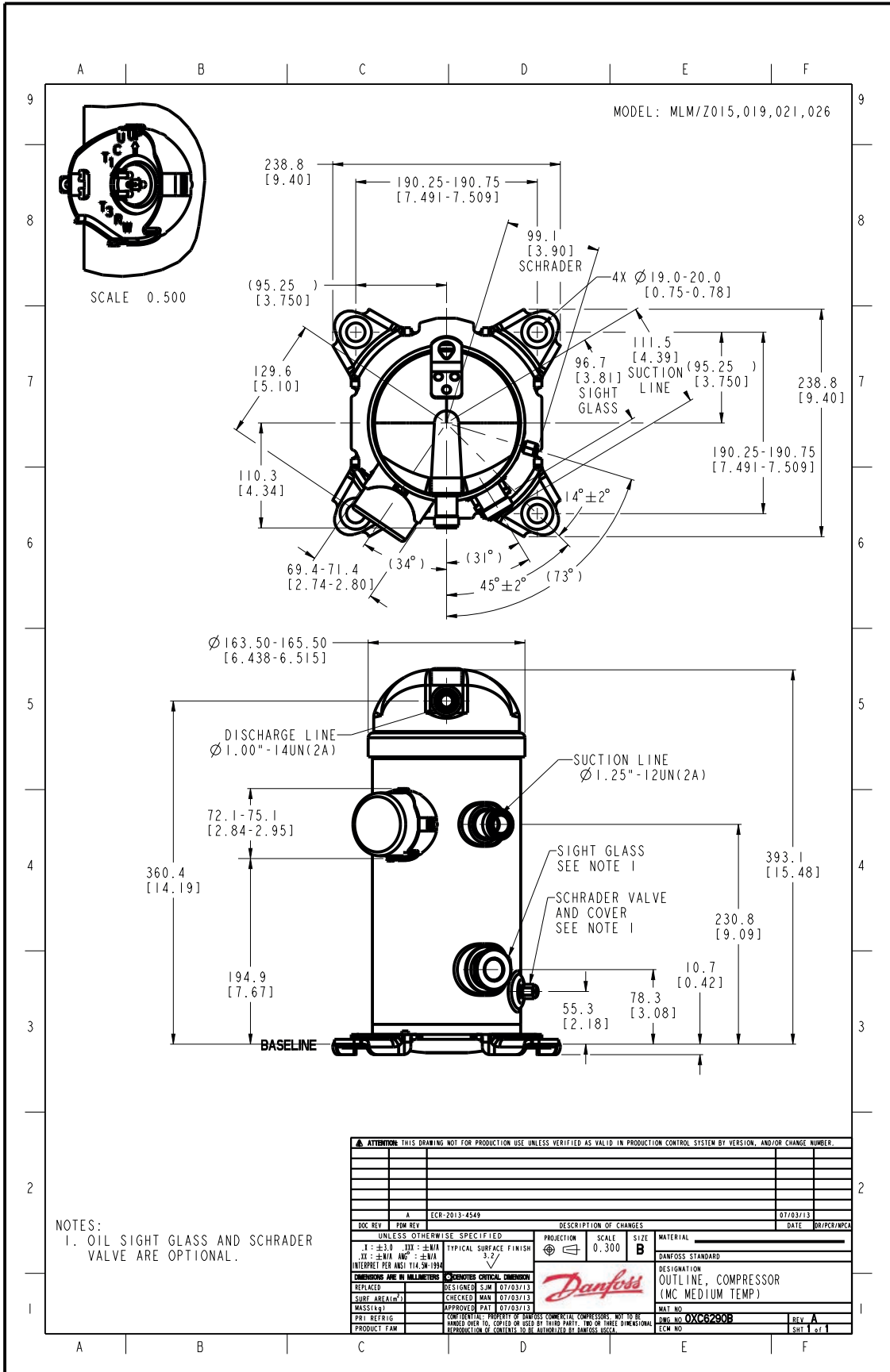
to: Evaporating temperature at dew point

tc: Condensing temperature at dew point

Rating conditions : Superheat = 11.1 K , Subcooling = 8.3 K

All performance data +/- 5%

Danfoss can accept no responsibility for possible errors in catalogues, brochures and other printed material. Danfoss reserves the right to alter its products without notice. This also applies to products already on order provided that such alternations can be made without subsequential changes being necessary in specifications already agreed. All trademarks in this material are property of the respective companies. Danfoss and the Danfoss logotype are trademarks of Danfoss A/S. All rights reserved.



Danfoss can accept no responsibility for possible errors in catalogues, brochures and other printed material. Danfoss reserves the right to alter its products without notice. This also applies to products already on order provided that such alternations can be made without consequential changes being necessary in specifications already agreed. All trademarks in this material are property of the respective companies. Danfoss, the Danfoss logotype and Maneurop are trademarks of Danfoss A/S. All rights reserved.