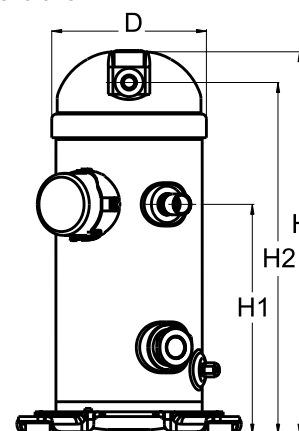


General Characteristics

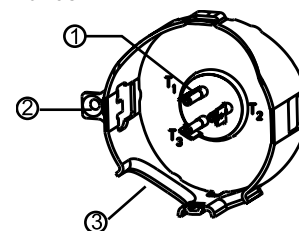
	MLZ021T4LP9	MLZ021T4LP9
Model number (on compressor nameplate)	121U8006	120U8006
Code number for Singlepack*	121U8005	120U8005
Code number for Industrial pack**	0XC6300B-1	0XC6300B-1
Drawing number	Brazed	Brazed
Suction and discharge connections	3/4" ODF	3/4" ODF
Suction connection	1/2" ODF	1/2" ODF
Discharge connection	Threaded	Threaded
Oil sight glass	None	None
Oil equalisation connection	1/4" flare	1/4" flare
Oil drain connection	None	None
LP gauge port	32 bar	32 bar
IPR valve	46,21 cm ³ /rev	
Swept volume	8.0 m ³ /h @ 2900 rpm - 9.7 m ³ /h @ 3500 rpm	
Displacement @ Nominal speed	31 kg	
Net weight	1,06 litre, PVE --	
Oil charge	- bar(g) / - bar(g)	
Maximum system test pressure Low Side / High side	- bar	
Maximum differential test pressure	12	
Maximum number of starts per hour	3,63 kg	
Refrigerant charge limit	R404A, R507, R134a, R407A, R407C, R407F, R22	
Approved refrigerants		

Dimensions


D=164,5 mm
H=412 mm
H1=250 mm
H2=379 mm
H3= mm

Electrical Characteristics

Nominal voltage	380-400V/3/50Hz - 460V/3/60Hz
Voltage range	340-460 V @ 50Hz - 414-506 V @ 60Hz
Winding resistance between phases 1-2 +/- 7% at 25°C	4.664 Ω
Winding resistance between phases 1-3 +/- 7% at 25°C	3.422 Ω
Winding resistance between phases 2-3 +/- 7% at 25°C	4.664 Ω
Rated Load Amps (RLA)	6.1 A
Maximum Continuous Current (MCC)	9.5 A
Locked Rotor Amps (LRA)	45 A
Motor protection	Internal overload protector

Terminal box


IP22

- 1: Spade connectors 1/4"
- 2: Earth connection
- 3: Power cable passage

Recommended Installation torques

Suction Rotolock nut or valve	0 Nm
Discharge Rotolock nut or valve	0 Nm
Oil sight glass	52,5 Nm
Power connections / Earth connection	0 Nm / 0 Nm

Parts shipped with compressor

Mounting kit with grommets and sleeves
Initial oil charge
Installation instructions

Approvals : CE certified, UL certified (file SA11565), -

*Singlepack: Compressor in cardboard box. 121U... optimised for Danfoss pallet, 120U... optimised for US pallet

**Industrial pack: 121U...: 12 unboxed compressors on Danfoss pallet. 120U...: 16 unboxed compressors on US pallet

Rotolock accessories, suction side

Code no.

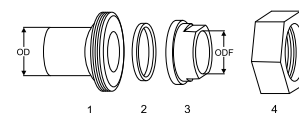
Solder sleeve, P04 (1-1/4" Rotolock, 3/4" ODF)	8153008
Angle adapter, C04 (1-1/4" Rotolock, 3/4" ODF)	8168006
Rotolock valve, V04 (1-1/4" Rotolock, 3/4" ODF)	8168029
Gasket, 1-1/4"	8156131

Rotolock accessories, discharge side

Code no.

Solder sleeve, P06 (1" Rotolock, 1/2" ODF)	8153007
Angle adapter, C06 (1" Rotolock, 1/2" ODF)	8168007
Rotolock valve, V06 (1" Rotolock, 1/2" ODF)	8168031
Gasket, 1"	8156130

Solder sleeve adapter set



- 1: Rotolock adapter (Suc & Dis)
- 2: Gasket (Suc & Dis)
- 3: Solder sleeve (Suc & Dis)
- 4: Rotolock nut (Suc & Dis)

Rotolock accessories, sets

Code no.

Solder sleeve adapter set (1-1/4" Rotolock, 3/4" ODF), (1" Rotolock, 1/2" ODF)	120Z0126
Gasket set, 1", 1-1/4", 1-3/4", OSG gaskets black & white	8156009

Oil / lubricants

Code no.

PVE lubricant, 320HV (FVC68D), 1 litre can	120Z5034
--	----------

Crankcase heaters

Code no.

Belt type crankcase heater, 70 W, 240 V, CE mark, UL	120Z5040
Belt type crankcase heater, 70 W, 400/460V, CE mark, UL	120Z5041

Miscellaneous accessories

Code no.

Acoustic hood	120Z5043
Discharge thermostat kit	7750009

Spare parts

Code no.

Mounting kit for 1 scroll compressor including 4 grommets, 4 sleeves, 4 bolts, 4 washers	120Z5005
--	----------

Performance data at 50 Hz, EN 12900 rating conditions, Superheat = 10 K
R22

Cond. temp. in °C (tc)	Evaporating temperature in °C (to)							
	-20	-15	-10	-5	0	5	10	

Cooling capacity in W

16	4 362	5 186	6 120	7 197	-	-	-	-	-
20	4 166	4 992	5 924	6 993	8 231	-	-	-	-
30	3 694	4 505	5 410	6 443	7 635	9 017	10 615	-	-
40	3 247	4 015	4 868	5 838	6 958	8 260	9 772	-	-
50	-	3 527	4 300	5 180	6 202	7 398	8 799	-	-
60	-	-	-	4 473	5 371	6 434	7 697	-	-
68	-	-	-	-	-	5 592	6 726	-	-

Power input in W

16	938	972	1 011	1 056	-	-	-	-	-
20	1 096	1 127	1 162	1 199	1 241	-	-	-	-
30	1 433	1 465	1 495	1 522	1 548	1 573	1 597	-	-
40	1 748	1 791	1 826	1 854	1 875	1 889	1 898	-	-
50	-	2 181	2 232	2 270	2 297	2 312	2 315	-	-
60	-	-	-	2 848	2 890	2 916	2 924	-	-
68	-	-	-	-	-	3 581	3 601	-	-

Current consumption in A

16	1.80	1.87	1.95	2.03	-	-	-	-	-
20	2.11	2.17	2.24	2.31	2.39	-	-	-	-
30	2.76	2.82	2.88	2.93	2.98	3.03	3.07	-	-
40	3.36	3.45	3.51	3.57	3.61	3.64	3.65	-	-
50	-	4.20	4.30	4.37	4.42	4.45	4.46	-	-
60	-	-	-	5.48	5.56	5.61	5.63	-	-
68	-	-	-	-	-	6.89	6.93	-	-

Mass flow in kg/h

16	91	106	121	140	-	-	-	-	-
20	87	102	119	137	159	-	-	-	-
30	80	96	114	133	156	182	211	-	-
40	75	91	110	130	153	180	210	-	-
50	-	86	105	125	149	175	206	-	-
60	-	-	-	118	141	168	198	-	-
68	-	-	-	-	-	159	189	-	-

Coefficient of performance (C.O.P.)

16	4.65	5.34	6.05	6.82	-	-	-	-	-
20	3.80	4.43	5.10	5.83	6.63	-	-	-	-
30	2.58	3.08	3.62	4.23	4.93	5.73	6.65	-	-
40	1.86	2.24	2.67	3.15	3.71	4.37	5.15	-	-
50	-	1.62	1.93	2.28	2.70	3.20	3.80	-	-
60	-	-	-	1.57	1.86	2.21	2.63	-	-
68	-	-	-	-	-	1.56	1.87	-	-

Nominal performance at to = -10 °C, tc = 45 °C

Cooling capacity	4 587	W
Power input	2 015	W
Current consumption	3.88	A
Mass flow	107	kg/h
C.O.P.	2.28	

Pressure switch settings

Maximum HP switch setting	29.8	bar(g)
Minimum LP switch setting	0.5	bar(g)
LP pump down setting	0.95	bar(g)

Sound power data

Sound power level	67	dB(A)
With acoustic hood	59	dB(A)

to: Evaporating temperature at dew point

tc: Condensing temperature at dew point

Rating conditions : Superheat = 10 K , Subcooling = 0 K

All performance data +/- 5%

Performance data at 50 Hz, EN 12900 rating conditions, Suction temp. = 20 °C
R22

Cond. temp. in °C (tc)	Evaporating temperature in °C (to)							
	-20	-15	-10	-5	0	5	10	

Cooling capacity in W

16	4 255	5 075	6 009	7 091	-	-	-	-	-
20	4 076	4 896	5 826	6 899	8 151	-	-	-	-
30	3 641	4 446	5 348	6 381	7 580	8 980	10 615	-	-
40	-	3 993	4 841	5 809	6 930	8 239	9 772	-	-
50	-	-	-	5 184	6 201	7 394	8 799	-	-
60	-	-	-	-	5 395	6 447	7 697	-	-
68	-	-	-	-	-	-	6 726	-	-

Power input in W

16	938	972	1 011	1 056	-	-	-	-	-
20	1 096	1 127	1 162	1 199	1 241	-	-	-	-
30	1 433	1 465	1 495	1 522	1 548	1 573	1 597	-	-
40	-	1 791	1 826	1 854	1 875	1 889	1 898	-	-
50	-	-	-	2 270	2 297	2 312	2 315	-	-
60	-	-	-	-	2 890	2 916	2 924	-	-
68	-	-	-	-	-	-	3 601	-	-

Current consumption in A

16	1.80	1.87	1.95	2.03	-	-	-	-	-
20	2.11	2.17	2.24	2.31	2.39	-	-	-	-
30	2.76	2.82	2.88	2.93	2.98	3.03	3.07	-	-
40	-	3.45	3.51	3.57	3.61	3.64	3.65	-	-
50	-	-	-	4.37	4.42	4.45	4.46	-	-
60	-	-	-	-	5.56	5.61	5.63	-	-
68	-	-	-	-	-	-	6.93	-	-

Mass flow in kg/h

16	80	95	111	130	-	-	-	-	-
20	77	92	109	128	152	-	-	-	-
30	70	86	104	125	149	177	211	-	-
40	-	82	100	121	146	175	210	-	-
50	-	-	-	117	142	171	206	-	-
60	-	-	-	-	135	164	198	-	-
68	-	-	-	-	-	-	189	-	-

Coefficient of performance (C.O.P.)

16	4.54	5.22	5.94	6.72	-	-	-	-	-
20	3.72	4.34	5.01	5.75	6.57	-	-	-	-
30	2.54	3.04	3.58	4.19	4.90	5.71	6.65	-	-
40	-	2.23	2.65	3.13	3.70	4.36	5.15	-	-
50	-	-	-	2.28	2.70	3.20	3.80	-	-
60	-	-	-	-	1.87	2.21	2.63	-	-
68	-	-	-	-	-	-	1.87	-	-

Nominal performance at to = -10 °C, tc = 45 °C

Cooling capacity	4 578	W
Power input	2 015	W
Current consumption	3.88	A
Mass flow	98	kg/h
C.O.P.	2.27	

Pressure switch settings

Maximum HP switch setting	29.8	bar(g)
Minimum LP switch setting	0.5	bar(g)
LP pump down setting	0.95	bar(g)

Sound power data

Sound power level	67	dB(A)
With acoustic hood	59	dB(A)

to: Evaporating temperature at dew point

tc: Condensing temperature at dew point

Rating conditions : Suction gas temp. = 20 °C , Subcooling = 0 K

All performance data +/- 5%

Performance data at 50 Hz, EN 12900 rating conditions, Superheat = 10 K
R134a

Cond. temp. in °C (tc)	Evaporating temperature in °C (to)							
	-15	-10	-5	0	5	10	15	

Cooling capacity in W

22	2 767	3 475	4 332	5 348	6 532	-	-	-	-
30	2 556	3 221	4 027	4 983	6 101	7 389	-	-	-
40	2 275	2 881	3 617	4 493	5 521	6 709	8 069	-	-
50	-	2 521	3 181	3 971	4 901	5 983	7 225	-	-
60	-	-	2 725	3 421	4 248	5 216	6 335	-	-
70	-	-	-	2 851	3 568	4 415	5 404	-	-
73	-	-	-	2 677	3 359	4 169	5 117	-	-

Power input in W

22	818	824	831	841	855	-	-	-	-
30	971	983	993	1 002	1 014	1 030	-	-	-
40	1 180	1 203	1 220	1 234	1 246	1 259	1 275	-	-
50	-	1 461	1 489	1 511	1 528	1 542	1 556	-	-
60	-	-	1 815	1 849	1 875	1 895	1 911	-	-
70	-	-	-	2 264	2 303	2 333	2 355	-	-
73	-	-	-	2 406	2 450	2 483	2 508	-	-

Current consumption in A

22	1.57	1.59	1.60	1.62	1.64	-	-	-	-
30	1.87	1.89	1.91	1.93	1.95	1.98	-	-	-
40	2.27	2.32	2.35	2.37	2.40	2.42	2.45	-	-
50	-	2.81	2.87	2.91	2.94	2.97	2.99	-	-
60	-	-	3.49	3.56	3.61	3.65	3.68	-	-
70	-	-	-	4.36	4.43	4.49	4.53	-	-
73	-	-	-	4.63	4.71	4.78	4.83	-	-

Mass flow in kg/h

22	61	75	92	110	132	-	-	-	-
30	59	74	91	110	131	156	-	-	-
40	57	72	89	108	130	155	182	-	-
50	-	69	86	106	128	153	180	-	-
60	-	-	84	103	125	150	177	-	-
70	-	-	-	100	122	146	174	-	-
73	-	-	-	100	121	145	173	-	-

Coefficient of performance (C.O.P.)

22	3.38	4.22	5.21	6.36	7.64	-	-	-	-
30	2.63	3.28	4.06	4.97	6.02	7.18	-	-	-
40	1.93	2.39	2.96	3.64	4.43	5.33	6.33	-	-
50	-	1.73	2.14	2.63	3.21	3.88	4.64	-	-
60	-	-	1.50	1.85	2.27	2.75	3.31	-	-
70	-	-	-	1.26	1.55	1.89	2.29	-	-
73	-	-	-	1.11	1.37	1.68	2.04	-	-

Nominal performance at to = -10 °C, tc = 45 °C

Cooling capacity	2 703	W
Power input	1 326	W
Current consumption	2.55	A
Mass flow	71	kg/h
C.O.P.	2.04	

Pressure switch settings

Maximum HP switch setting	23.6	bar(g)
Minimum LP switch setting	0.45	bar(g)
LP pump down setting	0.85	bar(g)

Sound power data

Sound power level	67	dB(A)
With acoustic hood	59	dB(A)

to: Evaporating temperature at dew point

tc: Condensing temperature at dew point

Rating conditions : Superheat = 10 K , Subcooling = 0 K

All performance data +/- 5%

Performance data at 50 Hz, EN 12900 rating conditions, Suction temp. = 20 °C
R134a

Cond. temp. in °C (tc)	Evaporating temperature in °C (to)							
	-15	-10	-5	0	5	10	15	

Cooling capacity in W

22	2 811	3 516	4 366	5 371	6 543	-	-	-	-
30	-	3 281	4 079	5 022	6 121	7 389	-	-	-
40	-	-	3 691	4 551	5 554	6 709	8 031	-	-
50	-	-	3 278	4 048	4 946	5 983	7 168	-	-
60	-	-	-	3 517	4 305	5 216	-	-	-
70	-	-	-	-	3 637	4 415	-	-	-
73	-	-	-	-	3 432	4 169	-	-	-

Power input in W

22	818	824	831	841	855	-	-	-	-
30	-	983	993	1 002	1 014	1 030	-	-	-
40	-	-	1 220	1 234	1 246	1 259	1 275	-	-
50	-	-	1 489	1 511	1 528	1 542	1 556	-	-
60	-	-	-	1 849	1 875	1 895	-	-	-
70	-	-	-	-	2 303	2 333	-	-	-
73	-	-	-	-	2 450	2 483	-	-	-

Current consumption in A

22	1.57	1.59	1.60	1.62	1.64	-	-	-	-
30	-	1.89	1.91	1.93	1.95	1.98	-	-	-
40	-	-	2.35	2.37	2.40	2.42	2.45	-	-
50	-	-	2.87	2.91	2.94	2.97	2.99	-	-
60	-	-	-	3.56	3.61	3.65	-	-	-
70	-	-	-	-	4.43	4.49	-	-	-
73	-	-	-	-	4.71	4.78	-	-	-

Mass flow in kg/h

22	55	69	86	105	129	-	-	-	-
30	-	68	85	105	128	156	-	-	-
40	-	-	83	103	127	155	187	-	-
50	-	-	81	101	125	153	185	-	-
60	-	-	-	99	122	150	-	-	-
70	-	-	-	-	119	146	-	-	-
73	-	-	-	-	118	145	-	-	-

Coefficient of performance (C.O.P.)

22	3.44	4.27	5.25	6.39	7.66	-	-	-	-
30	-	3.34	4.11	5.01	6.04	7.18	-	-	-
40	-	-	3.03	3.69	4.46	5.33	6.30	-	-
50	-	-	2.20	2.68	3.24	3.88	4.61	-	-
60	-	-	-	1.90	2.30	2.75	-	-	-
70	-	-	-	-	1.58	1.89	-	-	-
73	-	-	-	-	1.40	1.68	-	-	-

Nominal performance at to = -10 °C, tc = 45 °C

Cooling capacity	-	W
Power input	-	W
Current consumption	-	A
Mass flow	-	kg/h
C.O.P.	-	

to: Evaporating temperature at dew point

tc: Condensing temperature at dew point

Rating conditions : Suction gas temp. = 20 °C , Subcooling = 0 K

Pressure switch settings

Maximum HP switch setting	23.6	bar(g)
Minimum LP switch setting	0.45	bar(g)
LP pump down setting	0.85	bar(g)

Sound power data

Sound power level	67	dB(A)
With acoustic hood	59	dB(A)

All performance data +/- 5%

Performance data at 50 Hz, EN 12900 rating conditions, Suction temp. = 20 °C
R404A

Cond. temp. in °C (tc)	Evaporating temperature in °C (to)								
	-30	-25	-20	-15	-10	-5	0	5	10

Cooling capacity in W

10	3 186	3 958	4 879	5 970	7 252	-	-	-	-
20	2 899	3 622	4 468	5 457	6 613	7 955	9 506	-	-
30	2 569	3 238	4 004	4 889	5 913	7 098	8 467	10 039	11 835
40	-	2 795	3 477	4 251	5 139	6 163	7 345	8 704	10 264
50	-	-	2 872	3 532	4 280	5 138	6 127	7 270	8 588
60	-	-	-	-	3 321	4 008	4 802	5 725	6 798

Power input in W

10	1 088	1 043	1 019	1 016	1 033	-	-	-	-
20	1 320	1 295	1 283	1 283	1 294	1 317	1 352	-	-
30	1 602	1 601	1 604	1 609	1 617	1 628	1 642	1 658	1 676
40	-	1 986	2 006	2 020	2 028	2 030	2 025	2 014	1 996
50	-	-	2 517	2 542	2 552	2 548	2 528	2 492	2 442
60	-	-	-	-	3 217	3 208	3 175	3 119	3 038

Current consumption in A

10	2.24	2.15	2.10	2.09	2.13	-	-	-	-
20	2.72	2.67	2.65	2.65	2.67	2.72	2.79	-	-
30	3.30	3.30	3.31	3.32	3.33	3.36	3.38	3.42	3.46
40	-	4.10	4.14	4.17	4.18	4.18	4.18	4.15	4.12
50	-	-	5.19	5.24	5.26	5.25	5.21	5.14	5.03
60	-	-	-	-	6.63	6.61	6.55	6.43	6.26

Mass flow in kg/h

10	58	77	98	122	149	-	-	-	-
20	61	79	99	122	150	181	218	-	-
30	62	79	98	121	148	179	216	259	309
40	-	77	96	118	144	175	212	255	304
50	-	-	91	113	138	169	206	248	298
60	-	-	-	-	131	161	197	240	290

Coefficient of performance (C.O.P.)

10	2.93	3.79	4.79	5.88	7.02	-	-	-	-
20	2.20	2.80	3.48	4.25	5.11	6.04	7.03	-	-
30	1.60	2.02	2.50	3.04	3.66	4.36	5.16	6.06	7.06
40	-	1.41	1.73	2.10	2.53	3.04	3.63	4.32	5.14
50	-	-	1.14	1.39	1.68	2.02	2.42	2.92	3.52
60	-	-	-	-	1.03	1.25	1.51	1.84	2.24

Nominal performance at to = -10 °C, tc = 45 °C

Cooling capacity	4 721	W
Power input	2 274	W
Current consumption	4.69	A
Mass flow	141	kg/h
C.O.P.	2.08	

Pressure switch settings

Maximum HP switch setting	29.7	bar(g)
Minimum LP switch setting	1.4	bar(g)
LP pump down setting	2	bar(g)

Sound power data

Sound power level	67	dB(A)
With acoustic hood	59	dB(A)

to: Evaporating temperature at dew point

tc: Condensing temperature at dew point

Rating conditions : Suction gas temp. = 20 °C , Subcooling = 0 K

All performance data +/- 5%

Performance data at 50 Hz, EN 12900 rating conditions, Superheat = 10 K
R404A

Cond. temp. in °C (tc)	Evaporating temperature in °C (to)								
	-30	-25	-20	-15	-10	-5	0	5	10

Cooling capacity in W

10	3 061	3 831	4 754	5 855	7 155	-	-	-	-
20	2 726	3 439	4 283	5 280	6 453	7 825	9 416	-	-
30	2 350	3 002	3 760	4 649	5 690	6 909	8 326	9 963	11 835
40	1 924	2 508	3 175	3 950	4 855	5 915	7 154	8 597	10 264
50	-	-	2 519	3 173	3 936	4 832	5 887	7 131	8 588
60	-	-	-	-	2 922	3 647	4 513	5 551	6 798

Power input in W

10	1 088	1 043	1 019	1 016	1 033	-	-	-	-
20	1 320	1 295	1 283	1 283	1 294	1 317	1 352	-	-
30	1 602	1 601	1 604	1 609	1 617	1 628	1 642	1 658	1 676
40	1 961	1 986	2 006	2 020	2 028	2 030	2 025	2 014	1 996
50	-	-	2 517	2 542	2 552	2 548	2 528	2 492	2 442
60	-	-	-	-	3 217	3 208	3 175	3 119	3 038

Current consumption in A

10	2.24	2.15	2.10	2.09	2.13	-	-	-	-
20	2.72	2.67	2.65	2.65	2.67	2.72	2.79	-	-
30	3.30	3.30	3.31	3.32	3.33	3.36	3.38	3.42	3.46
40	4.04	4.10	4.14	4.17	4.18	4.18	4.18	4.15	4.12
50	-	-	5.19	5.24	5.26	5.25	5.21	5.14	5.03
60	-	-	-	-	6.63	6.61	6.55	6.43	6.26

Mass flow in kg/h

10	69	90	112	137	165	-	-	-	-
20	73	92	114	138	165	196	231	-	-
30	74	92	113	136	163	194	229	267	309
40	73	90	110	133	159	189	224	262	304
50	-	-	105	127	153	183	217	256	298
60	-	-	-	-	145	174	208	247	290

Coefficient of performance (C.O.P.)

10	2.81	3.67	4.66	5.76	6.93	-	-	-	-
20	2.07	2.66	3.34	4.12	4.99	5.94	6.97	-	-
30	1.47	1.87	2.34	2.89	3.52	4.24	5.07	6.01	7.06
40	0.98	1.26	1.58	1.96	2.39	2.91	3.53	4.27	5.14
50	-	-	1.00	1.25	1.54	1.90	2.33	2.86	3.52
60	-	-	-	-	0.91	1.14	1.42	1.78	2.24

Nominal performance at to = -10 °C, tc = 45 °C

Cooling capacity	4 406	W
Power input	2 274	W
Current consumption	4.69	A
Mass flow	156	kg/h
C.O.P.	1.94	

Pressure switch settings

Maximum HP switch setting	29.7	bar(g)
Minimum LP switch setting	1.4	bar(g)
LP pump down setting	2	bar(g)

Sound power data

Sound power level	67	dB(A)
With acoustic hood	59	dB(A)

to: Evaporating temperature at dew point

tc: Condensing temperature at dew point

Rating conditions : Superheat = 10 K , Subcooling = 0 K

All performance data +/- 5%

Performance data at 50 Hz, EN 12900 rating conditions
R407F

Cond. temp. in °C (tc)	Evaporating temperature in °C (to)							
	-23	-20	-15	-10	-5	0	5	10

Cooling capacity in W

10	3 746	4 300	5 360	6 611	-	-	-	-	-
20	3 367	3 892	4 893	6 072	7 449	9 047	-	-	-
30	2 952	3 442	4 375	5 470	6 750	8 236	9 950	11 913	-
40	2 507	2 956	3 809	4 811	5 983	7 347	8 925	10 738	-
45	-	-	3 511	4 462	5 576	6 876	8 381	10 115	-
50	-	-	-	4 100	5 154	6 386	7 817	9 470	-
55	-	-	-	-	4 718	5 880	7 234	8 802	-
60	-	-	-	-	-	-	-	-	-

Power input in W

10	1 153	1 163	1 183	1 214	-	-	-	-	-
20	1 339	1 351	1 368	1 388	1 418	1 465	-	-	-
30	1 613	1 632	1 655	1 673	1 692	1 721	1 766	1 834	-
40	2 001	2 033	2 070	2 094	2 112	2 132	2 159	2 202	-
45	-	-	2 334	2 365	2 386	2 403	2 425	2 458	-
50	-	-	-	2 680	2 705	2 723	2 742	2 768	-
55	-	-	-	-	3 074	3 096	3 113	3 133	-
60	-	-	-	-	-	-	-	-	-

Current consumption in A

10	3.08	3.07	3.05	3.02	-	-	-	-	-
20	3.35	3.35	3.36	3.36	3.36	3.36	-	-	-
30	3.62	3.64	3.67	3.69	3.71	3.73	3.76	3.78	-
40	4.07	4.10	4.14	4.18	4.22	4.25	4.29	4.33	-
45	-	-	4.50	4.54	4.58	4.62	4.66	4.71	-
50	-	-	-	5.00	5.05	5.09	5.13	5.18	-
55	-	-	-	-	5.64	5.68	5.73	5.78	-
60	-	-	-	-	-	-	-	-	-

Mass flow in kg/h

10	65	75	92	112	-	-	-	-	-
20	63	73	90	111	134	161	-	-	-
30	61	70	88	108	132	159	189	224	-
40	57	66	84	104	128	155	186	221	-
45	-	-	82	102	126	153	184	218	-
50	-	-	-	99	123	150	181	216	-
55	-	-	-	-	120	147	178	213	-
60	-	-	-	-	-	-	-	-	-

Coefficient of performance (C.O.P.)

10	3.25	3.70	4.53	5.44	-	-	-	-	-
20	2.51	2.88	3.58	4.37	5.25	6.17	-	-	-
30	1.83	2.11	2.64	3.27	3.99	4.79	5.63	6.50	-
40	1.25	1.45	1.84	2.30	2.83	3.45	4.13	4.88	-
45	-	-	1.50	1.89	2.34	2.86	3.46	4.11	-
50	-	-	-	1.53	1.91	2.34	2.85	3.42	-
55	-	-	-	-	1.53	1.90	2.32	2.81	-
60	-	-	-	-	-	-	-	-	-

Nominal performance at to = -10 °C, tc = 45 °C

Cooling capacity	4 462	W
Power input	2 365	W
Current consumption	4.54	A
Mass flow	102	kg/h
C.O.P.	1.89	

Pressure switch settings

Maximum HP switch setting	29.7	bar(g)
Minimum LP switch setting	1.4	bar(g)
LP pump down setting	2	bar(g)

Sound power data

Sound power level	67	dB(A)
With acoustic hood	59	dB(A)

to: Evaporating temperature at dew point

tc: Condensing temperature at dew point

Rating conditions : Superheat = 10 K , Subcooling = 0 K

All performance data +/- 5%

Danfoss can accept no responsibility for possible errors in catalogues, brochures and other printed material. Danfoss reserves the right to alter its products without notice. This also applies to products already on order provided that such alternations can be made without subsequential changes being necessary in specifications already agreed. All trademarks in this material are property of the respective companies. Danfoss and the Danfoss logotype are trademarks of Danfoss A/S. All rights reserved.

Performance data at 50 Hz, ARI rating conditions

R407F

Cond. temp. in °C (tc)	Evaporating temperature in °C (to)							
	-23	-20	-15	-10	-5	0	5	10

Cooling capacity in W

10	3 959	4 542	5 658	6 974	-	-	-	-	-
20	3 580	4 136	5 196	6 442	7 897	9 583	-	-	-
30	3 163	3 685	4 679	5 845	7 206	8 785	10 604	12 685	-
40	-	3 196	4 113	5 189	6 446	7 907	9 595	11 533	-
45	-	-	3 814	4 841	6 042	7 441	9 061	10 923	-
50	-	-	-	4 481	5 624	6 959	8 508	10 293	-
55	-	-	-	-	-	6 463	7 940	9 647	-
60	-	-	-	-	-	-	-	-	-

Power input in W

10	1 153	1 163	1 183	1 214	-	-	-	-	-
20	1 339	1 351	1 368	1 388	1 418	1 465	-	-	-
30	1 613	1 632	1 655	1 673	1 692	1 721	1 766	1 834	-
40	-	2 033	2 070	2 094	2 112	2 132	2 159	2 202	-
45	-	-	2 334	2 365	2 386	2 403	2 425	2 458	-
50	-	-	-	2 680	2 705	2 723	2 742	2 768	-
55	-	-	-	-	-	3 096	3 113	3 133	-
60	-	-	-	-	-	-	-	-	-

Current consumption in A

10	3.08	3.07	3.05	3.02	-	-	-	-	-
20	3.35	3.35	3.36	3.36	3.36	3.36	-	-	-
30	3.62	3.64	3.67	3.69	3.71	3.73	3.76	3.78	-
40	-	4.10	4.14	4.18	4.22	4.25	4.29	4.33	-
45	-	-	4.50	4.54	4.58	4.62	4.66	4.71	-
50	-	-	-	5.00	5.05	5.09	5.13	5.18	-
55	-	-	-	-	-	5.68	5.73	5.78	-
60	-	-	-	-	-	-	-	-	-

Mass flow in kg/h

10	65	74	91	111	-	-	-	-	-
20	63	72	90	110	133	160	-	-	-
30	60	70	87	108	131	158	188	223	-
40	-	66	84	104	127	154	185	219	-
45	-	-	81	102	125	152	182	217	-
50	-	-	-	99	122	149	180	214	-
55	-	-	-	-	-	146	177	211	-
60	-	-	-	-	-	-	-	-	-

Coefficient of performance (C.O.P.)

10	3.43	3.91	4.78	5.74	-	-	-	-	-
20	2.67	3.06	3.80	4.64	5.57	6.54	-	-	-
30	1.96	2.26	2.83	3.49	4.26	5.10	6.00	6.92	-
40	-	1.57	1.99	2.48	3.05	3.71	4.44	5.24	-
45	-	-	1.63	2.05	2.53	3.10	3.74	4.44	-
50	-	-	-	1.67	2.08	2.56	3.10	3.72	-
55	-	-	-	-	-	2.09	2.55	3.08	-
60	-	-	-	-	-	-	-	-	-

Nominal performance at to = -10 °C, tc = 45 °C

Cooling capacity	4 841	W
Power input	2 365	W
Current consumption	4.54	A
Mass flow	102	kg/h
C.O.P.	2.05	

Pressure switch settings

Maximum HP switch setting	29.7	bar(g)
Minimum LP switch setting	1.4	bar(g)
LP pump down setting	2	bar(g)

Sound power data

Sound power level	67	dB(A)
With acoustic hood	59	dB(A)

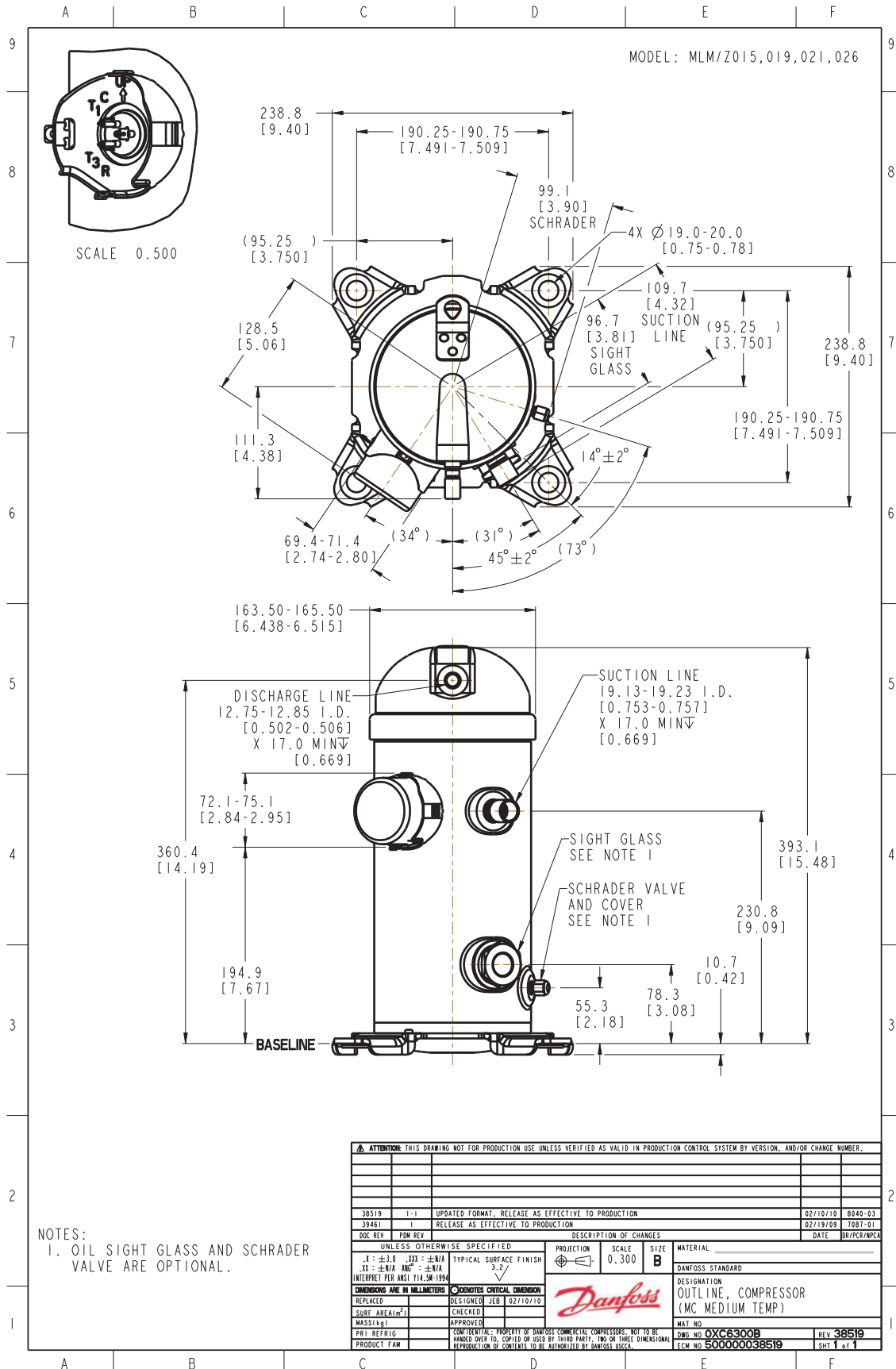
to: Evaporating temperature at dew point

tc: Condensing temperature at dew point

Rating conditions : Superheat = 11.1 K , Subcooling = 8.3 K

All performance data +/- 5%

Danfoss can accept no responsibility for possible errors in catalogues, brochures and other printed material. Danfoss reserves the right to alter its products without notice. This also applies to products already on order provided that such alternations can be made without subsequential changes being necessary in specifications already agreed. All trademarks in this material are property of the respective companies. Danfoss and the Danfoss logotype are trademarks of Danfoss A/S. All rights reserved.



Danfoss can accept no responsibility for possible errors in catalogues, brochures and other printed material. Danfoss reserves the right to alter its products without notice. This also applies to products already on order provided that such alterations can be made without consequential changes being necessary in specifications already agreed. All trademarks in this material are property of the respective companies. Danfoss, the Danfoss logotype and Maneurop are trademarks of Danfoss A/S. All rights reserved.

