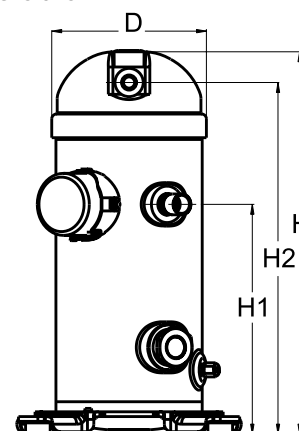


General Characteristics

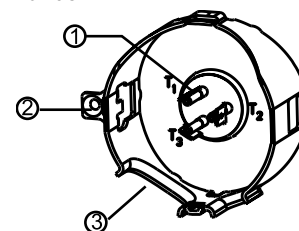
Model number (on compressor nameplate)	MLZ026T4LP9	MLZ026T4LP9
Code number for Singlepack*	121U8008	120U8008
Code number for Industrial pack**	121U8007	120U8007
Drawing number	0XC6300B-1	0XC6300B-1
Suction and discharge connections	Brazed	Brazed
Suction connection	3/4" ODF	3/4" ODF
Discharge connection	1/2" ODF	1/2" ODF
Oil sight glass	Threaded	Threaded
Oil equalisation connection	None	None
Oil drain connection	1/4" flare	1/4" flare
LP gauge port	None	None
IPR valve	32 bar	32 bar
Swept volume	57,11 cm ³ /rev	
Displacement @ Nominal speed	9.9 m ³ /h @ 2900 rpm - 12.0 m ³ /h @ 3500 rpm	
Net weight	31 kg	
Oil charge	1,06 litre, PVE --	
Maximum system test pressure Low Side / High side	- bar(g) / - bar(g)	
Maximum differential test pressure	- bar	
Maximum number of starts per hour	12	
Refrigerant charge limit	3,63 kg	
Approved refrigerants	R404A, R507, R134a, R407A, R407C, R407F, R22	

Dimensions


D=164,5 mm
H=412 mm
H1=250 mm
H2=379 mm
H3= mm

Electrical Characteristics

Nominal voltage	380-400V/3/50Hz - 460V/3/60Hz
Voltage range	340-460 V @ 50Hz - 414-506 V @ 60Hz
Winding resistance between phases 1-2 +/- 7% at 25°C	4.664 Ω
Winding resistance between phases 1-3 +/- 7% at 25°C	3.422 Ω
Winding resistance between phases 2-3 +/- 7% at 25°C	4.664 Ω
Rated Load Amps (RLA)	6.4 A
Maximum Continuous Current (MCC)	10 A
Locked Rotor Amps (LRA)	45 A
Motor protection	Internal overload protector

Terminal box


IP22

- 1: Spade connectors 1/4"
- 2: Earth connection
- 3: Power cable passage

Recommended Installation torques

Suction Rotolock nut or valve	0 Nm
Discharge Rotolock nut or valve	0 Nm
Oil sight glass	52,5 Nm
Power connections / Earth connection	0 Nm / 0 Nm

Parts shipped with compressor

Mounting kit with grommets and sleeves
Initial oil charge
Installation instructions

Approvals : CE certified, UL certified (file SA11565), -

*Singlepack: Compressor in cardboard box. 121U... optimised for Danfoss pallet, 120U... optimised for US pallet

**Industrial pack: 121U...: 12 unboxed compressors on Danfoss pallet. 120U...: 16 unboxed compressors on US pallet

Rotolock accessories, suction side

Code no.

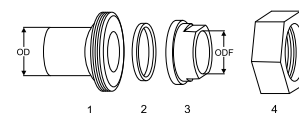
Solder sleeve, P04 (1-1/4" Rotolock, 3/4" ODF)	8153008
Angle adapter, C04 (1-1/4" Rotolock, 3/4" ODF)	8168006
Rotolock valve, V04 (1-1/4" Rotolock, 3/4" ODF)	8168029
Gasket, 1-1/4"	8156131

Rotolock accessories, discharge side

Code no.

Solder sleeve, P06 (1" Rotolock, 1/2" ODF)	8153007
Angle adapter, C06 (1" Rotolock, 1/2" ODF)	8168007
Rotolock valve, V06 (1" Rotolock, 1/2" ODF)	8168031
Gasket, 1"	8156130

Solder sleeve adapter set



- 1: Rotolock adapter (Suc & Dis)
- 2: Gasket (Suc & Dis)
- 3: Solder sleeve (Suc & Dis)
- 4: Rotolock nut (Suc & Dis)

Rotolock accessories, sets

Code no.

Solder sleeve adapter set (1-1/4" Rotolock, 3/4" ODF), (1" Rotolock, 1/2" ODF)	120Z0126
Gasket set, 1", 1-1/4", 1-3/4", OSG gaskets black & white	8156009

Oil / lubricants

Code no.

PVE lubricant, 320HV (FVC68D), 1 litre can	120Z5034
--	----------

Crankcase heaters

Code no.

Belt type crankcase heater, 70 W, 240 V, CE mark, UL	120Z5040
Belt type crankcase heater, 70 W, 400/460V, CE mark, UL	120Z5041

Miscellaneous accessories

Code no.

Acoustic hood	120Z5043
Discharge thermostat kit	7750009

Spare parts

Code no.

Mounting kit for 1 scroll compressor including 4 grommets, 4 sleeves, 4 bolts, 4 washers	120Z5005
--	----------

Performance data at 50 Hz, EN 12900 rating conditions, Superheat = 10 K
R22

Cond. temp. in °C (tc)	Evaporating temperature in °C (to)							
	-20	-15	-10	-5	0	5	10	

Cooling capacity in W

16	5 370	6 356	7 533	8 950	-	-	-	-	-
20	5 108	6 108	7 289	8 700	10 385	-	-	-	-
30	4 485	5 493	6 656	8 023	9 640	11 553	13 801	-	-
40	3 919	4 895	6 000	7 283	8 794	10 578	12 678	-	-
50	-	4 326	5 334	6 495	7 860	9 477	11 391	-	-
60	-	-	-	5 672	6 852	8 263	9 952	-	-
68	-	-	-	-	-	7 220	8 701	-	-

Power input in W

16	1 225	1 210	1 195	1 184	-	-	-	-	-
20	1 388	1 380	1 367	1 356	1 352	-	-	-	-
30	1 759	1 772	1 770	1 761	1 750	1 743	1 747	-	-
40	2 129	2 171	2 189	2 190	2 179	2 163	2 148	-	-
50	-	2 646	2 691	2 709	2 706	2 688	2 661	-	-
60	-	-	-	3 386	3 398	3 386	3 355	-	-
68	-	-	-	-	-	4 114	4 086	-	-

Current consumption in A

16	2.36	2.33	2.30	2.28	-	-	-	-	-
20	2.67	2.66	2.63	2.61	2.60	-	-	-	-
30	3.38	3.41	3.41	3.39	3.37	3.36	3.36	-	-
40	4.10	4.18	4.21	4.21	4.19	4.16	4.13	-	-
50	-	5.09	5.18	5.21	5.21	5.17	5.12	-	-
60	-	-	-	6.52	6.54	6.52	6.46	-	-
68	-	-	-	-	-	7.92	7.86	-	-

Mass flow in kg/h

16	127	142	159	180	-	-	-	-	-
20	118	134	153	175	203	-	-	-	-
30	101	121	143	167	197	232	274	-	-
40	91	113	136	163	194	230	272	-	-
50	-	106	130	158	189	226	268	-	-
60	-	-	-	148	179	216	258	-	-
68	-	-	-	-	-	201	242	-	-

Coefficient of performance (C.O.P.)

16	4.38	5.25	6.31	7.56	-	-	-	-	-
20	3.68	4.43	5.33	6.42	7.68	-	-	-	-
30	2.55	3.10	3.76	4.55	5.51	6.63	7.90	-	-
40	1.84	2.25	2.74	3.33	4.04	4.89	5.90	-	-
50	-	1.63	1.98	2.40	2.90	3.53	4.28	-	-
60	-	-	-	1.68	2.02	2.44	2.97	-	-
68	-	-	-	-	-	1.75	2.13	-	-

Nominal performance at to = -10 °C, tc = 45 °C

Cooling capacity	5 667	W
Power input	2 425	W
Current consumption	4.67	A
Mass flow	133	kg/h
C.O.P.	2.34	

Pressure switch settings

Maximum HP switch setting	29.8	bar(g)
Minimum LP switch setting	0.5	bar(g)
LP pump down setting	0.95	bar(g)

Sound power data

Sound power level	67	dB(A)
With acoustic hood	59	dB(A)

to: Evaporating temperature at dew point

tc: Condensing temperature at dew point

Rating conditions : Superheat = 10 K , Subcooling = 0 K

All performance data +/- 5%

Performance data at 50 Hz, EN 12900 rating conditions, Suction temp. = 20 °C
R22

Cond. temp. in °C (tc)	Evaporating temperature in °C (to)							
	-20	-15	-10	-5	0	5	10	

Cooling capacity in W

16	5 239	6 220	7 396	8 818	-	-	-	-	-
20	4 997	5 991	7 169	8 583	10 284	-	-	-	-
30	4 420	5 421	6 580	7 946	9 571	11 506	13 801	-	-
40	-	4 867	5 967	7 247	8 758	10 552	12 678	-	-
50	-	-	-	6 499	7 858	9 472	11 391	-	-
60	-	-	-	-	6 884	8 279	9 952	-	-
68	-	-	-	-	-	-	8 701	-	-

Power input in W

16	1 225	1 210	1 195	1 184	-	-	-	-	-
20	1 388	1 380	1 367	1 356	1 352	-	-	-	-
30	1 759	1 772	1 770	1 761	1 750	1 743	1 747	-	-
40	-	2 171	2 189	2 190	2 179	2 163	2 148	-	-
50	-	-	-	2 709	2 706	2 688	2 661	-	-
60	-	-	-	-	3 398	3 386	3 355	-	-
68	-	-	-	-	-	-	4 086	-	-

Current consumption in A

16	2.36	2.33	2.30	2.28	-	-	-	-	-
20	2.67	2.66	2.63	2.61	2.60	-	-	-	-
30	3.38	3.41	3.41	3.39	3.37	3.36	3.36	-	-
40	-	4.18	4.21	4.21	4.19	4.16	4.13	-	-
50	-	-	-	5.21	5.21	5.17	5.12	-	-
60	-	-	-	-	6.54	6.52	6.46	-	-
68	-	-	-	-	-	-	7.86	-	-

Mass flow in kg/h

16	112	127	146	168	-	-	-	-	-
20	104	120	140	164	193	-	-	-	-
30	89	109	130	156	188	226	274	-	-
40	-	101	125	152	185	224	272	-	-
50	-	-	-	147	180	220	268	-	-
60	-	-	-	-	171	210	258	-	-
68	-	-	-	-	-	-	242	-	-

Coefficient of performance (C.O.P.)

16	4.28	5.14	6.19	7.45	-	-	-	-	-
20	3.60	4.34	5.24	6.33	7.61	-	-	-	-
30	2.51	3.06	3.72	4.51	5.47	6.60	7.90	-	-
40	-	2.24	2.73	3.31	4.02	4.88	5.90	-	-
50	-	-	-	2.40	2.90	3.52	4.28	-	-
60	-	-	-	-	2.03	2.45	2.97	-	-
68	-	-	-	-	-	-	2.13	-	-

Nominal performance at to = -10 °C, tc = 45 °C

Cooling capacity	5 656	W
Power input	2 425	W
Current consumption	4.67	A
Mass flow	122	kg/h
C.O.P.	2.33	

Pressure switch settings

Maximum HP switch setting	29.8	bar(g)
Minimum LP switch setting	0.5	bar(g)
LP pump down setting	0.95	bar(g)

Sound power data

Sound power level	67	dB(A)
With acoustic hood	59	dB(A)

to: Evaporating temperature at dew point

tc: Condensing temperature at dew point

Rating conditions : Suction gas temp. = 20 °C , Subcooling = 0 K

All performance data +/- 5%

Performance data at 50 Hz, EN 12900 rating conditions, Superheat = 10 K
R134a

Cond. temp. in °C (tc)	Evaporating temperature in °C (to)							
	-15	-10	-5	0	5	10	15	

Cooling capacity in W

22	3 420	4 316	5 377	6 623	8 071	-	-	-	-
30	3 136	3 983	4 988	6 167	7 538	9 120	-	-	-
40	2 776	3 552	4 473	5 558	6 824	8 290	9 971	-	-
50	-	3 107	3 934	4 913	6 062	7 398	8 940	-	-
60	-	-	3 374	4 236	5 255	6 451	7 841	-	-
70	-	-	-	3 531	4 409	5 453	6 679	-	-
73	-	-	-	3 315	4 149	5 144	6 318	-	-

Power input in W

22	987	999	1 012	1 027	1 045	-	-	-	-
30	1 174	1 189	1 203	1 217	1 232	1 250	-	-	-
40	1 443	1 465	1 484	1 501	1 518	1 535	1 553	-	-
50	-	1 791	1 821	1 846	1 868	1 889	1 909	-	-
60	-	-	2 220	2 258	2 291	2 320	2 346	-	-
70	-	-	-	2 746	2 794	2 836	2 873	-	-
73	-	-	-	2 908	2 962	3 009	3 050	-	-

Current consumption in A

22	1.90	1.92	1.95	1.98	2.01	-	-	-	-
30	2.26	2.29	2.31	2.34	2.37	2.41	-	-	-
40	2.78	2.82	2.86	2.89	2.92	2.95	2.99	-	-
50	-	3.45	3.50	3.55	3.60	3.64	3.67	-	-
60	-	-	4.27	4.35	4.41	4.46	4.51	-	-
70	-	-	-	5.28	5.38	5.46	5.53	-	-
73	-	-	-	5.60	5.70	5.79	5.87	-	-

Mass flow in kg/h

22	73	91	111	135	162	-	-	-	-
30	73	91	111	135	161	192	-	-	-
40	71	89	110	133	160	191	225	-	-
50	-	87	108	131	158	188	223	-	-
60	-	-	105	128	155	185	219	-	-
70	-	-	-	124	151	182	215	-	-
73	-	-	-	123	150	180	214	-	-

Coefficient of performance (C.O.P.)

22	3.47	4.32	5.31	6.45	7.72	-	-	-	-
30	2.67	3.35	4.15	5.07	6.12	7.29	-	-	-
40	1.92	2.42	3.01	3.70	4.50	5.40	6.42	-	-
50	-	1.73	2.16	2.66	3.24	3.92	4.68	-	-
60	-	-	1.52	1.88	2.29	2.78	3.34	-	-
70	-	-	-	1.29	1.58	1.92	2.32	-	-
73	-	-	-	1.14	1.40	1.71	2.07	-	-

Nominal performance at to = -10 °C, tc = 45 °C

Cooling capacity	3 331	W
Power input	1 621	W
Current consumption	3.12	A
Mass flow	88	kg/h
C.O.P.	2.05	

Pressure switch settings

Maximum HP switch setting	23.6	bar(g)
Minimum LP switch setting	0.45	bar(g)
LP pump down setting	0.85	bar(g)

Sound power data

Sound power level	67	dB(A)
With acoustic hood	59	dB(A)

to: Evaporating temperature at dew point

tc: Condensing temperature at dew point

Rating conditions : Superheat = 10 K , Subcooling = 0 K

All performance data +/- 5%

Performance data at 50 Hz, EN 12900 rating conditions, Suction temp. = 20 °C

R134a

Cond. temp. in °C (tc)	Evaporating temperature in °C (to)							
	-15	-10	-5	0	5	10	15	

Cooling capacity in W

22	3 474	4 366	5 419	6 652	8 084	-	-	-	-
30	-	4 057	5 052	6 214	7 564	9 120	-	-	-
40	-	-	4 566	5 630	6 865	8 290	9 925	-	-
50	-	-	4 054	5 008	6 118	7 398	8 869	-	-
60	-	-	-	4 354	5 326	6 451	-	-	-
70	-	-	-	-	4 495	5 453	-	-	-
73	-	-	-	-	4 238	5 144	-	-	-

Power input in W

22	987	999	1 012	1 027	1 045	-	-	-	-
30	-	1 189	1 203	1 217	1 232	1 250	-	-	-
40	-	-	1 484	1 501	1 518	1 535	1 553	-	-
50	-	-	1 821	1 846	1 868	1 889	1 909	-	-
60	-	-	-	2 258	2 291	2 320	-	-	-
70	-	-	-	-	2 794	2 836	-	-	-
73	-	-	-	-	2 962	3 009	-	-	-

Current consumption in A

22	1.90	1.92	1.95	1.98	2.01	-	-	-	-
30	-	2.29	2.31	2.34	2.37	2.41	-	-	-
40	-	-	2.86	2.89	2.92	2.95	2.99	-	-
50	-	-	3.50	3.55	3.60	3.64	3.67	-	-
60	-	-	-	4.35	4.41	4.46	-	-	-
70	-	-	-	-	5.38	5.46	-	-	-
73	-	-	-	-	5.70	5.79	-	-	-

Mass flow in kg/h

22	66	84	104	129	158	-	-	-	-
30	-	83	104	129	158	192	-	-	-
40	-	-	103	127	156	191	231	-	-
50	-	-	101	125	154	188	228	-	-
60	-	-	-	123	152	185	-	-	-
70	-	-	-	-	148	182	-	-	-
73	-	-	-	-	147	180	-	-	-

Coefficient of performance (C.O.P.)

22	3.52	4.37	5.36	6.48	7.74	-	-	-	-
30	-	3.41	4.20	5.11	6.14	7.29	-	-	-
40	-	-	3.08	3.75	4.52	5.40	6.39	-	-
50	-	-	2.23	2.71	3.27	3.92	4.65	-	-
60	-	-	-	1.93	2.32	2.78	-	-	-
70	-	-	-	-	1.61	1.92	-	-	-
73	-	-	-	-	1.43	1.71	-	-	-

Nominal performance at to = -10 °C, tc = 45 °C

Cooling capacity	-	W
Power input	-	W
Current consumption	-	A
Mass flow	-	kg/h
C.O.P.	-	

Pressure switch settings

Maximum HP switch setting	23.6	bar(g)
Minimum LP switch setting	0.45	bar(g)
LP pump down setting	0.85	bar(g)

Sound power data

Sound power level	67	dB(A)
With acoustic hood	59	dB(A)

to: Evaporating temperature at dew point

tc: Condensing temperature at dew point

Rating conditions : Suction gas temp. = 20 °C , Subcooling = 0 K

All performance data +/- 5%

Performance data at 50 Hz, EN 12900 rating conditions, Suction temp. = 20 °C
R404A

Cond. temp. in °C (tc)	Evaporating temperature in °C (to)								
	-30	-25	-20	-15	-10	-5	0	5	10

Cooling capacity in W

10	4 034	4 984	6 144	7 538	9 185	-	-	-	-
20	3 575	4 443	5 493	6 744	8 218	9 939	11 926	-	-
30	3 142	3 925	4 858	5 962	7 260	8 772	10 520	12 527	14 813
40	-	3 411	4 223	5 176	6 291	7 591	9 095	10 828	12 810
50	-	-	3 570	4 367	5 295	6 377	7 634	9 087	10 759
60	-	-	-	-	4 254	5 113	6 117	7 287	8 645

Power input in W

10	1 231	1 249	1 265	1 279	1 292	-	-	-	-
20	1 559	1 580	1 598	1 614	1 627	1 639	1 650	-	-
30	1 981	2 002	2 020	2 034	2 046	2 055	2 062	2 067	2 071
40	-	2 548	2 563	2 573	2 580	2 584	2 585	2 583	2 579
50	-	-	3 262	3 266	3 265	3 261	3 253	3 242	3 228
60	-	-	-	-	4 135	4 120	4 100	4 077	4 050

Current consumption in A

10	3.84	3.73	3.62	3.52	3.43	-	-	-	-
20	3.87	3.82	3.79	3.75	3.73	3.71	3.70	-	-
30	4.13	4.13	4.13	4.14	4.15	4.17	4.19	4.23	4.28
40	-	4.75	4.75	4.77	4.78	4.80	4.83	4.87	4.93
50	-	-	5.74	5.73	5.72	5.71	5.72	5.73	5.75
60	-	-	-	-	7.05	6.99	6.93	6.88	6.84

Mass flow in kg/h

10	81	101	125	154	189	-	-	-	-
20	78	98	122	151	184	225	273	-	-
30	76	96	119	147	180	220	267	323	389
40	-	93	116	143	176	215	261	316	381
50	-	-	113	140	171	210	255	309	373
60	-	-	-	-	167	205	250	303	365

Coefficient of performance (C.O.P.)

10	3.28	3.99	4.86	5.89	7.11	-	-	-	-
20	2.29	2.81	3.44	4.18	5.05	6.06	7.23	-	-
30	1.59	1.96	2.41	2.93	3.55	4.27	5.10	6.06	7.15
40	-	1.34	1.65	2.01	2.44	2.94	3.52	4.19	4.97
50	-	-	1.09	1.34	1.62	1.96	2.35	2.80	3.33
60	-	-	-	-	1.03	1.24	1.49	1.79	2.13

Nominal performance at to = -10 °C, tc = 45 °C

Cooling capacity	5 798	W
Power input	2 902	W
Current consumption	5.21	A
Mass flow	173	kg/h
C.O.P.	2.00	


Pressure switch settings

Maximum HP switch setting	29.7	bar(g)
Minimum LP switch setting	1.4	bar(g)
LP pump down setting	2	bar(g)

Sound power data

Sound power level	67	dB(A)
With acoustic hood	59	dB(A)

to: Evaporating temperature at dew point

tc: Condensing temperature at dew point

Rating conditions : Suction gas temp. = 20 °C , Subcooling = 0 K

All performance data +/- 5%

Performance data at 50 Hz, EN 12900 rating conditions, Superheat = 10 K
R404A

Cond. temp. in °C (tc)	Evaporating temperature in °C (to)								
	-30	-25	-20	-15	-10	-5	0	5	10

Cooling capacity in W

10	3 876	4 823	5 987	7 392	9 062	-	-	-	-
20	3 361	4 220	5 266	6 525	8 020	9 776	11 813	-	-
30	2 873	3 638	4 562	5 670	6 987	8 537	10 346	12 433	14 813
40	2 394	3 060	3 857	4 809	5 943	7 284	8 860	10 694	12 810
50	-	-	3 132	3 924	4 870	5 997	7 335	8 913	10 759
60	-	-	-	-	3 743	4 652	5 748	7 066	8 645

Power input in W

10	1 231	1 249	1 265	1 279	1 292	-	-	-	-
20	1 559	1 580	1 598	1 614	1 627	1 639	1 650	-	-
30	1 981	2 002	2 020	2 034	2 046	2 055	2 062	2 067	2 071
40	2 530	2 548	2 563	2 573	2 580	2 584	2 585	2 583	2 579
50	-	-	3 262	3 266	3 265	3 261	3 253	3 242	3 228
60	-	-	-	-	4 135	4 120	4 100	4 077	4 050

Current consumption in A

10	3.84	3.73	3.62	3.52	3.43	-	-	-	-
20	3.87	3.82	3.79	3.75	3.73	3.71	3.70	-	-
30	4.13	4.13	4.13	4.14	4.15	4.17	4.19	4.23	4.28
40	4.74	4.75	4.75	4.77	4.78	4.80	4.83	4.87	4.93
50	-	-	5.74	5.73	5.72	5.71	5.72	5.73	5.75
60	-	-	-	-	7.05	6.99	6.93	6.88	6.84

Mass flow in kg/h

10	96	118	144	174	209	-	-	-	-
20	93	115	140	170	204	243	289	-	-
30	91	112	137	165	199	238	282	333	389
40	88	109	133	161	194	232	276	326	381
50	-	-	130	157	189	227	270	319	373
60	-	-	-	-	185	221	264	312	365

Coefficient of performance (C.O.P.)

10	3.15	3.86	4.73	5.78	7.02	-	-	-	-
20	2.16	2.67	3.29	4.04	4.93	5.96	7.16	-	-
30	1.45	1.82	2.26	2.79	3.42	4.15	5.02	6.01	7.15
40	0.95	1.20	1.51	1.87	2.30	2.82	3.43	4.14	4.97
50	-	-	0.96	1.20	1.49	1.84	2.25	2.75	3.33
60	-	-	-	-	0.91	1.13	1.40	1.73	2.13

Nominal performance at to = -10 °C, tc = 45 °C

Cooling capacity	5 411	W
Power input	2 902	W
Current consumption	5.21	A
Mass flow	192	kg/h
C.O.P.	1.86	

Pressure switch settings

Maximum HP switch setting	29.7	bar(g)
Minimum LP switch setting	1.4	bar(g)
LP pump down setting	2	bar(g)

Sound power data

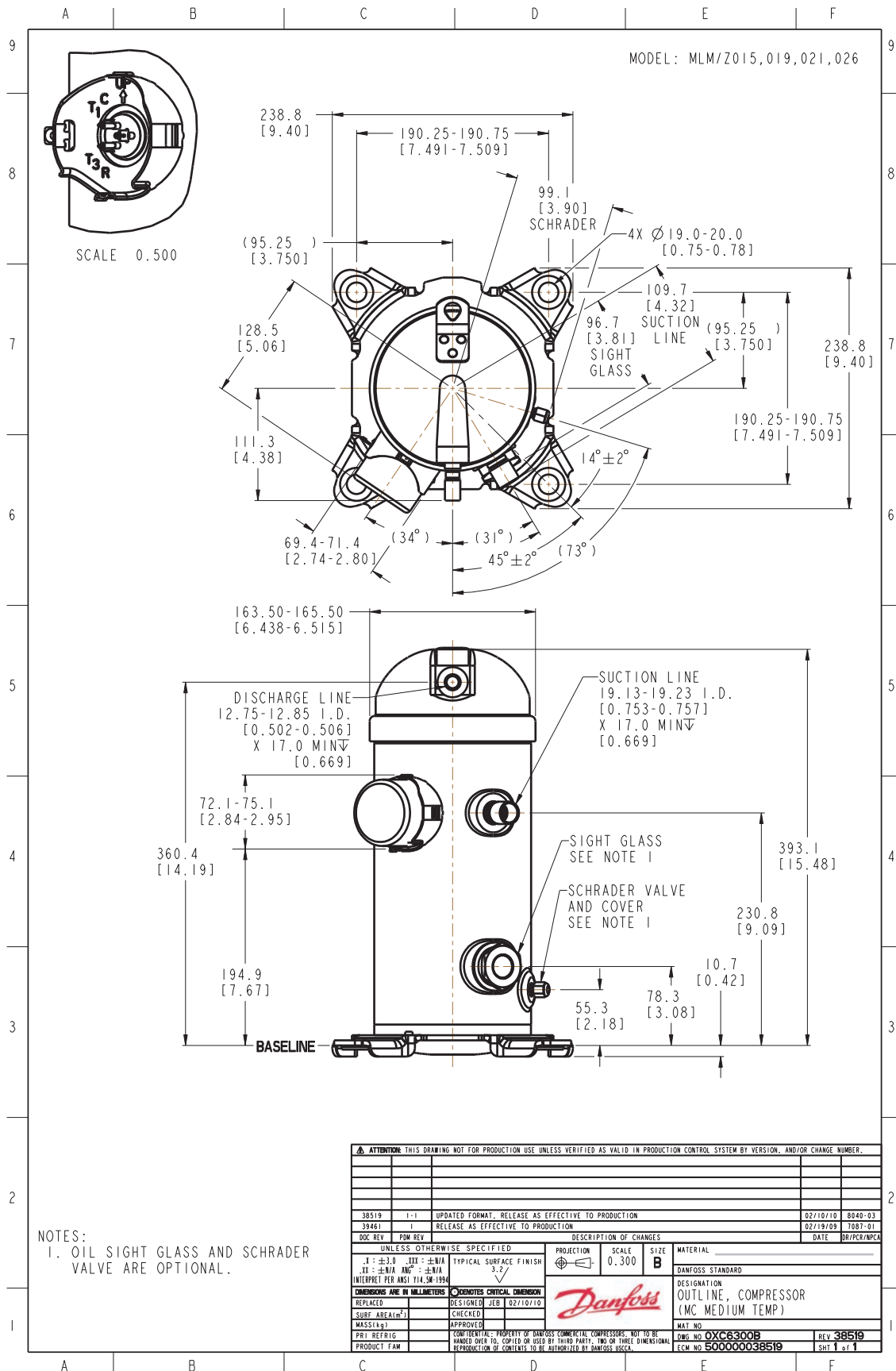
Sound power level	67	dB(A)
With acoustic hood	59	dB(A)

to: Evaporating temperature at dew point

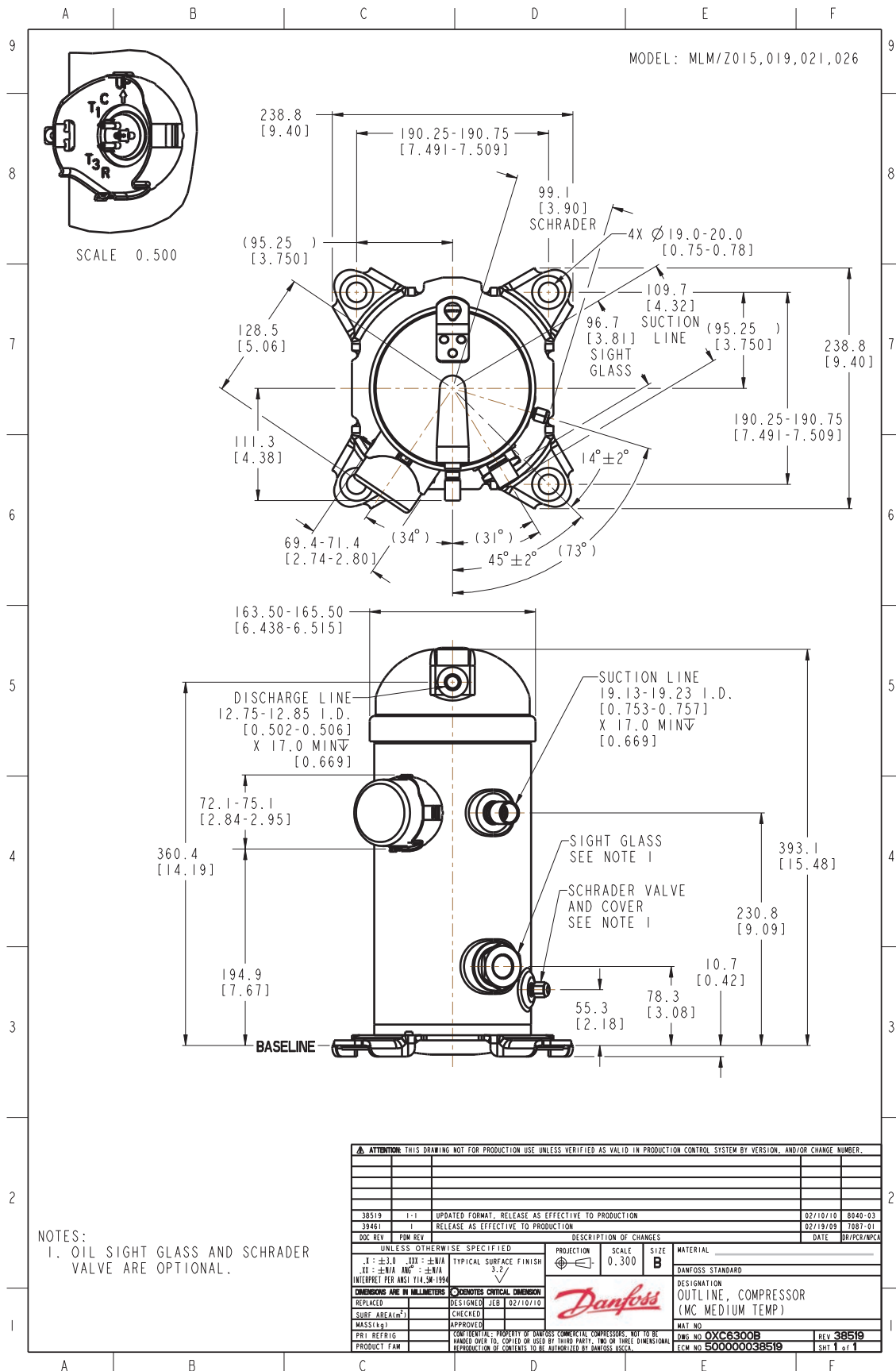
tc: Condensing temperature at dew point

Rating conditions : Superheat = 10 K , Subcooling = 0 K

All performance data +/- 5%



NOTES:
1. OIL SIGHT GLASS AND SCHRADER VALVE ARE OPTIONAL.



NOTES:
1. OIL SIGHT GLASS AND SCHRADER VALVE ARE OPTIONAL.