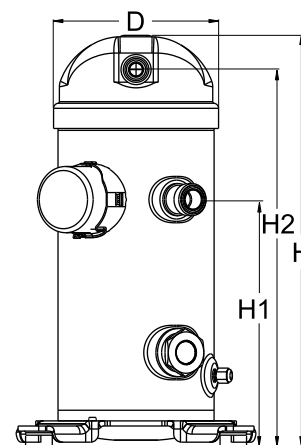


**General Characteristics**

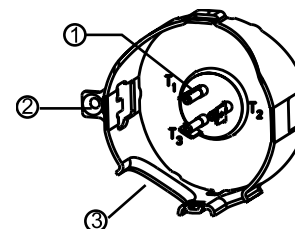
Model number (on compressor nameplate)		<b>MLZ026T4LT9</b>
Code number for Singlepack*		121U8535
Code number for Industrial pack**		121U8534
Drawing number		0XC6290B-1
Suction and discharge connections		Rotolock
Suction connection		1-1/4 " Rotolock
Discharge connection		1 " Rotolock
Suction connection with supplied sleeve		3/4 " -
Discharge connection with supplied sleeve	- "	1/2 " -
Oil sight glass		Threaded
Oil equalisation connection		None
Oil drain connection		None
LP gauge port		None
IPR valve		None
Swept volume		57,11 cm <sup>3</sup> /rev
Displacement @ Nominal speed		9.9 m <sup>3</sup> /h @ 2900 rpm - 12.0 m <sup>3</sup> /h @ 3500 rpm
Net weight		31 kg
Oil charge		1,06 litre, PVE - -
Maximum system test pressure Low Side / High side		- bar(g) / - bar(g)
Maximum differential test pressure		- bar
Maximum number of starts per hour		12
Refrigerant charge limit		3,63 kg
Approved refrigerants		R404A, R507, R134a, R407A, R407C, R407F, R22

**Dimensions**


D=184 mm  
H=412,1 mm  
H1=249,8 mm  
H2=379,4 mm  
H3=- mm

**Electrical Characteristics**

Nominal voltage	380-400V/3/50Hz - 460V/3/60Hz
Voltage range	340-460 V @ 50Hz - 414-506 V @ 60Hz
Winding resistance between phases 1-2 +/- 7% at 25°C	4.664 Ω
Winding resistance between phases 1-3 +/- 7% at 25°C	3.422 Ω
Winding resistance between phases 2-3 +/- 7% at 25°C	4.664 Ω
Rated Load Amps (RLA)	6.4 A
Maximum Continuous Current (MCC)	10 A
Locked Rotor Amps (LRA)	45 A
Motor protection	Internal overload protector

**Terminal box**

**IP22**

- 1: Spade connectors 1/4"
- 2: Earth connection
- 3: Power cable passage

**Recommended Installation torques**

Oil sight glass	52,5 Nm
Power connections / Earth connection	0 Nm / 0 Nm

**Parts shipped with compressor**

Mounting kit with grommets and sleeves
Initial oil charge
Installation instructions

**Approvals** : CE certified, UL certified (file SA11565), -

\*Singlepack: Compressor in cardboard box. 121U... optimised for Danfoss pallet, 120U... optimised for US pallet

\*\*Industrial pack: 121U...: 12 unboxed compressors on Danfoss pallet. 120U...: 16 unboxed compressors on US pallet

**Rotolock accessories, suction side**

**Code no.**

Angle adapter, C04 (1-1/4" Rotolock, 3/4" ODF)	8168006
Rotolock valve, V04 (1-1/4" Rotolock, 3/4" ODF)	8168029
Gasket, 1-1/4"	8156131

**Rotolock accessories, discharge side**

**Code no.**

Angle adapter, C01 (1" Rotolock, 3/8" ODF)	8168004
Rotolock valve, V06 (1" Rotolock, 1/2" ODF)	8168031
Gasket, 1"	8156130

**Rotolock accessories, sets**

**Code no.**

Teflon seals, sleeves, nuts for discharge and suction (1" and 1 1/4")	120Z5074
Gasket set, 1", 1-1/4", 1-3/4", OSG gaskets black & white	8156009

**Oil / lubricants**

**Code no.**

PVE lubricant, 320HV (FVC68D), 1 litre can	120Z5034
--	----------

**Crankcase heaters**

**Code no.**

Belt type crankcase heater, 70 W, 240 V, CE mark, UL	120Z5040
Belt type crankcase heater, 70 W, 400/460V, CE mark, UL	120Z5041

**Miscellaneous accessories**

**Code no.**

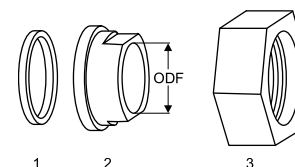
Acoustic hood	120Z5043
Discharge thermostat kit	7750009

**Spare parts**

**Code no.**

Mounting kit for 1 scroll compressor including 4 grommets, 4 sleeves, 4 bolts, 4 washers	120Z5005
--	----------

**Gaskets, sleeves and nuts**



- 1: Gasket
- 2: Solder sleeve
- 3: Rotolock nut

**Performance data at 50 Hz, EN 12900 rating conditions, Superheat = 10 K**
**R22**

Cond. temp. in °C (tc)	Evaporating temperature in °C (to)							
	-20	-15	-10	-5	0	5	10	

**Cooling capacity in W**

16	5 370	6 356	7 533	8 950	-	-	-	-	-
20	5 108	6 108	7 289	8 700	10 385	-	-	-	-
30	4 485	5 493	6 656	8 023	9 640	11 553	13 801	-	-
40	3 919	4 895	6 000	7 283	8 794	10 578	12 678	-	-
50	-	4 326	5 334	6 495	7 860	9 477	11 391	-	-
60	-	-	-	5 672	6 852	8 263	9 952	-	-
68	-	-	-	-	-	7 220	8 701	-	-

**Power input in W**

16	1 225	1 210	1 195	1 184	-	-	-	-	-
20	1 388	1 380	1 367	1 356	1 352	-	-	-	-
30	1 759	1 772	1 770	1 761	1 750	1 743	1 747	-	-
40	2 129	2 171	2 189	2 190	2 179	2 163	2 148	-	-
50	-	2 646	2 691	2 709	2 706	2 688	2 661	-	-
60	-	-	-	3 386	3 398	3 386	3 355	-	-
68	-	-	-	-	-	4 114	4 086	-	-

**Current consumption in A**

16	2.36	2.33	2.30	2.28	-	-	-	-	-
20	2.67	2.66	2.63	2.61	2.60	-	-	-	-
30	3.38	3.41	3.41	3.39	3.37	3.36	3.36	-	-
40	4.10	4.18	4.21	4.21	4.19	4.16	4.13	-	-
50	-	5.09	5.18	5.21	5.21	5.17	5.12	-	-
60	-	-	-	6.52	6.54	6.52	6.46	-	-
68	-	-	-	-	-	7.92	7.86	-	-

**Mass flow in kg/h**

16	127	142	159	180	-	-	-	-	-
20	118	134	153	175	203	-	-	-	-
30	101	121	143	167	197	232	274	-	-
40	91	113	136	163	194	230	272	-	-
50	-	106	130	158	189	226	268	-	-
60	-	-	-	148	179	216	258	-	-
68	-	-	-	-	-	201	242	-	-

**Coefficient of performance (C.O.P.)**

16	4.38	5.25	6.31	7.56	-	-	-	-	-
20	3.68	4.43	5.33	6.42	7.68	-	-	-	-
30	2.55	3.10	3.76	4.55	5.51	6.63	7.90	-	-
40	1.84	2.25	2.74	3.33	4.04	4.89	5.90	-	-
50	-	1.63	1.98	2.40	2.90	3.53	4.28	-	-
60	-	-	-	1.68	2.02	2.44	2.97	-	-
68	-	-	-	-	-	1.75	2.13	-	-

**Nominal performance at to = -10 °C, tc = 45 °C**

Cooling capacity	5 667	W
Power input	2 425	W
Current consumption	4.67	A
Mass flow	133	kg/h
C.O.P.	2.34	

**Pressure switch settings**

Maximum HP switch setting	29.8	bar(g)
Minimum LP switch setting	0.5	bar(g)
LP pump down setting	0.95	bar(g)

**Sound power data**

Sound power level	67	dB(A)
With acoustic hood	59	dB(A)

to: Evaporating temperature at dew point

tc: Condensing temperature at dew point

Rating conditions : Superheat = 10 K , Subcooling = 0 K

All performance data +/- 5%

**Performance data at 50 Hz, EN 12900 rating conditions, Suction temp. = 20 °C**
**R22**

Cond. temp. in °C (tc)	Evaporating temperature in °C (to)							
	-20	-15	-10	-5	0	5	10	

**Cooling capacity in W**

16	5 239	6 220	7 396	8 818	-	-	-	-	-
20	4 997	5 991	7 169	8 583	10 284	-	-	-	-
30	4 420	5 421	6 580	7 946	9 571	11 506	13 801	-	-
40	-	4 867	5 967	7 247	8 758	10 552	12 678	-	-
50	-	-	-	6 499	7 858	9 472	11 391	-	-
60	-	-	-	-	6 884	8 279	9 952	-	-
68	-	-	-	-	-	-	8 701	-	-

**Power input in W**

16	1 225	1 210	1 195	1 184	-	-	-	-	-
20	1 388	1 380	1 367	1 356	1 352	-	-	-	-
30	1 759	1 772	1 770	1 761	1 750	1 743	1 747	-	-
40	-	2 171	2 189	2 190	2 179	2 163	2 148	-	-
50	-	-	-	2 709	2 706	2 688	2 661	-	-
60	-	-	-	-	3 398	3 386	3 355	-	-
68	-	-	-	-	-	-	4 086	-	-

**Current consumption in A**

16	2.36	2.33	2.30	2.28	-	-	-	-	-
20	2.67	2.66	2.63	2.61	2.60	-	-	-	-
30	3.38	3.41	3.41	3.39	3.37	3.36	3.36	-	-
40	-	4.18	4.21	4.21	4.19	4.16	4.13	-	-
50	-	-	-	5.21	5.21	5.17	5.12	-	-
60	-	-	-	-	6.54	6.52	6.46	-	-
68	-	-	-	-	-	-	7.86	-	-

**Mass flow in kg/h**

16	112	127	146	168	-	-	-	-	-
20	104	120	140	164	193	-	-	-	-
30	89	109	130	156	188	226	274	-	-
40	-	101	125	152	185	224	272	-	-
50	-	-	-	147	180	220	268	-	-
60	-	-	-	-	171	210	258	-	-
68	-	-	-	-	-	-	242	-	-

**Coefficient of performance (C.O.P.)**

16	4.28	5.14	6.19	7.45	-	-	-	-	-
20	3.60	4.34	5.24	6.33	7.61	-	-	-	-
30	2.51	3.06	3.72	4.51	5.47	6.60	7.90	-	-
40	-	2.24	2.73	3.31	4.02	4.88	5.90	-	-
50	-	-	-	2.40	2.90	3.52	4.28	-	-
60	-	-	-	-	2.03	2.45	2.97	-	-
68	-	-	-	-	-	-	2.13	-	-

**Nominal performance at to = -10 °C, tc = 45 °C**

Cooling capacity	5 656	W
Power input	2 425	W
Current consumption	4.67	A
Mass flow	122	kg/h
C.O.P.	2.33	

**Pressure switch settings**

Maximum HP switch setting	29.8	bar(g)
Minimum LP switch setting	0.5	bar(g)
LP pump down setting	0.95	bar(g)

**Sound power data**

Sound power level	67	dB(A)
With acoustic hood	59	dB(A)

to: Evaporating temperature at dew point

tc: Condensing temperature at dew point

Rating conditions : Suction gas temp. = 20 °C , Subcooling = 0 K

All performance data +/- 5%

**Performance data at 50 Hz, EN 12900 rating conditions, Superheat = 10 K**
**R134a**

Cond. temp. in °C (tc)	Evaporating temperature in °C (to)							
	-15	-10	-5	0	5	10	15	

**Cooling capacity in W**

22	3 420	4 316	5 377	6 623	8 071	-	-	-	-
30	3 136	3 983	4 988	6 167	7 538	9 120	-	-	-
40	2 776	3 552	4 473	5 558	6 824	8 290	9 971	-	-
50	-	3 107	3 934	4 913	6 062	7 398	8 940	-	-
60	-	-	3 374	4 236	5 255	6 451	7 841	-	-
70	-	-	-	3 531	4 409	5 453	6 679	-	-
73	-	-	-	3 315	4 149	5 144	6 318	-	-

**Power input in W**

22	987	999	1 012	1 027	1 045	-	-	-	-
30	1 174	1 189	1 203	1 217	1 232	1 250	-	-	-
40	1 443	1 465	1 484	1 501	1 518	1 535	1 553	-	-
50	-	1 791	1 821	1 846	1 868	1 889	1 909	-	-
60	-	-	2 220	2 258	2 291	2 320	2 346	-	-
70	-	-	-	2 746	2 794	2 836	2 873	-	-
73	-	-	-	2 908	2 962	3 009	3 050	-	-

**Current consumption in A**

22	1.90	1.92	1.95	1.98	2.01	-	-	-	-
30	2.26	2.29	2.31	2.34	2.37	2.41	-	-	-
40	2.78	2.82	2.86	2.89	2.92	2.95	2.99	-	-
50	-	3.45	3.50	3.55	3.60	3.64	3.67	-	-
60	-	-	4.27	4.35	4.41	4.46	4.51	-	-
70	-	-	-	5.28	5.38	5.46	5.53	-	-
73	-	-	-	5.60	5.70	5.79	5.87	-	-

**Mass flow in kg/h**

22	73	91	111	135	162	-	-	-	-
30	73	91	111	135	161	192	-	-	-
40	71	89	110	133	160	191	225	-	-
50	-	87	108	131	158	188	223	-	-
60	-	-	105	128	155	185	219	-	-
70	-	-	-	124	151	182	215	-	-
73	-	-	-	123	150	180	214	-	-

**Coefficient of performance (C.O.P.)**

22	3.47	4.32	5.31	6.45	7.72	-	-	-	-
30	2.67	3.35	4.15	5.07	6.12	7.29	-	-	-
40	1.92	2.42	3.01	3.70	4.50	5.40	6.42	-	-
50	-	1.73	2.16	2.66	3.24	3.92	4.68	-	-
60	-	-	1.52	1.88	2.29	2.78	3.34	-	-
70	-	-	-	1.29	1.58	1.92	2.32	-	-
73	-	-	-	1.14	1.40	1.71	2.07	-	-

**Nominal performance at to = -10 °C, tc = 45 °C**

Cooling capacity	3 331	W
Power input	1 621	W
Current consumption	3.12	A
Mass flow	88	kg/h
C.O.P.	2.05	

**Pressure switch settings**

Maximum HP switch setting	23.6	bar(g)
Minimum LP switch setting	0.45	bar(g)
LP pump down setting	0.85	bar(g)

**Sound power data**

Sound power level	67	dB(A)
With acoustic hood	59	dB(A)

to: Evaporating temperature at dew point

tc: Condensing temperature at dew point

Rating conditions : Superheat = 10 K , Subcooling = 0 K

All performance data +/- 5%

**Performance data at 50 Hz, EN 12900 rating conditions, Suction temp. = 20 °C**
**R134a**

Cond. temp. in °C (tc)	Evaporating temperature in °C (to)							
	-15	-10	-5	0	5	10	15	

**Cooling capacity in W**

22	3 474	4 366	5 419	6 652	8 084	-	-	-	-
30	-	4 057	5 052	6 214	7 564	9 120	-	-	-
40	-	-	4 566	5 630	6 865	8 290	9 925	-	-
50	-	-	4 054	5 008	6 118	7 398	8 869	-	-
60	-	-	-	4 354	5 326	6 451	-	-	-
70	-	-	-	-	4 495	5 453	-	-	-
73	-	-	-	-	4 238	5 144	-	-	-

**Power input in W**

22	987	999	1 012	1 027	1 045	-	-	-	-
30	-	1 189	1 203	1 217	1 232	1 250	-	-	-
40	-	-	1 484	1 501	1 518	1 535	1 553	-	-
50	-	-	1 821	1 846	1 868	1 889	1 909	-	-
60	-	-	-	2 258	2 291	2 320	-	-	-
70	-	-	-	-	2 794	2 836	-	-	-
73	-	-	-	-	2 962	3 009	-	-	-

**Current consumption in A**

22	1.90	1.92	1.95	1.98	2.01	-	-	-	-
30	-	2.29	2.31	2.34	2.37	2.41	-	-	-
40	-	-	2.86	2.89	2.92	2.95	2.99	-	-
50	-	-	3.50	3.55	3.60	3.64	3.67	-	-
60	-	-	-	4.35	4.41	4.46	-	-	-
70	-	-	-	-	5.38	5.46	-	-	-
73	-	-	-	-	5.70	5.79	-	-	-

**Mass flow in kg/h**

22	66	84	104	129	158	-	-	-	-
30	-	83	104	129	158	192	-	-	-
40	-	-	103	127	156	191	231	-	-
50	-	-	101	125	154	188	228	-	-
60	-	-	-	123	152	185	-	-	-
70	-	-	-	-	148	182	-	-	-
73	-	-	-	-	147	180	-	-	-

**Coefficient of performance (C.O.P.)**

22	3.52	4.37	5.36	6.48	7.74	-	-	-	-
30	-	3.41	4.20	5.11	6.14	7.29	-	-	-
40	-	-	3.08	3.75	4.52	5.40	6.39	-	-
50	-	-	2.23	2.71	3.27	3.92	4.65	-	-
60	-	-	-	1.93	2.32	2.78	-	-	-
70	-	-	-	-	1.61	1.92	-	-	-
73	-	-	-	-	1.43	1.71	-	-	-

**Nominal performance at to = -10 °C, tc = 45 °C**

Cooling capacity	-	W
Power input	-	W
Current consumption	-	A
Mass flow	-	kg/h
C.O.P.	-	

to: Evaporating temperature at dew point

tc: Condensing temperature at dew point

Rating conditions : Suction gas temp. = 20 °C , Subcooling = 0 K

**Pressure switch settings**

Maximum HP switch setting	23.6	bar(g)
Minimum LP switch setting	0.45	bar(g)
LP pump down setting	0.85	bar(g)

**Sound power data**

Sound power level	67	dB(A)
With acoustic hood	59	dB(A)

All performance data +/- 5%

Performance data at 50 Hz, EN 12900 rating conditions, Suction temp. = 20 °C

**R404A**

Cond. temp. in °C (tc)	Evaporating temperature in °C (to)								
	-30	-25	-20	-15	-10	-5	0	5	10

**Cooling capacity in W**

10	4 034	4 984	6 144	7 538	9 185	-	-	-	-
20	3 575	4 443	5 493	6 744	8 218	9 939	11 926	-	-
30	3 142	3 925	4 858	5 962	7 260	8 772	10 520	12 527	14 813
40	-	3 411	4 223	5 176	6 291	7 591	9 095	10 828	12 810
50	-	-	3 570	4 367	5 295	6 377	7 634	9 087	10 759
60	-	-	-	-	4 254	5 113	6 117	7 287	8 645

**Power input in W**

10	1 231	1 249	1 265	1 279	1 292	-	-	-	-
20	1 559	1 580	1 598	1 614	1 627	1 639	1 650	-	-
30	1 981	2 002	2 020	2 034	2 046	2 055	2 062	2 067	2 071
40	-	2 548	2 563	2 573	2 580	2 584	2 585	2 583	2 579
50	-	-	3 262	3 266	3 265	3 261	3 253	3 242	3 228
60	-	-	-	-	4 135	4 120	4 100	4 077	4 050

**Current consumption in A**

10	3.84	3.73	3.62	3.52	3.43	-	-	-	-
20	3.87	3.82	3.79	3.75	3.73	3.71	3.70	-	-
30	4.13	4.13	4.13	4.14	4.15	4.17	4.19	4.23	4.28
40	-	4.75	4.75	4.77	4.78	4.80	4.83	4.87	4.93
50	-	-	5.74	5.73	5.72	5.71	5.72	5.73	5.75
60	-	-	-	-	7.05	6.99	6.93	6.88	6.84

**Mass flow in kg/h**

10	81	101	125	154	189	-	-	-	-
20	78	98	122	151	184	225	273	-	-
30	76	96	119	147	180	220	267	323	389
40	-	93	116	143	176	215	261	316	381
50	-	-	113	140	171	210	255	309	373
60	-	-	-	-	167	205	250	303	365

**Coefficient of performance (C.O.P.)**

10	3.28	3.99	4.86	5.89	7.11	-	-	-	-
20	2.29	2.81	3.44	4.18	5.05	6.06	7.23	-	-
30	1.59	1.96	2.41	2.93	3.55	4.27	5.10	6.06	7.15
40	-	1.34	1.65	2.01	2.44	2.94	3.52	4.19	4.97
50	-	-	1.09	1.34	1.62	1.96	2.35	2.80	3.33
60	-	-	-	-	1.03	1.24	1.49	1.79	2.13

**Nominal performance at to = -10 °C, tc = 45 °C**

Cooling capacity	5 798	W
Power input	2 902	W
Current consumption	5.21	A
Mass flow	173	kg/h
C.O.P.	2.00	



**Pressure switch settings**

Maximum HP switch setting	29.7	bar(g)
Minimum LP switch setting	1.4	bar(g)
LP pump down setting	2	bar(g)

**Sound power data**

Sound power level	67	dB(A)
With accoustic hood	59	dB(A)

to: Evaporating temperature at dew point

tc: Condensing temperature at dew point

Rating conditions : Suction gas temp. = 20 °C , Subcooling = 0 K

All performance data +/- 5%

**Performance data at 50 Hz, EN 12900 rating conditions, Superheat = 10 K**
**R404A**

Cond. temp. in °C (tc)	Evaporating temperature in °C (to)								
	-30	-25	-20	-15	-10	-5	0	5	10

**Cooling capacity in W**

10	3 876	4 823	5 987	7 392	9 062	-	-	-	-
20	3 361	4 220	5 266	6 525	8 020	9 776	11 813	-	-
30	2 873	3 638	4 562	5 670	6 987	8 537	10 346	12 433	14 813
40	2 394	3 060	3 857	4 809	5 943	7 284	8 860	10 694	12 810
50	-	-	3 132	3 924	4 870	5 997	7 335	8 913	10 759
60	-	-	-	-	3 743	4 652	5 748	7 066	8 645

**Power input in W**

10	1 231	1 249	1 265	1 279	1 292	-	-	-	-
20	1 559	1 580	1 598	1 614	1 627	1 639	1 650	-	-
30	1 981	2 002	2 020	2 034	2 046	2 055	2 062	2 067	2 071
40	2 530	2 548	2 563	2 573	2 580	2 584	2 585	2 583	2 579
50	-	-	3 262	3 266	3 265	3 261	3 253	3 242	3 228
60	-	-	-	-	4 135	4 120	4 100	4 077	4 050

**Current consumption in A**

10	3.84	3.73	3.62	3.52	3.43	-	-	-	-
20	3.87	3.82	3.79	3.75	3.73	3.71	3.70	-	-
30	4.13	4.13	4.13	4.14	4.15	4.17	4.19	4.23	4.28
40	4.74	4.75	4.75	4.77	4.78	4.80	4.83	4.87	4.93
50	-	-	5.74	5.73	5.72	5.71	5.72	5.73	5.75
60	-	-	-	-	7.05	6.99	6.93	6.88	6.84

**Mass flow in kg/h**

10	96	118	144	174	209	-	-	-	-
20	93	115	140	170	204	243	289	-	-
30	91	112	137	165	199	238	282	333	389
40	88	109	133	161	194	232	276	326	381
50	-	-	130	157	189	227	270	319	373
60	-	-	-	-	185	221	264	312	365

**Coefficient of performance (C.O.P.)**

10	3.15	3.86	4.73	5.78	7.02	-	-	-	-
20	2.16	2.67	3.29	4.04	4.93	5.96	7.16	-	-
30	1.45	1.82	2.26	2.79	3.42	4.15	5.02	6.01	7.15
40	0.95	1.20	1.51	1.87	2.30	2.82	3.43	4.14	4.97
50	-	-	0.96	1.20	1.49	1.84	2.25	2.75	3.33
60	-	-	-	-	0.91	1.13	1.40	1.73	2.13

**Nominal performance at to = -10 °C, tc = 45 °C**

Cooling capacity	5 411	W
Power input	2 902	W
Current consumption	5.21	A
Mass flow	192	kg/h
C.O.P.	1.86	

**Pressure switch settings**

Maximum HP switch setting	29.7	bar(g)
Minimum LP switch setting	1.4	bar(g)
LP pump down setting	2	bar(g)

**Sound power data**

Sound power level	67	dB(A)
With acoustic hood	59	dB(A)

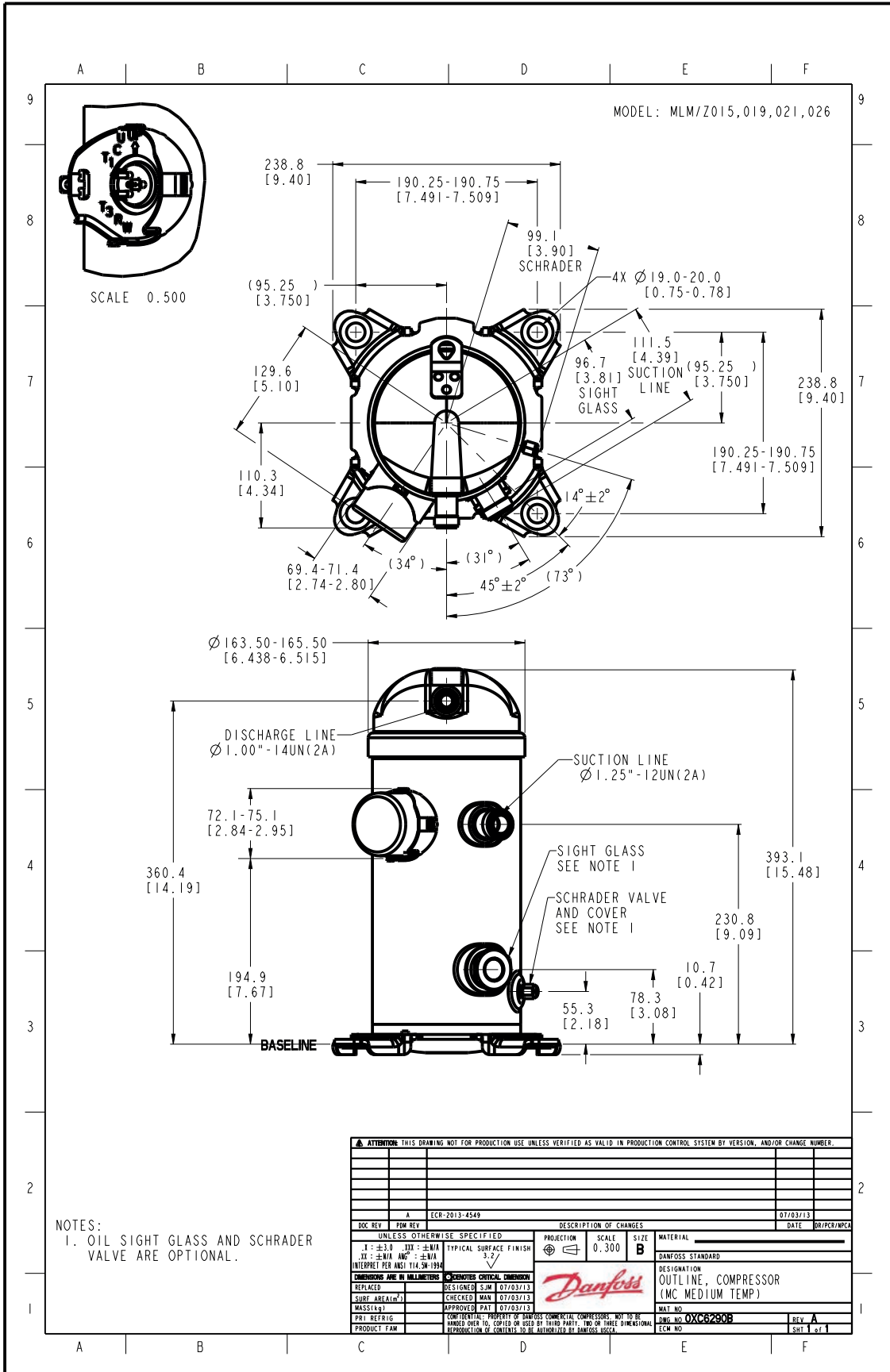
to: Evaporating temperature at dew point

tc: Condensing temperature at dew point

Rating conditions : Superheat = 10 K , Subcooling = 0 K

All performance data +/- 5%





Danfoss can accept no responsibility for possible errors in catalogues, brochures and other printed material. Danfoss reserves the right to alter its products without notice. This also applies to products already on order provided that such alterations can be made without consequential changes being necessary in specifications already agreed. All trademarks in this material are property of the respective companies. Danfoss, the Danfoss logotype and Maneurop are trademarks of Danfoss A/S. All rights reserved.