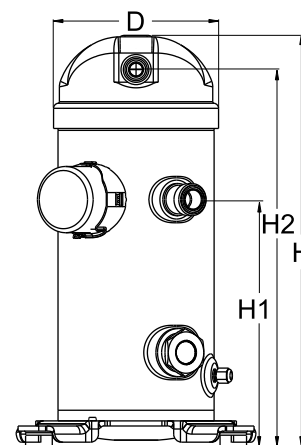


General Characteristics

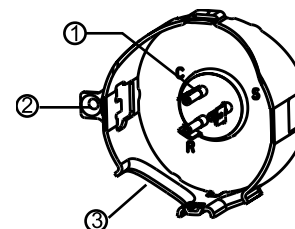
Model number (on compressor nameplate)		MLZ026T5LT9
Code number for Singlepack*		121U8527
Code number for Industrial pack**		121U8526
Drawing number		0XC6290B-1
Suction and discharge connections		Rotolock
Suction connection		1-1/4 " Rotolock
Discharge connection		1 " Rotolock
Suction connection with supplied sleeve		3/4 " -
Discharge connection with supplied sleeve	- "	1/2 " -
Oil sight glass		Threaded
Oil equalisation connection		None
Oil drain connection		None
LP gauge port		None
IPR valve		None
Swept volume		57,11 cm ³ /rev
Displacement @ Nominal speed		9.9 m ³ /h @ 2900 rpm
Net weight		31 kg
Oil charge		1,06 litre, PVE - -
Maximum system test pressure Low Side / High side		- bar(g) / - bar(g)
Maximum differential test pressure		- bar
Maximum number of starts per hour		12
Refrigerant charge limit		3,63 kg
Approved refrigerants		R404A, R507, R134a, R407A, R407C, R407F, R22

Dimensions


D=184 mm
H=412,1 mm
H1=249,8 mm
H2=379,4 mm
H3=- mm

Electrical Characteristics

Nominal voltage	230V/1/50Hz
Voltage range	207-253 V
Winding resistance (main / start) at 25°C	0,689 Ω / 1,509 Ω
Run capacitors A + C	70 μF + - μF
Start capacitor B	145-175 μF
Start relay	RVA9CKL
Rated Load Amps (RLA)	16.7 A
Maximum Continuous Current (MCC)	26 A
Locked Rotor Amps (LRA)	97 A
Motor protection	Internal overload protector

Terminal box


IP22

- 1: Spade connectors 1/4"
- 2: Earth connection
- 3: Power cable passage

Recommended Installation torques

Oil sight glass	52,5 Nm
Power connections / Earth connection	0 Nm / 0 Nm

Parts shipped with compressor

Mounting kit with grommets and sleeves
Initial oil charge
Installation instructions

Approvals : CE certified, -, -

*Singlepack: Compressor in cardboard box. 121U... optimised for Danfoss pallet, 120U... optimised for US pallet

**Industrial pack: 121U...: 12 unboxed compressors on Danfoss pallet. 120U...: 16 unboxed compressors on US pallet

Rotolock accessories, suction side

Code no.

Angle adapter, C04 (1-1/4" Rotolock, 3/4" ODF)	8168006
Rotolock valve, V04 (1-1/4" Rotolock, 3/4" ODF)	8168029
Gasket, 1-1/4"	8156131

Rotolock accessories, discharge side

Code no.

Angle adapter, C01 (1" Rotolock, 3/8" ODF)	8168004
Rotolock valve, V06 (1" Rotolock, 1/2" ODF)	8168031
Gasket, 1"	8156130

Rotolock accessories, sets

Code no.

Teflon seals, sleeves, nuts for discharge and suction (1" and 1"1/4)	120Z5074
Gasket set, 1", 1-1/4", 1-3/4", OSG gaskets black & white	8156009

Oil / lubricants

Code no.

PVE lubricant, 320HV (FVC68D), 1 litre can	120Z5034
--	----------

Crankcase heaters

Code no.

Belt type crankcase heater, 70 W, 240 V, CE mark, UL	120Z5040
--	----------

Miscellaneous accessories

Code no.

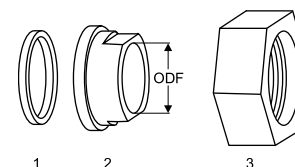
Acoustic hood	120Z5043
Discharge thermostat kit	7750009

Spare parts

Code no.

Mounting kit for 1 scroll compressor including 4 grommets, 4 sleeves, 4 bolts, 4 washers	120Z5005
--	----------

Gaskets, sleeves and nuts



- 1: Gasket
- 2: Solder sleeve
- 3: Rotolock nut

Performance data at 50 Hz, EN 12900 rating conditions, Superheat = 10 K
R22

Cond. temp. in °C (tc)	Evaporating temperature in °C (to)							
	-20	-15	-10	-5	0	5	10	

Cooling capacity in W

16	5 198	6 245	7 447	8 850	-	-	-	-	-
20	4 997	6 028	7 205	8 575	10 180	-	-	-	-
30	4 506	5 495	6 608	7 892	9 392	11 152	13 209	-	-
40	3 998	4 942	5 989	7 186	8 579	10 213	12 130	-	-
50	-	4 329	5 307	6 415	7 700	9 207	10 982	-	-
60	-	-	-	5 540	6 714	8 093	9 723	-	-
68	-	-	-	-	-	7 096	8 611	-	-

Power input in W

16	1 268	1 337	1 394	1 440	-	-	-	-	-
20	1 433	1 494	1 545	1 586	1 617	-	-	-	-
30	1 819	1 866	1 904	1 932	1 953	1 965	1 968	-	-
40	2 226	2 261	2 289	2 309	2 322	2 328	2 328	-	-
50	-	2 750	2 771	2 786	2 795	2 798	2 796	-	-
60	-	-	-	3 432	3 440	3 444	3 444	-	-
68	-	-	-	-	-	4 133	4 137	-	-

Current consumption in A

16	6.78	7.15	7.45	7.70	-	-	-	-	-
20	7.66	7.99	8.26	8.48	8.64	-	-	-	-
30	9.73	9.98	10.18	10.33	10.44	10.51	10.53	-	-
40	11.90	12.09	12.24	12.35	12.42	12.45	12.45	-	-
50	-	14.71	14.82	14.90	14.95	14.96	14.95	-	-
60	-	-	-	18.35	18.39	18.42	18.41	-	-
68	-	-	-	-	-	22.10	22.12	-	-

Mass flow in kg/h

16	96	116	138	164	-	-	-	-	-
20	96	116	138	164	194	-	-	-	-
30	96	116	138	163	192	226	264	-	-
40	92	113	135	160	190	223	261	-	-
50	-	106	129	156	185	219	258	-	-
60	-	-	-	148	179	213	253	-	-
68	-	-	-	-	-	207	247	-	-

Coefficient of performance (C.O.P.)

16	4.10	4.67	5.34	6.15	-	-	-	-	-
20	3.49	4.03	4.66	5.41	6.30	-	-	-	-
30	2.48	2.95	3.47	4.08	4.81	5.68	6.71	-	-
40	1.80	2.19	2.62	3.11	3.69	4.39	5.21	-	-
50	-	1.57	1.92	2.30	2.75	3.29	3.93	-	-
60	-	-	-	1.61	1.95	2.35	2.82	-	-
68	-	-	-	-	-	1.72	2.08	-	-

Nominal performance at to = -10 °C, tc = 45 °C

Cooling capacity	5 659	W
Power input	2 514	W
Current consumption	13.44	A
Mass flow	133	kg/h
C.O.P.	2.25	

Pressure switch settings

Maximum HP switch setting	29.8	bar(g)
Minimum LP switch setting	0.5	bar(g)
LP pump down setting	0.95	bar(g)

Sound power data

Sound power level	67	dB(A)
With acoustic hood	59	dB(A)

to: Evaporating temperature at dew point

tc: Condensing temperature at dew point

Rating conditions : Superheat = 10 K , Subcooling = 0 K

All performance data +/- 5%

Performance data at 50 Hz, EN 12900 rating conditions, Suction temp. = 20 °C
R22

Cond. temp. in °C (tc)	Evaporating temperature in °C (to)							
	-20	-15	-10	-5	0	5	10	

Cooling capacity in W

16	5 071	6 112	7 312	8 720	-	-	-	-	-
20	4 888	5 912	7 087	8 460	10 081	-	-	-	-
30	4 441	5 423	6 532	7 817	9 325	11 107	13 209	-	-
40	-	4 914	5 956	7 150	8 544	10 188	12 130	-	-
50	-	-	-	6 419	7 698	9 202	10 982	-	-
60	-	-	-	-	6 745	8 108	9 723	-	-
68	-	-	-	-	-	-	8 611	-	-

Power input in W

16	1 268	1 337	1 394	1 440	-	-	-	-	-
20	1 433	1 494	1 545	1 586	1 617	-	-	-	-
30	1 819	1 866	1 904	1 932	1 953	1 965	1 968	-	-
40	-	2 261	2 289	2 309	2 322	2 328	2 328	-	-
50	-	-	-	2 786	2 795	2 798	2 796	-	-
60	-	-	-	-	3 440	3 444	3 444	-	-
68	-	-	-	-	-	-	4 137	-	-

Current consumption in A

16	6.78	7.15	7.45	7.70	-	-	-	-	-
20	7.66	7.99	8.26	8.48	8.64	-	-	-	-
30	9.73	9.98	10.18	10.33	10.44	10.51	10.53	-	-
40	-	12.09	12.24	12.35	12.42	12.45	12.45	-	-
50	-	-	-	14.90	14.95	14.96	14.95	-	-
60	-	-	-	-	18.39	18.42	18.41	-	-
68	-	-	-	-	-	-	22.12	-	-

Mass flow in kg/h

16	84	104	126	153	-	-	-	-	-
20	85	104	126	153	185	-	-	-	-
30	85	104	126	152	183	220	264	-	-
40	-	101	124	150	181	218	261	-	-
50	-	-	-	145	177	214	258	-	-
60	-	-	-	-	170	208	253	-	-
68	-	-	-	-	-	-	247	-	-

Coefficient of performance (C.O.P.)

16	4.00	4.57	5.25	6.06	-	-	-	-	-
20	3.41	3.96	4.59	5.33	6.24	-	-	-	-
30	2.44	2.91	3.43	4.04	4.78	5.65	6.71	-	-
40	-	2.17	2.60	3.10	3.68	4.38	5.21	-	-
50	-	-	-	2.30	2.75	3.29	3.93	-	-
60	-	-	-	-	1.96	2.35	2.82	-	-
68	-	-	-	-	-	-	2.08	-	-

Nominal performance at to = -10 °C, tc = 45 °C

Cooling capacity	5 647	W
Power input	2 514	W
Current consumption	13.44	A
Mass flow	121	kg/h
C.O.P.	2.25	

Pressure switch settings

Maximum HP switch setting	29.8	bar(g)
Minimum LP switch setting	0.5	bar(g)
LP pump down setting	0.95	bar(g)

Sound power data

Sound power level	67	dB(A)
With acoustic hood	59	dB(A)

to: Evaporating temperature at dew point

tc: Condensing temperature at dew point

Rating conditions : Suction gas temp. = 20 °C , Subcooling = 0 K

All performance data +/- 5%

Performance data at 50 Hz, EN 12900 rating conditions, Superheat = 10 K
R134a

Cond. temp. in °C (tc)	Evaporating temperature in °C (to)							
	-15	-10	-5	0	5	10	15	

Cooling capacity in W

22	3 422	4 344	5 390	6 565	7 878	-	-	-	-
30	3 146	4 026	5 040	6 194	7 496	8 952	-	-	-
40	2 790	3 581	4 520	5 612	6 865	8 285	9 879	-	-
50	-	3 123	3 948	4 939	6 103	7 447	8 979	-	-
60	-	-	3 365	4 216	5 252	6 482	7 912	-	-
70	-	-	-	3 485	4 355	5 431	6 720	-	-
73	-	-	-	3 271	4 084	5 106	6 345	-	-

Power input in W

22	1 286	1 301	1 329	1 369	1 422	-	-	-	-
30	1 475	1 492	1 518	1 553	1 595	1 647	-	-	-
40	1 743	1 771	1 802	1 837	1 875	1 917	1 963	-	-
50	-	2 098	2 142	2 186	2 228	2 269	2 309	-	-
60	-	-	2 543	2 603	2 657	2 706	2 749	-	-
70	-	-	-	3 093	3 168	3 232	3 286	-	-
73	-	-	-	3 254	3 337	3 408	3 466	-	-

Current consumption in A

22	6.87	6.96	7.11	7.32	7.60	-	-	-	-
30	7.89	7.98	8.12	8.30	8.53	8.81	-	-	-
40	9.32	9.47	9.64	9.82	10.03	10.25	10.50	-	-
50	-	11.22	11.46	11.69	11.91	12.13	12.35	-	-
60	-	-	13.60	13.92	14.21	14.47	14.70	-	-
70	-	-	-	16.54	16.94	17.28	17.57	-	-
73	-	-	-	17.40	17.84	18.22	18.54	-	-

Mass flow in kg/h

22	74	92	112	134	158	-	-	-	-
30	73	92	112	135	160	188	-	-	-
40	71	90	111	135	161	190	223	-	-
50	-	87	108	132	159	190	224	-	-
60	-	-	105	128	155	187	222	-	-
70	-	-	-	123	150	181	217	-	-
73	-	-	-	121	148	179	215	-	-

Coefficient of performance (C.O.P.)

22	2.66	3.34	4.05	4.79	5.54	-	-	-	-
30	2.13	2.70	3.32	3.99	4.70	5.44	-	-	-
40	1.60	2.02	2.51	3.06	3.66	4.32	5.03	-	-
50	-	1.49	1.84	2.26	2.74	3.28	3.89	-	-
60	-	-	1.32	1.62	1.98	2.40	2.88	-	-
70	-	-	-	1.13	1.38	1.68	2.05	-	-
73	-	-	-	1.01	1.22	1.50	1.83	-	-

Nominal performance at to = -10 °C, tc = 45 °C

Cooling capacity	3 351	W
Power input	1 928	W
Current consumption	10.31	A
Mass flow	89	kg/h
C.O.P.	1.74	

Pressure switch settings

Maximum HP switch setting	23.6	bar(g)
Minimum LP switch setting	0.45	bar(g)
LP pump down setting	0.85	bar(g)

Sound power data

Sound power level	67	dB(A)
With acoustic hood	59	dB(A)

to: Evaporating temperature at dew point

tc: Condensing temperature at dew point

Rating conditions : Superheat = 10 K , Subcooling = 0 K

All performance data +/- 5%

Performance data at 50 Hz, EN 12900 rating conditions, Suction temp. = 20 °C

R134a

Cond. temp. in °C (tc)	Evaporating temperature in °C (to)							
	-15	-10	-5	0	5	10	15	

Cooling capacity in W

22	3 477	4 395	5 431	6 594	7 891	-	-	-	-
30	-	4 101	5 105	6 242	7 521	8 952	-	-	-
40	-	-	4 613	5 684	6 906	8 285	9 833	-	-
50	-	-	4 068	5 034	6 159	7 447	8 908	-	-
60	-	-	-	4 334	5 323	6 482	-	-	-
70	-	-	-	-	4 440	5 431	-	-	-
73	-	-	-	-	4 172	5 106	-	-	-

Power input in W

22	1 286	1 301	1 329	1 369	1 422	-	-	-	-
30	-	1 492	1 518	1 553	1 595	1 647	-	-	-
40	-	-	1 802	1 837	1 875	1 917	1 963	-	-
50	-	-	2 142	2 186	2 228	2 269	2 309	-	-
60	-	-	-	2 603	2 657	2 706	-	-	-
70	-	-	-	-	3 168	3 232	-	-	-
73	-	-	-	-	3 337	3 408	-	-	-

Current consumption in A

22	6.87	6.96	7.11	7.32	7.60	-	-	-	-
30	-	7.98	8.12	8.30	8.53	8.81	-	-	-
40	-	-	9.64	9.82	10.03	10.25	10.50	-	-
50	-	-	11.46	11.69	11.91	12.13	12.35	-	-
60	-	-	-	13.92	14.21	14.47	-	-	-
70	-	-	-	-	16.94	17.28	-	-	-
73	-	-	-	-	17.84	18.22	-	-	-

Mass flow in kg/h

22	66	85	105	128	154	-	-	-	-
30	-	84	105	129	157	188	-	-	-
40	-	-	104	129	157	190	229	-	-
50	-	-	101	126	155	190	230	-	-
60	-	-	-	122	152	187	-	-	-
70	-	-	-	-	146	181	-	-	-
73	-	-	-	-	144	179	-	-	-

Coefficient of performance (C.O.P.)

22	2.70	3.38	4.09	4.81	5.55	-	-	-	-
30	-	2.75	3.36	4.02	4.71	5.44	-	-	-
40	-	-	2.56	3.09	3.68	4.32	5.01	-	-
50	-	-	1.90	2.30	2.76	3.28	3.86	-	-
60	-	-	-	1.66	2.00	2.40	-	-	-
70	-	-	-	-	1.40	1.68	-	-	-
73	-	-	-	-	1.25	1.50	-	-	-

Nominal performance at to = -10 °C, tc = 45 °C

Cooling capacity	-	W
Power input	-	W
Current consumption	-	A
Mass flow	-	kg/h
C.O.P.	-	

to: Evaporating temperature at dew point

tc: Condensing temperature at dew point

Rating conditions : Suction gas temp. = 20 °C , Subcooling = 0 K

Pressure switch settings

Maximum HP switch setting	23.6	bar(g)
Minimum LP switch setting	0.45	bar(g)
LP pump down setting	0.85	bar(g)

Sound power data

Sound power level	67	dB(A)
With acoustic hood	59	dB(A)

All performance data +/- 5%

Performance data at 50 Hz, EN 12900 rating conditions, Suction temp. = 20 °C

R404A

Cond. temp. in °C (tc)	Evaporating temperature in °C (to)								
	-30	-25	-20	-15	-10	-5	0	5	10

Cooling capacity in W

10	4 043	4 996	6 160	7 557	9 207	-	-	-	-
20	3 581	4 453	5 505	6 759	8 236	9 958	11 946	-	-
30	3 146	3 933	4 868	5 975	7 274	8 787	10 536	12 543	14 828
40	-	3 416	4 232	5 187	6 304	7 604	9 110	10 841	12 821
50	-	-	3 576	4 376	5 306	6 390	7 647	9 100	10 770
60	-	-	-	-	4 263	5 124	6 129	7 299	8 656

Power input in W

10	1 274	1 292	1 308	1 323	1 340	-	-	-	-
20	1 615	1 637	1 654	1 669	1 683	1 698	1 713	-	-
30	2 049	2 074	2 092	2 106	2 117	2 125	2 132	2 141	2 151
40	-	2 637	2 655	2 667	2 673	2 674	2 673	2 670	2 667
50	-	-	3 376	3 384	3 385	3 379	3 368	3 353	3 335
60	-	-	-	-	4 286	4 272	4 250	4 222	4 189

Current consumption in A

10	9.30	9.03	8.76	8.52	8.29	-	-	-	-
20	9.36	9.26	9.16	9.09	9.02	8.98	8.96	-	-
30	10.00	10.00	10.00	10.01	10.04	10.09	10.15	10.24	10.36
40	-	11.48	11.50	11.53	11.57	11.63	11.70	11.80	11.92
50	-	-	13.90	13.86	13.84	13.83	13.83	13.86	13.91
60	-	-	-	-	17.07	16.91	16.78	16.65	16.56

Mass flow in kg/h

10	81	101	126	155	190	-	-	-	-
20	78	99	122	151	185	226	274	-	-
30	76	96	119	147	180	220	268	324	390
40	-	93	116	143	176	215	262	317	381
50	-	-	113	140	172	210	256	310	374
60	-	-	-	-	168	205	250	303	366

Coefficient of performance (C.O.P.)

10	3.17	3.87	4.71	5.71	6.87	-	-	-	-
20	2.22	2.72	3.33	4.05	4.89	5.87	6.97	-	-
30	1.54	1.90	2.33	2.84	3.44	4.14	4.94	5.86	6.89
40	-	1.30	1.59	1.95	2.36	2.84	3.41	4.06	4.81
50	-	-	1.06	1.29	1.57	1.89	2.27	2.71	3.23
60	-	-	-	-	0.99	1.20	1.44	1.73	2.07

Nominal performance at to = -10 °C, tc = 45 °C

Cooling capacity	5 810	W
Power input	3 007	W
Current consumption	12.60	A
Mass flow	174	kg/h
C.O.P.	1.93	



Pressure switch settings

Maximum HP switch setting	29.7	bar(g)
Minimum LP switch setting	1.4	bar(g)
LP pump down setting	2	bar(g)

Sound power data

Sound power level	67	dB(A)
With acoustic hood	59	dB(A)

to: Evaporating temperature at dew point

tc: Condensing temperature at dew point

Rating conditions : Suction gas temp. = 20 °C , Subcooling = 0 K

All performance data +/- 5%

Performance data at 50 Hz, EN 12900 rating conditions, Superheat = 10 K
R404A

Cond. temp. in °C (tc)	Evaporating temperature in °C (to)								
	-30	-25	-20	-15	-10	-5	0	5	10

Cooling capacity in W

10	3 886	4 835	6 003	7 411	9 084	-	-	-	-
20	3 368	4 229	5 278	6 539	8 037	9 795	11 833	-	-
30	2 877	3 645	4 572	5 682	7 000	8 553	10 362	12 449	14 828
40	2 395	3 065	3 865	4 819	5 955	7 297	8 873	10 707	12 821
50	-	-	3 137	3 932	4 880	6 009	7 348	8 925	10 770
60	-	-	-	-	3 751	4 662	5 760	7 078	8 656

Power input in W

10	1 274	1 292	1 308	1 323	1 340	-	-	-	-
20	1 615	1 637	1 654	1 669	1 683	1 698	1 713	-	-
30	2 049	2 074	2 092	2 106	2 117	2 125	2 132	2 141	2 151
40	2 610	2 637	2 655	2 667	2 673	2 674	2 673	2 670	2 667
50	-	-	3 376	3 384	3 385	3 379	3 368	3 353	3 335
60	-	-	-	-	4 286	4 272	4 250	4 222	4 189

Current consumption in A

10	9.30	9.03	8.76	8.52	8.29	-	-	-	-
20	9.36	9.26	9.16	9.09	9.02	8.98	8.96	-	-
30	10.00	10.00	10.00	10.01	10.04	10.09	10.15	10.24	10.36
40	11.47	11.48	11.50	11.53	11.57	11.63	11.70	11.80	11.92
50	-	-	13.90	13.86	13.84	13.83	13.83	13.86	13.91
60	-	-	-	-	17.07	16.91	16.78	16.65	16.56

Mass flow in kg/h

10	96	119	144	174	209	-	-	-	-
20	93	115	141	170	204	244	289	-	-
30	91	112	137	166	199	238	283	333	390
40	88	109	133	161	194	232	276	326	381
50	-	-	130	157	190	227	270	319	374
60	-	-	-	-	185	222	264	312	366

Coefficient of performance (C.O.P.)

10	3.05	3.74	4.59	5.60	6.78	-	-	-	-
20	2.09	2.58	3.19	3.92	4.77	5.77	6.91	-	-
30	1.40	1.76	2.18	2.70	3.31	4.03	4.86	5.82	6.89
40	0.92	1.16	1.46	1.81	2.23	2.73	3.32	4.01	4.81
50	-	-	0.93	1.16	1.44	1.78	2.18	2.66	3.23
60	-	-	-	-	0.88	1.09	1.36	1.68	2.07

Nominal performance at to = -10 °C, tc = 45 °C

Cooling capacity	5 422	W
Power input	3 007	W
Current consumption	12.60	A
Mass flow	192	kg/h
C.O.P.	1.80	

Pressure switch settings

Maximum HP switch setting	29.7	bar(g)
Minimum LP switch setting	1.4	bar(g)
LP pump down setting	2	bar(g)

Sound power data

Sound power level	67	dB(A)
With accoustic hood	59	dB(A)

to: Evaporating temperature at dew point

tc: Condensing temperature at dew point

Rating conditions : Superheat = 10 K , Subcooling = 0 K

All performance data +/- 5%

Performance data at 50 Hz, EN 12900 rating conditions
R407F

Cond. temp. in °C (tc)	Evaporating temperature in °C (to)							
	-23	-20	-15	-10	-5	0	5	10

Cooling capacity in W

10	4 732	5 431	6 770	8 350	-	-	-	-	-
20	4 253	4 916	6 181	7 669	9 409	11 427	-	-	-
30	3 729	4 348	5 526	6 909	8 526	10 403	12 568	15 047	-
40	3 167	3 734	4 811	6 077	7 557	9 281	11 273	13 563	-
45	-	-	4 434	5 635	7 043	8 684	10 586	12 776	-
50	-	-	-	5 179	6 510	8 066	9 874	11 961	-
55	-	-	-	-	5 959	7 427	9 137	11 118	-
60	-	-	-	-	-	-	-	-	-

Power input in W

10	1 409	1 421	1 446	1 483	-	-	-	-	-
20	1 636	1 650	1 671	1 696	1 733	1 790	-	-	-
30	1 970	1 994	2 022	2 043	2 068	2 103	2 158	2 241	-
40	2 445	2 484	2 529	2 559	2 581	2 604	2 638	2 690	-
45	-	-	2 852	2 889	2 915	2 936	2 963	3 003	-
50	-	-	-	3 274	3 305	3 327	3 350	3 381	-
55	-	-	-	-	3 756	3 782	3 803	3 828	-
60	-	-	-	-	-	-	-	-	-

Current consumption in A

10	9.23	9.20	9.14	9.08	-	-	-	-	-
20	10.04	10.06	10.08	10.09	10.09	10.10	-	-	-
30	10.86	10.92	11.00	11.07	11.14	11.20	11.27	11.35	-
40	12.22	12.31	12.43	12.54	12.65	12.75	12.86	12.98	-
45	-	-	13.49	13.62	13.74	13.86	13.98	14.12	-
50	-	-	-	15.01	15.14	15.27	15.41	15.55	-
55	-	-	-	-	16.92	17.05	17.19	17.34	-
60	-	-	-	-	-	-	-	-	-

Mass flow in kg/h

10	83	94	116	141	-	-	-	-	-
20	80	92	114	140	169	203	-	-	-
30	77	89	111	137	166	200	239	283	-
40	72	84	106	132	162	196	235	279	-
45	-	-	103	129	159	193	232	276	-
50	-	-	-	126	155	189	228	272	-
55	-	-	-	-	151	186	224	268	-
60	-	-	-	-	-	-	-	-	-

Coefficient of performance (C.O.P.)

10	3.36	3.82	4.68	5.63	-	-	-	-	-
20	2.60	2.98	3.70	4.52	5.43	6.38	-	-	-
30	1.89	2.18	2.73	3.38	4.12	4.95	5.82	6.72	-
40	1.30	1.50	1.90	2.37	2.93	3.56	4.27	5.04	-
45	-	-	1.55	1.95	2.42	2.96	3.57	4.25	-
50	-	-	-	1.58	1.97	2.42	2.95	3.54	-
55	-	-	-	-	1.59	1.96	2.40	2.90	-
60	-	-	-	-	-	-	-	-	-

Nominal performance at to = -10 °C, tc = 45 °C

Cooling capacity	5 635	W
Power input	2 889	W
Current consumption	13.62	A
Mass flow	129	kg/h
C.O.P.	1.95	

Pressure switch settings

Maximum HP switch setting	29.7	bar(g)
Minimum LP switch setting	1.4	bar(g)
LP pump down setting	2	bar(g)

Sound power data

Sound power level	67	dB(A)
With acoustic hood	59	dB(A)

to: Evaporating temperature at dew point

tc: Condensing temperature at dew point

Rating conditions : Superheat = 10 K , Subcooling = 0 K

All performance data +/- 5%

Danfoss can accept no responsibility for possible errors in catalogues, brochures and other printed material. Danfoss reserves the right to alter its products without notice. This also applies to products already on order provided that such alternations can be made without subsequential changes being necessary in specifications already agreed. All trademarks in this material are property of the respective companies. Danfoss and the Danfoss logotype are trademarks of Danfoss A/S. All rights reserved.

Performance data at 50 Hz, ARI rating conditions

R407F

Cond. temp. in °C (tc)	Evaporating temperature in °C (to)							
	-23	-20	-15	-10	-5	0	5	10

Cooling capacity in W

10	5 001	5 737	7 146	8 809	-	-	-	-	-
20	4 522	5 224	6 563	8 137	9 975	12 105	-	-	-
30	3 995	4 655	5 910	7 383	9 102	11 096	13 393	16 023	-
40	-	4 037	5 196	6 554	8 142	9 988	12 120	14 567	-
45	-	-	4 817	6 115	7 632	9 399	11 445	13 797	-
50	-	-	-	5 659	7 104	8 790	10 746	13 001	-
55	-	-	-	-	-	8 163	10 028	12 185	-
60	-	-	-	-	-	-	-	-	-

Power input in W

10	1 409	1 421	1 446	1 483	-	-	-	-	-
20	1 636	1 650	1 671	1 696	1 733	1 790	-	-	-
30	1 970	1 994	2 022	2 043	2 068	2 103	2 158	2 241	-
40	-	2 484	2 529	2 559	2 581	2 604	2 638	2 690	-
45	-	-	2 852	2 889	2 915	2 936	2 963	3 003	-
50	-	-	-	3 274	3 305	3 327	3 350	3 381	-
55	-	-	-	-	-	3 782	3 803	3 828	-
60	-	-	-	-	-	-	-	-	-

Current consumption in A

10	9.23	9.20	9.14	9.08	-	-	-	-	-
20	10.04	10.06	10.08	10.09	10.09	10.10	-	-	-
30	10.86	10.92	11.00	11.07	11.14	11.20	11.27	11.35	-
40	-	12.31	12.43	12.54	12.65	12.75	12.86	12.98	-
45	-	-	13.49	13.62	13.74	13.86	13.98	14.12	-
50	-	-	-	15.01	15.14	15.27	15.41	15.55	-
55	-	-	-	-	-	17.05	17.19	17.34	-
60	-	-	-	-	-	-	-	-	-

Mass flow in kg/h

10	82	94	115	140	-	-	-	-	-
20	80	91	113	139	168	202	-	-	-
30	76	88	110	136	165	199	238	281	-
40	-	83	105	131	161	195	233	277	-
45	-	-	103	128	158	192	230	274	-
50	-	-	-	125	154	188	227	271	-
55	-	-	-	-	-	184	223	267	-
60	-	-	-	-	-	-	-	-	-

Coefficient of performance (C.O.P.)

10	3.55	4.04	4.94	5.94	-	-	-	-	-
20	2.76	3.17	3.93	4.80	5.76	6.76	-	-	-
30	2.03	2.34	2.92	3.61	4.40	5.28	6.21	7.15	-
40	-	1.63	2.05	2.56	3.15	3.83	4.59	5.42	-
45	-	-	1.69	2.12	2.62	3.20	3.86	4.59	-
50	-	-	-	1.73	2.15	2.64	3.21	3.85	-
55	-	-	-	-	-	2.16	2.64	3.18	-
60	-	-	-	-	-	-	-	-	-

Nominal performance at to = -10 °C, tc = 45 °C

Cooling capacity	6 115	W
Power input	2 889	W
Current consumption	13.62	A
Mass flow	128	kg/h
C.O.P.	2.12	

Pressure switch settings

Maximum HP switch setting	29.7	bar(g)
Minimum LP switch setting	1.4	bar(g)
LP pump down setting	2	bar(g)

Sound power data

Sound power level	67	dB(A)
With acoustic hood	59	dB(A)

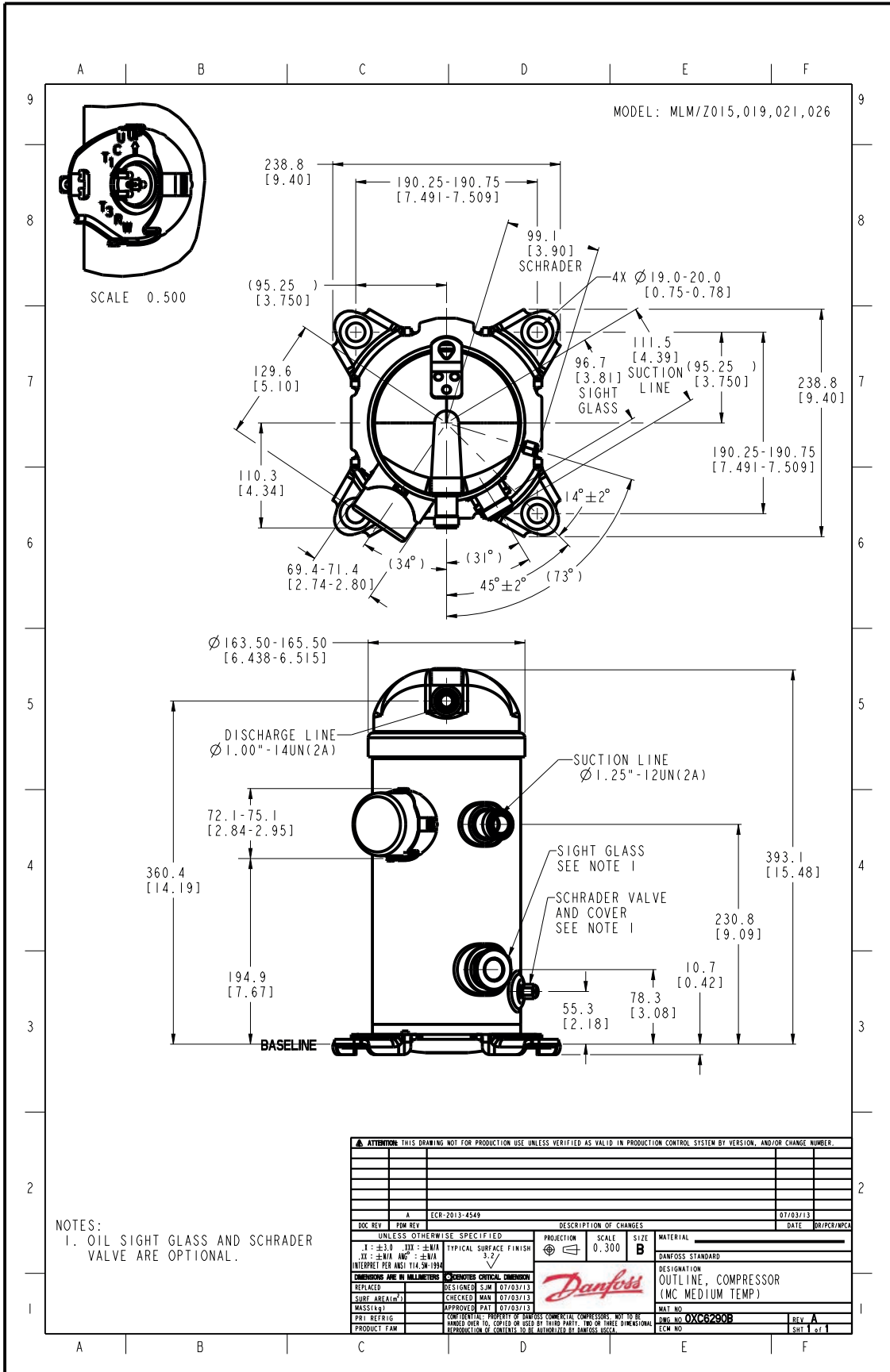
to: Evaporating temperature at dew point

tc: Condensing temperature at dew point

Rating conditions : Superheat = 11.1 K , Subcooling = 8.3 K

All performance data +/- 5%

Danfoss can accept no responsibility for possible errors in catalogues, brochures and other printed material. Danfoss reserves the right to alter its products without notice. This also applies to products already on order provided that such alternations can be made without subsequential changes being necessary in specifications already agreed. All trademarks in this material are property of the respective companies. Danfoss and the Danfoss logotype are trademarks of Danfoss A/S. All rights reserved.



Danfoss can accept no responsibility for possible errors in catalogues, brochures and other printed material. Danfoss reserves the right to alter its products without notice. This also applies to products already on order provided that such alternations can be made without consequential changes being necessary in specifications already agreed. All trademarks in this material are property of the respective companies. Danfoss, the Danfoss logotype and Maneurop are trademarks of Danfoss A/S. All rights reserved.