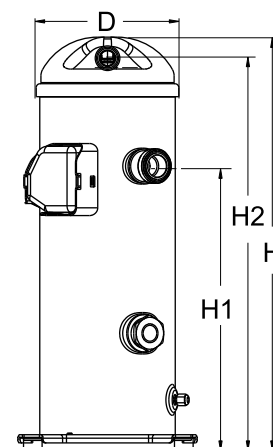


General Characteristics

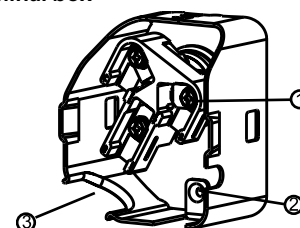
Model number (on compressor nameplate)		MLZ030T4LQ9
Code number for Singlepack*		121U8573
Code number for Industrial pack**		121U8572
Drawing number		0XR6298B-2
Suction and discharge connections		Rotolock
Suction connection		1-1/4 " Rotolock
Discharge connection		1 " Rotolock
Suction connection with supplied sleeve		7/8 " -
Discharge connection with supplied sleeve	- "	1/2 " -
Oil sight glass		Threaded
Oil equalisation connection		None
Oil drain connection		None
LP gauge port		None
IPR valve		None
Swept volume		68,79 cm ³ /rev
Displacement @ Nominal speed		12.0 m ³ /h @ 2900 rpm - 14.4 m ³ /h @ 3500 rpm
Net weight		41 kg
Oil charge		1,57 litre, PVE - -
Maximum system test pressure Low Side / High side		- bar(g) / - bar(g)
Maximum differential test pressure		- bar
Maximum number of starts per hour		12
Refrigerant charge limit		5,44 kg
Approved refrigerants		R404A, R507, R134a, R407A, R407C, R407F, R22

Dimensions


D=184 mm
H=454,9 mm
H1=280 mm
H2=422,2 mm
H3=- mm

Electrical Characteristics

Nominal voltage	380-400V/3/50Hz - 460V/3/60Hz
Voltage range	340-460 V @ 50Hz - 414-506 V @ 60Hz
Winding resistance between phases 1-2 +/- 7% at 25°C	2.6 Ω
Winding resistance between phases 1-3 +/- 7% at 25°C	2.611 Ω
Winding resistance between phases 2-3 +/- 7% at 25°C	2.649 Ω
Rated Load Amps (RLA)	8.3 A
Maximum Continuous Current (MCC)	13 A
Locked Rotor Amps (LRA)	60 A
Motor protection	Internal overload protector

Terminal box


IP22

- 1: Screw connectors 10-32 UNF x 9.5
- 2: Earth connection
- 3: Power cable passage

Recommended Installation torques

Oil sight glass	52,5 Nm
Power connections / Earth connection	3 Nm / 2 Nm

Parts shipped with compressor

Mounting kit with grommets and sleeves
Initial oil charge
Installation instructions

Approvals : CE certified, UL certified (file SA11565), -

*Singlepack: Compressor in cardboard box. 121U... optimised for Danfoss pallet, 120U... optimised for US pallet

**Industrial pack: 121U...: 12 unboxed compressors on Danfoss pallet. 120U...: 16 unboxed compressors on US pallet

Rotolock accessories, suction side
Code no.

Rotolock valve, V05 (1-1/4" Rotolock, 7/8" ODF)	8168030
Gasket, 1-1/4"	8156131

Rotolock accessories, discharge side
Code no.

Angle adapter, C01 (1" Rotolock, 3/8" ODF)	8168004
Rotolock valve, V06 (1" Rotolock, 1/2" ODF)	8168031
Gasket, 1"	8156130

Rotolock accessories, sets
Code no.

Teflon seals, sleeves, nuts for discharge and suction (1" and 1"1/4)	120Z5074
Gasket set, 1", 1-1/4", 1-3/4", OSG gaskets black & white	8156009

Oil / lubricants
Code no.

PVE lubricant, 320HV (FVC68D), 1 litre can	120Z5034
--	----------

Crankcase heaters
Code no.

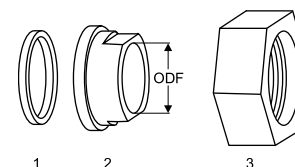
Belt type crankcase heater, 70 W, 230 V, UL	120Z5011
Belt type crankcase heater, 65 W, 230 V, CE mark, UL	120Z0059
Belt type crankcase heater, 65 W, 400 V, CE mark, UL	120Z0060
Belt type crankcase heater, 70 W, 460 V, UL	120Z5012

Miscellaneous accessories
Code no.

Acoustic hood	120Z5044
Discharge thermostat kit	7750009

Spare parts
Code no.

Mounting kit for 1 scroll compressor including 4 grommets, 4 sleeves, 4 bolts, 4 washers	120Z5005
--	----------

Gaskets, sleeves and nuts


- 1: Gasket
- 2: Solder sleeve
- 3: Rotolock nut

Performance data at 50 Hz, EN 12900 rating conditions, Superheat = 10 K
R22

Cond. temp. in °C (tc)	Evaporating temperature in °C (to)							
	-20	-15	-10	-5	0	5	10	

Cooling capacity in W

16	5 960	7 400	9 075	10 978	-	-	-	-	-
20	5 722	7 124	8 756	10 614	12 688	-	-	-	-
30	5 174	6 479	8 005	9 746	11 696	13 844	16 176	-	-
40	4 635	5 841	7 258	8 880	10 703	12 718	14 914	-	-
50	-	5 137	6 441	7 942	9 635	11 516	13 574	-	-
60	-	-	-	6 860	8 422	10 165	12 084	-	-
68	-	-	-	-	-	8 928	10 735	-	-

Power input in W

16	1 466	1 517	1 579	1 652	-	-	-	-	-
20	1 647	1 698	1 757	1 825	1 902	-	-	-	-
30	2 081	2 136	2 193	2 253	2 316	2 384	2 456	-	-
40	2 539	2 604	2 665	2 723	2 779	2 834	2 888	-	-
50	-	3 164	3 236	3 299	3 355	3 403	3 444	-	-
60	-	-	-	4 043	4 104	4 152	4 188	-	-
68	-	-	-	-	-	4 924	4 960	-	-

Current consumption in A

16	2.82	2.92	3.04	3.18	-	-	-	-	-
20	3.17	3.27	3.38	3.51	3.66	-	-	-	-
30	4.01	4.11	4.22	4.34	4.46	4.59	4.73	-	-
40	4.89	5.01	5.13	5.24	5.35	5.45	5.56	-	-
50	-	6.09	6.23	6.35	6.46	6.55	6.63	-	-
60	-	-	-	7.78	7.90	7.99	8.06	-	-
68	-	-	-	-	-	9.48	9.55	-	-

Mass flow in kg/h

16	137	159	183	212	-	-	-	-	-
20	129	152	177	206	239	-	-	-	-
30	116	140	167	197	232	271	316	-	-
40	108	133	161	192	227	267	313	-	-
50	-	126	153	185	221	261	308	-	-
60	-	-	-	173	208	249	296	-	-
68	-	-	-	-	-	233	279	-	-

Coefficient of performance (C.O.P.)

16	4.07	4.88	5.75	6.65	-	-	-	-	-
20	3.47	4.20	4.98	5.82	6.67	-	-	-	-
30	2.49	3.03	3.65	4.33	5.05	5.81	6.59	-	-
40	1.83	2.24	2.72	3.26	3.85	4.49	5.16	-	-
50	-	1.62	1.99	2.41	2.87	3.38	3.94	-	-
60	-	-	-	1.70	2.05	2.45	2.89	-	-
68	-	-	-	-	-	1.81	2.16	-	-

Nominal performance at to = -10 °C, tc = 45 °C

Cooling capacity	6 863	W
Power input	2 934	W
Current consumption	5.65	A
Mass flow	157	kg/h
C.O.P.	2.34	

Pressure switch settings

Maximum HP switch setting	29.8	bar(g)
Minimum LP switch setting	0.5	bar(g)
LP pump down setting	0.95	bar(g)

Sound power data

Sound power level	69	dB(A)
With acoustic hood	61	dB(A)

to: Evaporating temperature at dew point

tc: Condensing temperature at dew point

Rating conditions : Superheat = 10 K , Subcooling = 0 K

All performance data +/- 5%

Performance data at 50 Hz, EN 12900 rating conditions, Suction temp. = 20 °C
R22

Cond. temp. in °C (tc)	Evaporating temperature in °C (to)							
	-20	-15	-10	-5	0	5	10	

Cooling capacity in W

16	5 815	7 241	8 909	10 817	-	-	-	-	-
20	5 597	6 987	8 612	10 472	12 564	-	-	-	-
30	5 099	6 395	7 914	9 654	11 612	13 787	16 176	-	-
40	-	5 809	7 218	8 836	10 660	12 686	14 914	-	-
50	-	-	-	7 947	9 633	11 510	13 574	-	-
60	-	-	-	-	8 460	10 185	12 084	-	-
68	-	-	-	-	-	-	10 735	-	-

Power input in W

16	1 466	1 517	1 579	1 652	-	-	-	-	-
20	1 647	1 698	1 757	1 825	1 902	-	-	-	-
30	2 081	2 136	2 193	2 253	2 316	2 384	2 456	-	-
40	-	2 604	2 665	2 723	2 779	2 834	2 888	-	-
50	-	-	-	3 299	3 355	3 403	3 444	-	-
60	-	-	-	-	4 104	4 152	4 188	-	-
68	-	-	-	-	-	-	4 960	-	-

Current consumption in A

16	2.82	2.92	3.04	3.18	-	-	-	-	-
20	3.17	3.27	3.38	3.51	3.66	-	-	-	-
30	4.01	4.11	4.22	4.34	4.46	4.59	4.73	-	-
40	-	5.01	5.13	5.24	5.35	5.45	5.56	-	-
50	-	-	-	6.35	6.46	6.55	6.63	-	-
60	-	-	-	-	7.90	7.99	8.06	-	-
68	-	-	-	-	-	-	9.55	-	-

Mass flow in kg/h

16	120	143	168	197	-	-	-	-	-
20	114	136	162	192	228	-	-	-	-
30	102	126	153	184	221	265	316	-	-
40	-	119	147	179	217	261	313	-	-
50	-	-	-	173	210	255	308	-	-
60	-	-	-	-	199	243	296	-	-
68	-	-	-	-	-	-	279	-	-

Coefficient of performance (C.O.P.)

16	3.97	4.77	5.64	6.55	-	-	-	-	-
20	3.40	4.11	4.90	5.74	6.61	-	-	-	-
30	2.45	2.99	3.61	4.29	5.01	5.78	6.59	-	-
40	-	2.23	2.71	3.24	3.84	4.48	5.16	-	-
50	-	-	-	2.41	2.87	3.38	3.94	-	-
60	-	-	-	-	2.06	2.45	2.89	-	-
68	-	-	-	-	-	-	2.16	-	-

Nominal performance at to = -10 °C, tc = 45 °C

Cooling capacity	6 849	W
Power input	2 934	W
Current consumption	5.65	A
Mass flow	144	kg/h
C.O.P.	2.33	

to: Evaporating temperature at dew point

tc: Condensing temperature at dew point

Rating conditions : Suction gas temp. = 20 °C , Subcooling = 0 K

Pressure switch settings

Maximum HP switch setting	29.8	bar(g)
Minimum LP switch setting	0.5	bar(g)
LP pump down setting	0.95	bar(g)

Sound power data

Sound power level	69	dB(A)
With acoustic hood	61	dB(A)

All performance data +/- 5%

Performance data at 50 Hz, EN 12900 rating conditions, Superheat = 10 K
R134a

Cond. temp. in °C (tc)	Evaporating temperature in °C (to)							
	-15	-10	-5	0	5	10	15	

Cooling capacity in W

22	4 101	5 183	6 469	7 977	9 727	-	-	-	-
30	3 774	4 788	5 999	7 423	9 080	10 988	-	-	-
40	3 365	4 282	5 385	6 691	8 220	9 988	12 015	-	-
50	-	3 762	4 742	5 916	7 302	8 917	10 780	-	-
60	-	-	4 072	5 099	6 327	7 774	9 459	-	-
70	-	-	-	4 240	5 296	6 561	8 053	-	-
73	-	-	-	3 974	4 976	6 183	7 614	-	-

Power input in W

22	1 179	1 196	1 209	1 223	1 242	-	-	-	-
30	1 396	1 417	1 432	1 446	1 462	1 484	-	-	-
40	1 711	1 741	1 763	1 780	1 797	1 817	1 844	-	-
50	-	2 130	2 164	2 189	2 211	2 234	2 260	-	-
60	-	-	2 647	2 685	2 717	2 747	2 777	-	-
70	-	-	-	3 282	3 328	3 369	3 408	-	-
73	-	-	-	3 482	3 534	3 579	3 622	-	-

Current consumption in A

22	2.27	2.30	2.33	2.35	2.39	-	-	-	-
30	2.69	2.73	2.76	2.78	2.81	2.86	-	-	-
40	3.29	3.35	3.39	3.43	3.46	3.50	3.55	-	-
50	-	4.10	4.16	4.21	4.26	4.30	4.35	-	-
60	-	-	5.09	5.17	5.23	5.29	5.34	-	-
70	-	-	-	6.32	6.41	6.48	6.56	-	-
73	-	-	-	6.70	6.80	6.89	6.97	-	-

Mass flow in kg/h

22	88	109	134	162	194	-	-	-	-
30	87	108	133	162	194	230	-	-	-
40	86	107	131	160	193	230	271	-	-
50	-	105	129	157	190	227	269	-	-
60	-	-	126	154	186	223	265	-	-
70	-	-	-	149	181	218	259	-	-
73	-	-	-	148	179	216	257	-	-

Coefficient of performance (C.O.P.)

22	3.48	4.33	5.35	6.52	7.83	-	-	-	-
30	2.70	3.38	4.19	5.13	6.21	7.40	-	-	-
40	1.97	2.46	3.05	3.76	4.57	5.50	6.52	-	-
50	-	1.77	2.19	2.70	3.30	3.99	4.77	-	-
60	-	-	1.54	1.90	2.33	2.83	3.41	-	-
70	-	-	-	1.29	1.59	1.95	2.36	-	-
73	-	-	-	1.14	1.41	1.73	2.10	-	-

Nominal performance at to = -10 °C, tc = 45 °C

Cooling capacity	4 024	W
Power input	1 927	W
Current consumption	3.71	A
Mass flow	106	kg/h
C.O.P.	2.09	

Pressure switch settings

Maximum HP switch setting	23.6	bar(g)
Minimum LP switch setting	0.45	bar(g)
LP pump down setting	0.85	bar(g)

Sound power data

Sound power level	69	dB(A)
With acoustic hood	61	dB(A)

to: Evaporating temperature at dew point

tc: Condensing temperature at dew point

Rating conditions : Superheat = 10 K , Subcooling = 0 K

All performance data +/- 5%

Performance data at 50 Hz, EN 12900 rating conditions, Suction temp. = 20 °C

R134a

Cond. temp. in °C (tc)	Evaporating temperature in °C (to)							
	-15	-10	-5	0	5	10	15	

Cooling capacity in W

22	4 166	5 243	6 519	8 012	9 743	-	-	-	-
30	-	4 877	6 076	7 481	9 111	10 988	-	-	-
40	-	-	5 496	6 777	8 269	9 988	11 959	-	-
50	-	-	4 887	6 031	7 369	8 917	10 694	-	-
60	-	-	-	5 241	6 412	7 774	-	-	-
70	-	-	-	-	5 398	6 561	-	-	-
73	-	-	-	-	5 083	6 183	-	-	-

Power input in W

22	1 179	1 196	1 209	1 223	1 242	-	-	-	-
30	-	1 417	1 432	1 446	1 462	1 484	-	-	-
40	-	-	1 763	1 780	1 797	1 817	1 844	-	-
50	-	-	2 164	2 189	2 211	2 234	2 260	-	-
60	-	-	-	2 685	2 717	2 747	-	-	-
70	-	-	-	-	3 328	3 369	-	-	-
73	-	-	-	-	3 534	3 579	-	-	-

Current consumption in A

22	2.27	2.30	2.33	2.35	2.39	-	-	-	-
30	-	2.73	2.76	2.78	2.81	2.86	-	-	-
40	-	-	3.39	3.43	3.46	3.50	3.55	-	-
50	-	-	4.16	4.21	4.26	4.30	4.35	-	-
60	-	-	-	5.17	5.23	5.29	-	-	-
70	-	-	-	-	6.41	6.48	-	-	-
73	-	-	-	-	6.80	6.89	-	-	-

Mass flow in kg/h

22	79	100	126	155	190	-	-	-	-
30	-	100	125	154	190	230	-	-	-
40	-	-	123	153	188	230	278	-	-
50	-	-	121	150	186	227	276	-	-
60	-	-	-	147	182	223	-	-	-
70	-	-	-	-	177	218	-	-	-
73	-	-	-	-	175	216	-	-	-

Coefficient of performance (C.O.P.)

22	3.53	4.39	5.39	6.55	7.85	-	-	-	-
30	-	3.44	4.24	5.17	6.23	7.40	-	-	-
40	-	-	3.12	3.81	4.60	5.50	6.49	-	-
50	-	-	2.26	2.75	3.33	3.99	4.73	-	-
60	-	-	-	1.95	2.36	2.83	-	-	-
70	-	-	-	-	1.62	1.95	-	-	-
73	-	-	-	-	1.44	1.73	-	-	-

Nominal performance at to = -10 °C, tc = 45 °C

Cooling capacity	-	W
Power input	-	W
Current consumption	-	A
Mass flow	-	kg/h
C.O.P.	-	

to: Evaporating temperature at dew point

tc: Condensing temperature at dew point

Rating conditions : Suction gas temp. = 20 °C , Subcooling = 0 K

Pressure switch settings

Maximum HP switch setting	23.6	bar(g)
Minimum LP switch setting	0.45	bar(g)
LP pump down setting	0.85	bar(g)

Sound power data

Sound power level	69	dB(A)
With acoustic hood	61	dB(A)

All performance data +/- 5%

Performance data at 50 Hz, EN 12900 rating conditions, Suction temp. = 20 °C

R404A

Cond. temp. in °C (tc)	Evaporating temperature in °C (to)								
	-30	-25	-20	-15	-10	-5	0	5	10

Cooling capacity in W

10	4 945	6 061	7 408	9 010	10 890	-	-	-	-
20	4 399	5 451	6 705	8 183	9 909	11 906	14 197	-	-
30	3 837	4 809	5 951	7 289	8 843	10 638	12 697	15 043	17 699
40	-	4 127	5 142	6 321	7 687	9 264	11 073	13 140	15 486
50	-	-	4 273	5 276	6 437	7 777	9 320	11 090	13 109
60	-	-	-	-	5 086	6 174	7 434	8 889	10 564

Power input in W

10	1 470	1 496	1 519	1 539	1 558	-	-	-	-
20	1 831	1 861	1 887	1 909	1 928	1 945	1 962	-	-
30	2 303	2 332	2 356	2 375	2 391	2 404	2 416	2 427	2 438
40	-	2 953	2 970	2 982	2 990	2 995	2 997	2 998	2 998
50	-	-	3 771	3 771	3 767	3 758	3 747	3 733	3 717
60	-	-	-	-	4 764	4 738	4 708	4 675	4 640

Current consumption in A

10	4.10	4.09	4.09	4.10	4.10	-	-	-	-
20	4.36	4.37	4.40	4.43	4.46	4.49	4.49	-	-
30	4.79	4.80	4.83	4.87	4.92	4.95	4.97	4.97	4.94
40	-	5.50	5.51	5.54	5.58	5.61	5.62	5.62	5.59
50	-	-	6.55	6.55	6.56	6.56	6.56	6.53	6.48
60	-	-	-	-	7.98	7.94	7.89	7.83	7.74

Mass flow in kg/h

10	99	123	151	185	224	-	-	-	-
20	96	121	149	183	222	270	325	-	-
30	93	117	146	179	219	267	323	388	465
40	-	113	141	175	215	262	318	384	461
50	-	-	135	169	208	256	312	378	455
60	-	-	-	-	200	247	303	369	446

Coefficient of performance (C.O.P.)

10	3.36	4.05	4.88	5.85	6.99	-	-	-	-
20	2.40	2.93	3.55	4.29	5.14	6.12	7.24	-	-
30	1.67	2.06	2.53	3.07	3.70	4.42	5.26	6.20	7.26
40	-	1.40	1.73	2.12	2.57	3.09	3.70	4.38	5.17
50	-	-	1.13	1.40	1.71	2.07	2.49	2.97	3.53
60	-	-	-	-	1.07	1.30	1.58	1.90	2.28

Nominal performance at to = -10 °C, tc = 45 °C

Cooling capacity	7 074	W
Power input	3 353	W
Current consumption	6.02	A
Mass flow	212	kg/h
C.O.P.	2.11	



Pressure switch settings

Maximum HP switch setting	29.7	bar(g)
Minimum LP switch setting	1.4	bar(g)
LP pump down setting	2	bar(g)

Sound power data

Sound power level	69	dB(A)
With acoustic hood	61	dB(A)

to: Evaporating temperature at dew point

tc: Condensing temperature at dew point

Rating conditions : Suction gas temp. = 20 °C , Subcooling = 0 K

All performance data +/- 5%

Performance data at 50 Hz, EN 12900 rating conditions, Superheat = 10 K
R404A

Cond. temp. in °C (tc)	Evaporating temperature in °C (to)								
	-30	-25	-20	-15	-10	-5	0	5	10

Cooling capacity in W

10	4 752	5 865	7 218	8 837	10 744	-	-	-	-
20	4 137	5 177	6 428	7 917	9 670	11 711	14 062	-	-
30	3 509	4 457	5 589	6 931	8 510	10 354	12 486	14 930	17 699
40	2 866	3 703	4 696	5 873	7 261	8 890	10 786	12 977	15 486
50	-	-	3 748	4 741	5 920	7 314	8 956	10 877	13 109
60	-	-	-	-	4 476	5 617	6 985	8 620	10 564

Power input in W

10	1 470	1 496	1 519	1 539	1 558	-	-	-	-
20	1 831	1 861	1 887	1 909	1 928	1 945	1 962	-	-
30	2 303	2 332	2 356	2 375	2 391	2 404	2 416	2 427	2 438
40	2 929	2 953	2 970	2 982	2 990	2 995	2 997	2 998	2 998
50	-	-	3 771	3 771	3 767	3 758	3 747	3 733	3 717
60	-	-	-	-	4 764	4 738	4 708	4 675	4 640

Current consumption in A

10	4.10	4.09	4.09	4.10	4.10	-	-	-	-
20	4.36	4.37	4.40	4.43	4.46	4.49	4.49	-	-
30	4.79	4.80	4.83	4.87	4.92	4.95	4.97	4.97	4.94
40	5.50	5.50	5.51	5.54	5.58	5.61	5.62	5.62	5.59
50	-	-	6.55	6.55	6.56	6.56	6.56	6.53	6.48
60	-	-	-	-	7.98	7.94	7.89	7.83	7.74

Mass flow in kg/h

10	118	144	174	208	247	-	-	-	-
20	115	141	171	206	245	291	344	-	-
30	111	137	167	202	242	288	341	400	465
40	106	132	162	197	237	283	336	395	461
50	-	-	155	190	230	276	329	389	455
60	-	-	-	-	221	267	320	380	446

Coefficient of performance (C.O.P.)

10	3.23	3.92	4.75	5.74	6.90	-	-	-	-
20	2.26	2.78	3.41	4.15	5.02	6.02	7.17	-	-
30	1.52	1.91	2.37	2.92	3.56	4.31	5.17	6.15	7.26
40	0.98	1.25	1.58	1.97	2.43	2.97	3.60	4.33	5.17
50	-	-	0.99	1.26	1.57	1.95	2.39	2.91	3.53
60	-	-	-	-	0.94	1.19	1.48	1.84	2.28

Nominal performance at to = -10 °C, tc = 45 °C

Cooling capacity	6 602	W
Power input	3 353	W
Current consumption	6.02	A
Mass flow	234	kg/h
C.O.P.	1.97	

Pressure switch settings

Maximum HP switch setting	29.7	bar(g)
Minimum LP switch setting	1.4	bar(g)
LP pump down setting	2	bar(g)

Sound power data

Sound power level	69	dB(A)
With acoustic hood	61	dB(A)

to: Evaporating temperature at dew point

tc: Condensing temperature at dew point

Rating conditions : Superheat = 10 K , Subcooling = 0 K

All performance data +/- 5%

Performance data at 50 Hz, EN 12900 rating conditions
R407F

Cond. temp. in °C (tc)	Evaporating temperature in °C (to)							
	-23	-20	-15	-10	-5	0	5	10

Cooling capacity in W

10	5 829	6 687	8 347	10 324	-	-	-	-	-
20	5 213	5 992	7 506	9 317	11 459	13 961	-	-	-
30	4 641	5 331	6 682	8 312	10 252	12 534	15 192	18 255	-
40	4 125	4 717	5 889	7 321	9 043	11 089	13 491	16 280	-
45	-	-	5 509	6 835	8 443	10 365	12 632	15 277	-
50	-	-	-	6 358	7 847	9 640	11 770	14 267	-
55	-	-	-	-	7 258	8 919	10 906	13 252	-
60	-	-	-	-	-	-	-	-	-

Power input in W

10	1 396	1 410	1 434	1 471	-	-	-	-	-
20	1 750	1 772	1 796	1 815	1 842	1 889	-	-	-
30	2 166	2 209	2 255	2 278	2 292	2 308	2 340	2 400	-
40	2 645	2 723	2 811	2 860	2 882	2 890	2 895	2 911	-
45	-	-	3 126	3 196	3 230	3 241	3 242	3 244	-
50	-	-	-	3 561	3 613	3 633	3 634	3 628	-
55	-	-	-	-	4 031	4 065	4 072	4 064	-
60	-	-	-	-	-	-	-	-	-

Current consumption in A

10	2.54	2.54	2.50	2.44	-	-	-	-	-
20	3.62	3.66	3.69	3.69	3.68	3.67	-	-	-
30	4.35	4.42	4.49	4.52	4.53	4.54	4.58	4.66	-
40	5.09	5.17	5.26	5.30	5.31	5.32	5.35	5.41	-
45	-	-	5.75	5.79	5.80	5.79	5.81	5.85	-
50	-	-	-	6.41	6.40	6.39	6.38	6.40	-
55	-	-	-	-	7.18	7.14	7.11	7.10	-
60	-	-	-	-	-	-	-	-	-

Mass flow in kg/h

10	102	116	143	175	-	-	-	-	-
20	98	112	139	170	206	248	-	-	-
30	95	109	134	164	200	241	289	343	-
40	94	106	130	159	193	234	281	335	-
45	-	-	128	156	190	230	277	330	-
50	-	-	-	154	187	226	272	325	-
55	-	-	-	-	184	223	268	320	-
60	-	-	-	-	-	-	-	-	-

Coefficient of performance (C.O.P.)

10	4.18	4.74	5.82	7.02	-	-	-	-	-
20	2.98	3.38	4.18	5.13	6.22	7.39	-	-	-
30	2.14	2.41	2.96	3.65	4.47	5.43	6.49	7.61	-
40	1.56	1.73	2.09	2.56	3.14	3.84	4.66	5.59	-
45	-	-	1.76	2.14	2.61	3.20	3.90	4.71	-
50	-	-	-	1.79	2.17	2.65	3.24	3.93	-
55	-	-	-	-	1.80	2.19	2.68	3.26	-
60	-	-	-	-	-	-	-	-	-

Nominal performance at to = -10 °C, tc = 45 °C

Cooling capacity	6 835	W
Power input	3 196	W
Current consumption	5.79	A
Mass flow	156	kg/h
C.O.P.	2.14	

Pressure switch settings

Maximum HP switch setting	29.7	bar(g)
Minimum LP switch setting	1.4	bar(g)
LP pump down setting	2	bar(g)

Sound power data

Sound power level	69	dB(A)
With acoustic hood	61	dB(A)

to: Evaporating temperature at dew point

tc: Condensing temperature at dew point

Rating conditions : Superheat = 10 K , Subcooling = 0 K

All performance data +/- 5%

Danfoss can accept no responsibility for possible errors in catalogues, brochures and other printed material. Danfoss reserves the right to alter its products without notice. This also applies to products already on order provided that such alternations can be made without subsequential changes being necessary in specifications already agreed. All trademarks in this material are property of the respective companies. Danfoss and the Danfoss logotype are trademarks of Danfoss A/S. All rights reserved.

Performance data at 50 Hz, ARI rating conditions
R407F

Cond. temp. in °C (tc)	Evaporating temperature in °C (to)							
	-23	-20	-15	-10	-5	0	5	10

Cooling capacity in W

10	6 161	7 064	8 811	10 891	-	-	-	-	-
20	5 543	6 368	7 970	9 885	12 147	14 789	-	-	-
30	4 972	5 708	7 147	8 882	10 944	13 369	16 190	19 439	-
40	-	5 100	6 360	7 896	9 743	11 934	14 504	17 485	-
45	-	-	5 985	7 416	9 149	11 218	13 656	16 497	-
50	-	-	-	6 949	8 563	10 506	12 809	15 508	-
55	-	-	-	-	-	9 804	11 970	14 524	-
60	-	-	-	-	-	-	-	-	-

Power input in W

10	1 396	1 410	1 434	1 471	-	-	-	-	-
20	1 750	1 772	1 796	1 815	1 842	1 889	-	-	-
30	2 166	2 209	2 255	2 278	2 292	2 308	2 340	2 400	-
40	-	2 723	2 811	2 860	2 882	2 890	2 895	2 911	-
45	-	-	3 126	3 196	3 230	3 241	3 242	3 244	-
50	-	-	-	3 561	3 613	3 633	3 634	3 628	-
55	-	-	-	-	-	4 065	4 072	4 064	-
60	-	-	-	-	-	-	-	-	-

Current consumption in A

10	2.54	2.54	2.50	2.44	-	-	-	-	-
20	3.62	3.66	3.69	3.69	3.68	3.67	-	-	-
30	4.35	4.42	4.49	4.52	4.53	4.54	4.58	4.66	-
40	-	5.17	5.26	5.30	5.31	5.32	5.35	5.41	-
45	-	-	5.75	5.79	5.80	5.79	5.81	5.85	-
50	-	-	-	6.41	6.40	6.39	6.38	6.40	-
55	-	-	-	-	-	7.14	7.11	7.10	-
60	-	-	-	-	-	-	-	-	-

Mass flow in kg/h

10	101	115	142	174	-	-	-	-	-
20	98	112	138	169	205	246	-	-	-
30	95	108	133	163	199	240	287	341	-
40	-	105	129	158	192	233	279	332	-
45	-	-	127	156	189	229	275	328	-
50	-	-	-	153	186	225	270	323	-
55	-	-	-	-	-	221	266	318	-
60	-	-	-	-	-	-	-	-	-

Coefficient of performance (C.O.P.)

10	4.41	5.01	6.14	7.40	-	-	-	-	-
20	3.17	3.59	4.44	5.45	6.60	7.83	-	-	-
30	2.30	2.58	3.17	3.90	4.78	5.79	6.92	8.10	-
40	-	1.87	2.26	2.76	3.38	4.13	5.01	6.01	-
45	-	-	1.91	2.32	2.83	3.46	4.21	5.09	-
50	-	-	-	1.95	2.37	2.89	3.52	4.27	-
55	-	-	-	-	-	2.41	2.94	3.57	-
60	-	-	-	-	-	-	-	-	-

Nominal performance at to = -10 °C, tc = 45 °C

Cooling capacity	7 416	W
Power input	3 196	W
Current consumption	5.79	A
Mass flow	156	kg/h
C.O.P.	2.32	

Pressure switch settings

Maximum HP switch setting	29.7	bar(g)
Minimum LP switch setting	1.4	bar(g)
LP pump down setting	2	bar(g)

Sound power data

Sound power level	69	dB(A)
With acoustic hood	61	dB(A)

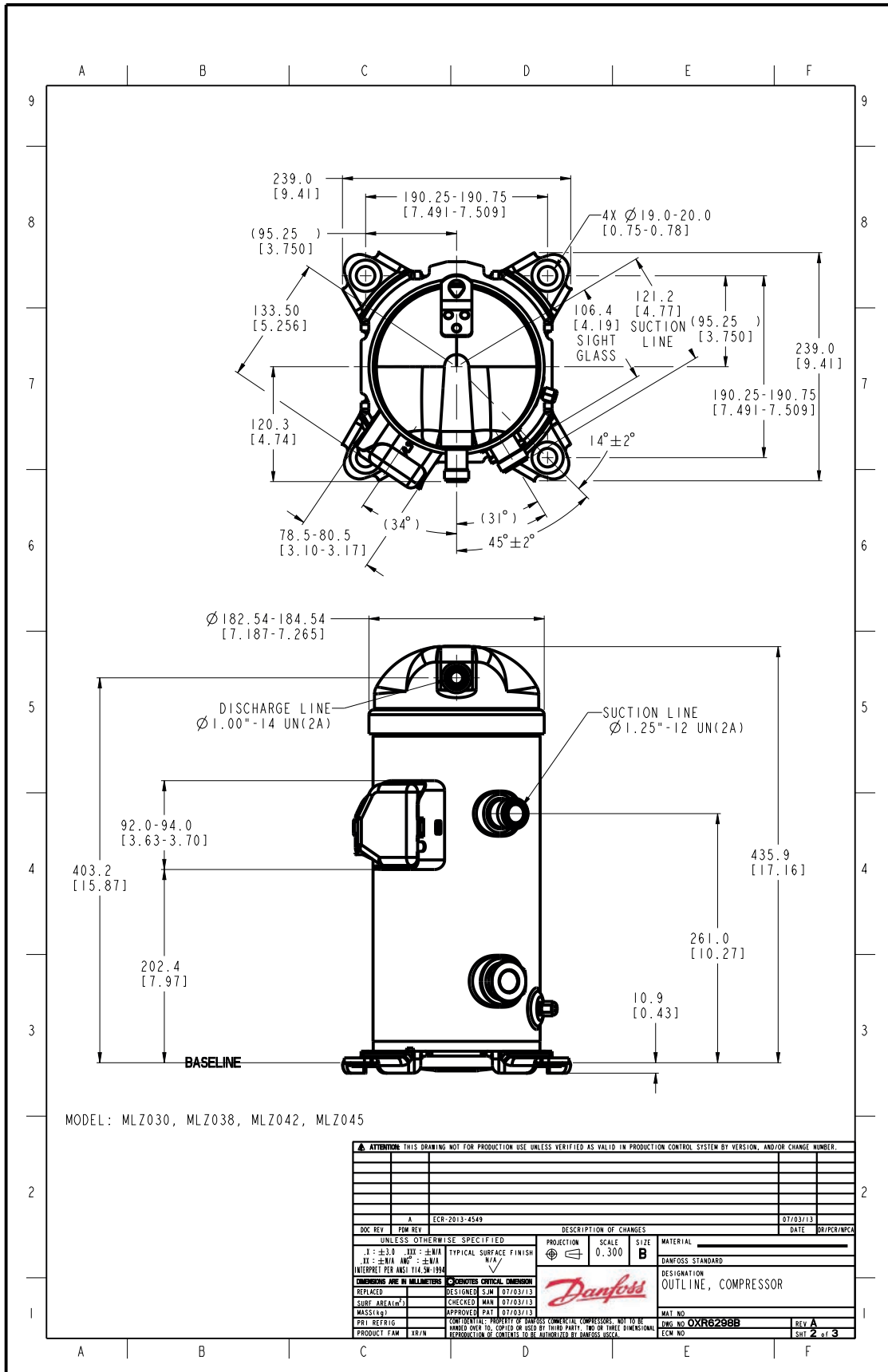
to: Evaporating temperature at dew point

tc: Condensing temperature at dew point

Rating conditions : Superheat = 11.1 K , Subcooling = 8.3 K

All performance data +/- 5%

Danfoss can accept no responsibility for possible errors in catalogues, brochures and other printed material. Danfoss reserves the right to alter its products without notice. This also applies to products already on order provided that such alternations can be made without subsequential changes being necessary in specifications already agreed. All trademarks in this material are property of the respective companies. Danfoss and the Danfoss logotype are trademarks of Danfoss A/S. All rights reserved.



Danfoss can accept no responsibility for possible errors in catalogues, brochures and other printed material. Danfoss reserves the right to alter its products without notice. This also applies to products already on order provided that such alternations can be made without consequential changes being necessary in specifications already agreed. All trademarks in this material are property of the respective companies. Danfoss, the Danfoss logotype and Maneurop are trademarks of Danfoss A/S. All rights reserved.