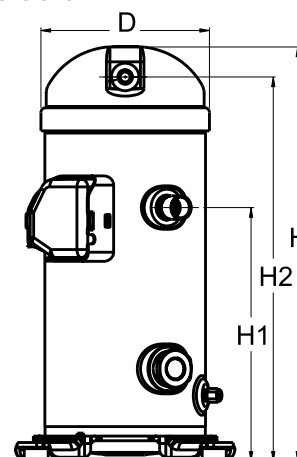


General Characteristics

Model number (on compressor nameplate)	MLZ030T5LC9	MLZ030T5LC9
Code number for Singlepack*	121U8032	120U8032
Code number for Industrial pack**	121U8031	120U8031
Drawing number	0XR6025B-2	0XR6025B-2
Suction and discharge connections	Brazed	Brazed
Suction connection	7/8" ODF	7/8" ODF
Discharge connection	1/2" ODF	1/2" ODF
Oil sight glass	Threaded	Threaded
Oil equalisation connection	None	None
Oil drain connection	1/4" flare	1/4" flare
LP gauge port	None	None
IPR valve	32 bar	32 bar
Swept volume	68,79 cm ³ /rev	
Displacement @ Nominal speed	12.0 m ³ /h @ 2900 rpm	
Net weight	41 kg	
Oil charge	1,57 litre, PVE --	
Maximum system test pressure Low Side / High side	- bar(g) / - bar(g)	
Maximum differential test pressure	- bar	
Maximum number of starts per hour	12	
Refrigerant charge limit	5,44 kg	
Approved refrigerants	R404A, R507, R134a, R407A, R407C, R407F, R22	

Dimensions


D=184 mm

H=455 mm

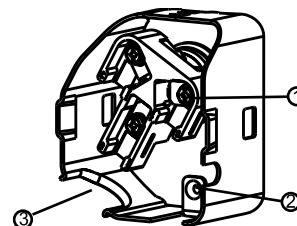
H1=280 mm

H2=422 mm

H3=- mm

Electrical Characteristics

Nominal voltage	230V/1/50Hz
Voltage range	207-253 V
Winding resistance (main / start) at 25°C	0,42 Ω / 1,309 Ω
Run capacitors A + C	50 μF + - μF
Start capacitor B	161-193 μF
Start relay	RVA3EKL
Rated Load Amps (RLA)	20.5 A
Maximum Continuous Current (MCC)	32 A
Locked Rotor Amps (LRA)	127 A
Motor protection	Internal overload protector

Terminal box


IP22

1: Screw connectors 10-32 UNF x 9.5

2: Earth connection

3: Power cable passage

Recommended Installation torques

Suction Rotolock nut or valve	0 Nm
Discharge Rotolock nut or valve	0 Nm
Oil sight glass	52,5 Nm
Power connections / Earth connection	3 Nm / 2 Nm

Parts shipped with compressor

Mounting kit with grommets and sleeves
Initial oil charge
Installation instructions

Approvals : CE certified, -, -

*Singlepack: Compressor in cardboard box. 121U... optimised for Danfoss pallet, 120U... optimised for US pallet

**Industrial pack: 121U...: 12 unboxed compressors on Danfoss pallet. 120U...: 16 unboxed compressors on US pallet

Rotolock accessories, suction side

Code no.

Rotolock valve, V05 (1-1/4" Rotolock, 7/8" ODF)	8168030
Gasket, 1-1/4"	8156131

Rotolock accessories, discharge side

Code no.

Solder sleeve, P06 (1" Rotolock, 1/2" ODF)	8153007
Angle adapter, C06 (1" Rotolock, 1/2" ODF)	8168007
Rotolock valve, V06 (1" Rotolock, 1/2" ODF)	8168031
Gasket, 1"	8156130

Rotolock accessories, sets

Code no.

Solder sleeve adapter set (1-1/4" Rotolock, 7/8" ODF), (1" Rotolock, 1/2" ODF)	120Z0127
Gasket set, 1", 1-1/4", 1-3/4", OSG gaskets black & white	8156009

Oil / lubricants

Code no.

PVE lubricant, 320HV (FVC68D), 1 litre can	120Z5034
--	----------

Crankcase heaters

Code no.

Belt type crankcase heater, 70 W, 230 V, UL	120Z5011
Belt type crankcase heater, 65 W, 230 V, CE mark, UL	120Z0059
Belt type crankcase heater, 70 W, 575 V, UL	120Z5013

Miscellaneous accessories

Code no.

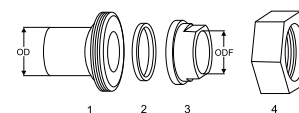
Acoustic hood	120Z5044
Discharge thermostat kit	7750009

Spare parts

Code no.

Mounting kit for 1 scroll compressor including 4 grommets, 4 sleeves, 4 bolts, 4 washers	120Z5005
--	----------

Solder sleeve adapter set



- 1: Rotolock adapter (Suc & Dis)
- 2: Gasket (Suc & Dis)
- 3: Solder sleeve (Suc & Dis)
- 4: Rotolock nut (Suc & Dis)

Performance data at 50 Hz, EN 12900 rating conditions, Superheat = 10 K
R134a

Cond. temp. in °C (tc)	Evaporating temperature in °C (to)							
	-15	-10	-5	0	5	10	15	

Cooling capacity in W

22	4 094	5 167	6 471	7 964	9 608	-	-	-	-
30	3 860	4 815	6 028	7 457	9 064	10 807	-	-	-
40	3 576	4 350	5 415	6 731	8 258	9 955	11 782	-	-
50	-	3 883	4 764	5 929	7 339	8 953	10 730	-	-
60	-	-	4 101	5 079	6 335	7 828	9 518	-	-
70	-	-	-	4 209	5 273	6 608	8 175	-	-
73	-	-	-	3 948	4 948	6 228	7 750	-	-

Power input in W

22	1 449	1 458	1 499	1 560	1 631	-	-	-	-
30	1 690	1 683	1 708	1 754	1 811	1 866	-	-	-
40	2 035	2 018	2 033	2 070	2 118	2 165	2 202	-	-
50	-	2 412	2 428	2 467	2 517	2 568	2 608	-	-
60	-	-	2 895	2 946	3 010	3 075	3 129	-	-
70	-	-	-	3 509	3 597	3 686	3 767	-	-
73	-	-	-	3 694	3 791	3 890	3 980	-	-

Current consumption in A

22	7.75	7.80	8.01	8.34	8.72	-	-	-	-
30	9.04	9.00	9.13	9.38	9.68	9.98	-	-	-
40	10.88	10.79	10.87	11.07	11.33	11.58	11.77	-	-
50	-	12.90	12.98	13.19	13.46	13.73	13.95	-	-
60	-	-	15.48	15.76	16.10	16.44	16.74	-	-
70	-	-	-	18.76	19.23	19.71	20.14	-	-
73	-	-	-	19.75	20.27	20.80	21.29	-	-

Mass flow in kg/h

22	95	112	134	161	191	-	-	-	-
30	94	111	134	162	193	227	-	-	-
40	93	109	132	161	193	228	265	-	-
50	-	106	129	158	191	227	266	-	-
60	-	-	125	154	187	225	265	-	-
70	-	-	-	148	183	221	263	-	-
73	-	-	-	147	181	220	262	-	-

Coefficient of performance (C.O.P.)

22	2.83	3.54	4.32	5.11	5.89	-	-	-	-
30	2.28	2.86	3.53	4.25	5.01	5.79	-	-	-
40	1.76	2.16	2.66	3.25	3.90	4.60	5.35	-	-
50	-	1.61	1.96	2.40	2.92	3.49	4.11	-	-
60	-	-	1.42	1.72	2.10	2.55	3.04	-	-
70	-	-	-	1.20	1.47	1.79	2.17	-	-
73	-	-	-	1.07	1.31	1.60	1.95	-	-

Nominal performance at to = -10 °C, tc = 45 °C

Cooling capacity	4 115	W
Power input	2 207	W
Current consumption	11.80	A
Mass flow	108	kg/h
C.O.P.	1.86	

Pressure switch settings

Maximum HP switch setting	23.6	bar(g)
Minimum LP switch setting	0.45	bar(g)
LP pump down setting	0.85	bar(g)

Sound power data

Sound power level	69	dB(A)
With acoustic hood	61	dB(A)

to: Evaporating temperature at dew point

tc: Condensing temperature at dew point

Rating conditions : Superheat = 10 K , Subcooling = 0 K

All performance data +/- 5%

Performance data at 50 Hz, EN 12900 rating conditions, Suction temp. = 20 °C
R134a

Cond. temp. in °C (tc)	Evaporating temperature in °C (to)							
	-15	-10	-5	0	5	10	15	

Cooling capacity in W

22	4 160	5 228	6 521	7 999	9 624	-	-	-	-
30	-	4 904	6 105	7 515	9 094	10 807	-	-	-
40	-	-	5 526	6 818	8 307	9 955	11 727	-	-
50	-	-	4 908	6 044	7 406	8 953	10 645	-	-
60	-	-	-	5 221	6 420	7 828	-	-	-
70	-	-	-	-	5 375	6 608	-	-	-
73	-	-	-	-	5 054	6 228	-	-	-

Power input in W

22	1 449	1 458	1 499	1 560	1 631	-	-	-	-
30	-	1 683	1 708	1 754	1 811	1 866	-	-	-
40	-	-	2 033	2 070	2 118	2 165	2 202	-	-
50	-	-	2 428	2 467	2 517	2 568	2 608	-	-
60	-	-	-	2 946	3 010	3 075	-	-	-
70	-	-	-	-	3 597	3 686	-	-	-
73	-	-	-	-	3 791	3 890	-	-	-

Current consumption in A

22	7.75	7.80	8.01	8.34	8.72	-	-	-	-
30	-	9.00	9.13	9.38	9.68	9.98	-	-	-
40	-	-	10.87	11.07	11.33	11.58	11.77	-	-
50	-	-	12.98	13.19	13.46	13.73	13.95	-	-
60	-	-	-	15.76	16.10	16.44	-	-	-
70	-	-	-	-	19.23	19.71	-	-	-
73	-	-	-	-	20.27	20.80	-	-	-

Mass flow in kg/h

22	85	102	125	154	187	-	-	-	-
30	-	102	125	154	188	227	-	-	-
40	-	-	124	153	188	228	272	-	-
50	-	-	121	151	186	227	273	-	-
60	-	-	-	147	183	225	-	-	-
70	-	-	-	-	179	221	-	-	-
73	-	-	-	-	177	220	-	-	-

Coefficient of performance (C.O.P.)

22	2.87	3.59	4.35	5.13	5.90	-	-	-	-
30	-	2.91	3.57	4.28	5.02	5.79	-	-	-
40	-	-	2.72	3.29	3.92	4.60	5.33	-	-
50	-	-	2.02	2.45	2.94	3.49	4.08	-	-
60	-	-	-	1.77	2.13	2.55	-	-	-
70	-	-	-	-	1.49	1.79	-	-	-
73	-	-	-	-	1.33	1.60	-	-	-

Nominal performance at to = -10 °C, tc = 45 °C

Cooling capacity	-	W
Power input	-	W
Current consumption	-	A
Mass flow	-	kg/h
C.O.P.	-	

to: Evaporating temperature at dew point

tc: Condensing temperature at dew point

Rating conditions : Suction gas temp. = 20 °C , Subcooling = 0 K

Pressure switch settings

Maximum HP switch setting	23.6	bar(g)
Minimum LP switch setting	0.45	bar(g)
LP pump down setting	0.85	bar(g)

Sound power data

Sound power level	69	dB(A)
With acoustic hood	61	dB(A)

All performance data +/- 5%

Performance data at 50 Hz, EN 12900 rating conditions, Suction temp. = 20 °C
R404A

Cond. temp. in °C (tc)	Evaporating temperature in °C (to)								
	-30	-25	-20	-15	-10	-5	0	5	10

Cooling capacity in W

10	4 954	6 073	7 423	9 027	10 909	-	-	-	-
20	4 405	5 460	6 716	8 196	9 923	11 921	14 212	-	-
30	3 839	4 814	5 960	7 299	8 854	10 650	12 709	15 054	17 708
40	-	4 131	5 149	6 330	7 697	9 274	11 083	13 148	15 492
50	-	-	4 277	5 284	6 446	7 787	9 330	11 098	13 114
60	-	-	-	-	5 095	6 183	7 443	8 898	10 570

Power input in W

10	1 503	1 530	1 554	1 574	1 593	-	-	-	-
20	1 872	1 903	1 929	1 952	1 971	1 989	2 006	-	-
30	2 355	2 385	2 409	2 429	2 445	2 459	2 471	2 482	2 493
40	-	3 019	3 037	3 049	3 057	3 062	3 064	3 065	3 065
50	-	-	3 856	3 856	3 852	3 843	3 831	3 817	3 801
60	-	-	-	-	4 872	4 845	4 814	4 780	4 744

Current consumption in A

10	11.52	11.49	11.49	11.51	11.52	-	-	-	-
20	12.25	12.28	12.36	12.45	12.54	12.61	12.62	-	-
30	13.46	13.49	13.58	13.70	13.82	13.92	13.98	13.97	13.87
40	-	15.44	15.49	15.57	15.67	15.75	15.80	15.79	15.70
50	-	-	18.42	18.41	18.42	18.44	18.42	18.36	18.22
60	-	-	-	-	22.42	22.30	22.17	21.99	21.76

Mass flow in kg/h

10	99	123	152	185	225	-	-	-	-
20	96	121	149	183	223	270	326	-	-
30	93	118	146	180	220	267	323	389	465
40	-	113	141	175	215	262	318	384	461
50	-	-	135	169	209	256	312	378	455
60	-	-	-	-	201	248	304	370	446

Coefficient of performance (C.O.P.)

10	3.30	3.97	4.78	5.73	6.85	-	-	-	-
20	2.35	2.87	3.48	4.20	5.03	5.99	7.08	-	-
30	1.63	2.02	2.47	3.01	3.62	4.33	5.14	6.07	7.10
40	-	1.37	1.70	2.08	2.52	3.03	3.62	4.29	5.05
50	-	-	1.11	1.37	1.67	2.03	2.44	2.91	3.45
60	-	-	-	-	1.05	1.28	1.55	1.86	2.23

Nominal performance at to = -10 °C, tc = 45 °C

Cooling capacity	7 083	W
Power input	3 429	W
Current consumption	16.91	A
Mass flow	212	kg/h
C.O.P.	2.07	


Pressure switch settings

Maximum HP switch setting	29.7	bar(g)
Minimum LP switch setting	1.4	bar(g)
LP pump down setting	2	bar(g)

Sound power data

Sound power level	69	dB(A)
With acoustic hood	61	dB(A)

to: Evaporating temperature at dew point

tc: Condensing temperature at dew point

Rating conditions : Suction gas temp. = 20 °C , Subcooling = 0 K

All performance data +/- 5%

Performance data at 50 Hz, EN 12900 rating conditions, Superheat = 10 K
R404A

Cond. temp. in °C (tc)	Evaporating temperature in °C (to)								
	-30	-25	-20	-15	-10	-5	0	5	10

Cooling capacity in W

10	4 761	5 877	7 233	8 853	10 763	-	-	-	-
20	4 142	5 185	6 439	7 930	9 684	11 726	14 077	-	-
30	3 511	4 463	5 597	6 940	8 521	10 365	12 498	14 940	17 708
40	2 865	3 706	4 702	5 881	7 271	8 899	10 796	12 985	15 492
50	-	-	3 752	4 748	5 928	7 323	8 964	10 885	13 114
60	-	-	-	-	4 484	5 626	6 994	8 628	10 570

Power input in W

10	1 503	1 530	1 554	1 574	1 593	-	-	-	-
20	1 872	1 903	1 929	1 952	1 971	1 989	2 006	-	-
30	2 355	2 385	2 409	2 429	2 445	2 459	2 471	2 482	2 493
40	2 996	3 019	3 037	3 049	3 057	3 062	3 064	3 065	3 065
50	-	-	3 856	3 856	3 852	3 843	3 831	3 817	3 801
60	-	-	-	-	4 872	4 845	4 814	4 780	4 744

Current consumption in A

10	11.52	11.49	11.49	11.51	11.52	-	-	-	-
20	12.25	12.28	12.36	12.45	12.54	12.61	12.62	-	-
30	13.46	13.49	13.58	13.70	13.82	13.92	13.98	13.97	13.87
40	15.46	15.44	15.49	15.57	15.67	15.75	15.80	15.79	15.70
50	-	-	18.42	18.41	18.42	18.44	18.42	18.36	18.22
60	-	-	-	-	22.42	22.30	22.17	21.99	21.76

Mass flow in kg/h

10	118	144	174	208	248	-	-	-	-
20	115	141	172	206	246	292	344	-	-
30	111	138	168	202	242	288	341	400	465
40	106	132	162	197	237	283	336	396	461
50	-	-	155	190	230	277	330	389	455
60	-	-	-	-	221	268	321	380	446

Coefficient of performance (C.O.P.)

10	3.17	3.84	4.66	5.62	6.76	-	-	-	-
20	2.21	2.72	3.34	4.06	4.91	5.89	7.02	-	-
30	1.49	1.87	2.32	2.86	3.49	4.22	5.06	6.02	7.10
40	0.96	1.23	1.55	1.93	2.38	2.91	3.52	4.24	5.05
50	-	-	0.97	1.23	1.54	1.91	2.34	2.85	3.45
60	-	-	-	-	0.92	1.16	1.45	1.81	2.23

Nominal performance at to = -10 °C, tc = 45 °C

Cooling capacity	6 611	W
Power input	3 429	W
Current consumption	16.91	A
Mass flow	234	kg/h
C.O.P.	1.93	

to: Evaporating temperature at dew point

tc: Condensing temperature at dew point

Rating conditions : Superheat = 10 K , Subcooling = 0 K

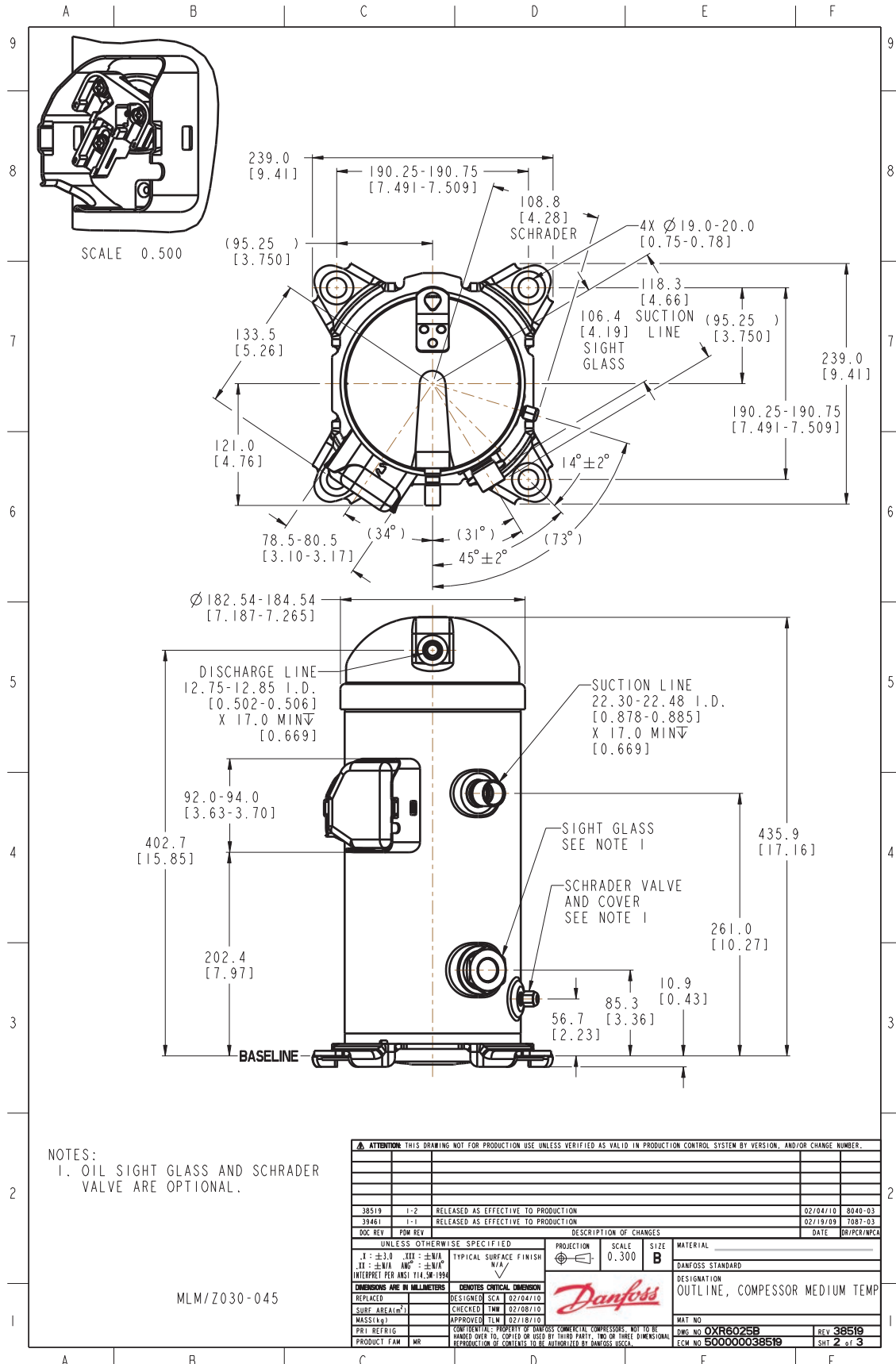
Pressure switch settings

Maximum HP switch setting	29.7	bar(g)
Minimum LP switch setting	1.4	bar(g)
LP pump down setting	2	bar(g)

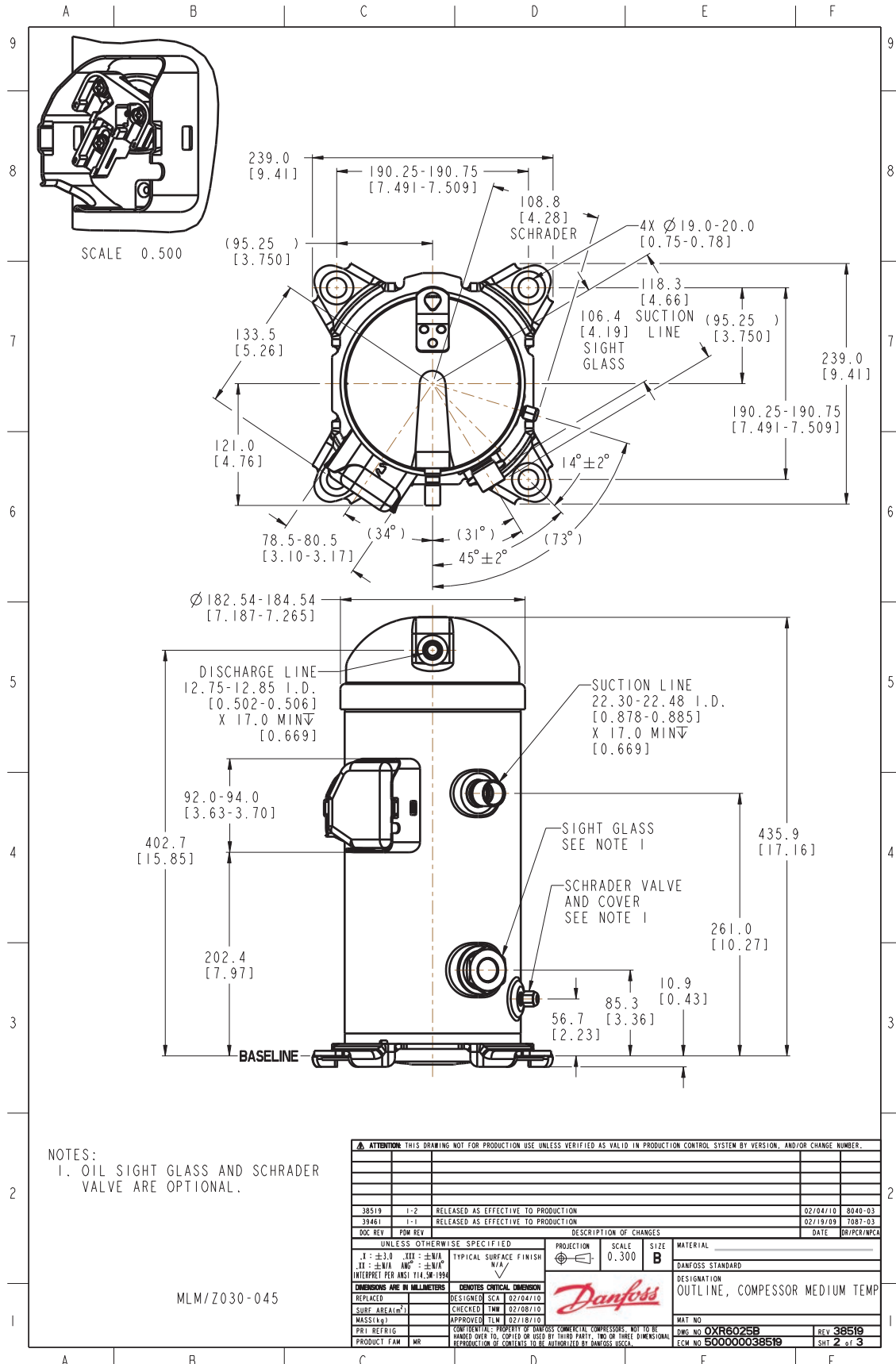
Sound power data

Sound power level	69	dB(A)
With accoustic hood	61	dB(A)

All performance data +/- 5%



Danfoss can accept no responsibility for possible errors in catalogues, brochures and other printed material. Danfoss reserves the right to alter its products without notice. This also applies to products already on order provided that such alternations can be made without consequential changes being necessary in specifications already agreed. All trademarks in this material are property of the respective companies. Danfoss, the Danfoss logotype and Maneurop are trademarks of Danfoss A/S. All rights reserved.



Danfoss can accept no responsibility for possible errors in catalogues, brochures and other printed material. Danfoss reserves the right to alter its products without notice. This also applies to products already on order provided that such alternations can be made without consequential changes being necessary in specifications already agreed. All trademarks in this material are property of the respective companies. Danfoss, the Danfoss logotype and Maneurop are trademarks of Danfoss A/S. All rights reserved.