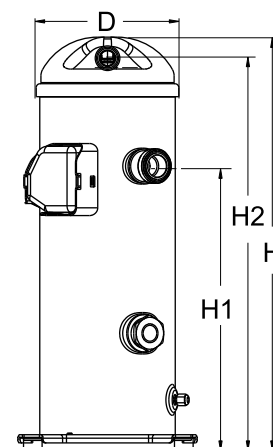


General Characteristics

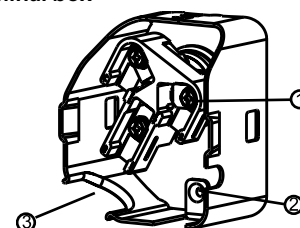
Model number (on compressor nameplate)		MLZ038T4LQ9
Code number for Singlepack*		121U8575
Code number for Industrial pack**		121U8574
Drawing number		0XR6298B-2
Suction and discharge connections		Rotolock
Suction connection		1-1/4 " Rotolock
Discharge connection		1 " Rotolock
Suction connection with supplied sleeve		7/8 " -
Discharge connection with supplied sleeve	- "	1/2 " -
Oil sight glass		Threaded
Oil equalisation connection		None
Oil drain connection		None
LP gauge port		None
IPR valve		None
Swept volume		80,95 cm ³ /rev
Displacement @ Nominal speed		14.1 m ³ /h @ 2900 rpm - 17.0 m ³ /h @ 3500 rpm
Net weight		41 kg
Oil charge		1,57 litre, PVE - -
Maximum system test pressure Low Side / High side		- bar(g) / - bar(g)
Maximum differential test pressure		- bar
Maximum number of starts per hour		12
Refrigerant charge limit		5,44 kg
Approved refrigerants		R404A, R507, R134a, R407A, R407C, R407F, R22

Dimensions


D=184 mm
H=454,9 mm
H1=280 mm
H2=422,2 mm
H3=- mm

Electrical Characteristics

Nominal voltage	380-400V/3/50Hz - 460V/3/60Hz
Voltage range	340-460 V @ 50Hz - 414-506 V @ 60Hz
Winding resistance between phases 1-2 +/- 7% at 25°C	2.316 Ω
Winding resistance between phases 1-3 +/- 7% at 25°C	2.332 Ω
Winding resistance between phases 2-3 +/- 7% at 25°C	2.364 Ω
Rated Load Amps (RLA)	9.6 A
Maximum Continuous Current (MCC)	15 A
Locked Rotor Amps (LRA)	70 A
Motor protection	Internal overload protector

Terminal box


IP22

- 1: Screw connectors 10-32 UNF x 9.5
- 2: Earth connection
- 3: Power cable passage

Recommended Installation torques

Oil sight glass	52,5 Nm
Power connections / Earth connection	3 Nm / 2 Nm

Parts shipped with compressor

Mounting kit with grommets and sleeves
Initial oil charge
Installation instructions

Approvals : CE certified, UL certified (file SA11565), -

*Singlepack: Compressor in cardboard box. 121U... optimised for Danfoss pallet, 120U... optimised for US pallet

**Industrial pack: 121U...: 12 unboxed compressors on Danfoss pallet. 120U...: 16 unboxed compressors on US pallet

Rotolock accessories, suction side
Code no.

Rotolock valve, V05 (1-1/4" Rotolock, 7/8" ODF)	8168030
Gasket, 1-1/4"	8156131

Rotolock accessories, discharge side
Code no.

Angle adapter, C01 (1" Rotolock, 3/8" ODF)	8168004
Rotolock valve, V06 (1" Rotolock, 1/2" ODF)	8168031
Gasket, 1"	8156130

Rotolock accessories, sets
Code no.

Teflon seals, sleeves, nuts for discharge and suction (1" and 1"1/4)	120Z5074
Gasket set, 1", 1-1/4", 1-3/4", OSG gaskets black & white	8156009

Oil / lubricants
Code no.

PVE lubricant, 320HV (FVC68D), 1 litre can	120Z5034
--	----------

Crankcase heaters
Code no.

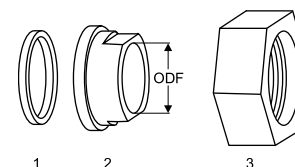
Belt type crankcase heater, 70 W, 230 V, UL	120Z5011
Belt type crankcase heater, 65 W, 230 V, CE mark, UL	120Z0059
Belt type crankcase heater, 65 W, 400 V, CE mark, UL	120Z0060
Belt type crankcase heater, 70 W, 460 V, UL	120Z5012

Miscellaneous accessories
Code no.

Acoustic hood	120Z5044
Discharge thermostat kit	7750009

Spare parts
Code no.

Mounting kit for 1 scroll compressor including 4 grommets, 4 sleeves, 4 bolts, 4 washers	120Z5005
--	----------

Gaskets, sleeves and nuts


- 1: Gasket
- 2: Solder sleeve
- 3: Rotolock nut

Performance data at 50 Hz, EN 12900 rating conditions, Superheat = 10 K
R22

Cond. temp. in °C (tc)	Evaporating temperature in °C (to)							
	-20	-15	-10	-5	0	5	10	

Cooling capacity in W

16	6 507	8 303	10 418	12 824	-	-	-	-	-
20	6 334	8 054	10 086	12 404	14 978	-	-	-	-
30	5 913	7 462	9 306	11 421	13 778	16 348	19 097	-	-
40	5 421	6 826	8 509	10 446	12 613	14 981	17 520	-	-
50	-	6 040	7 587	9 373	11 376	13 568	15 923	-	-
60	-	-	-	8 095	9 958	12 000	14 198	-	-
68	-	-	-	-	-	10 563	12 653	-	-

Power input in W

16	1 600	1 694	1 809	1 937	-	-	-	-	-
20	1 843	1 930	2 036	2 152	2 271	-	-	-	-
30	2 400	2 478	2 569	2 664	2 757	2 840	2 905	-	-
40	2 956	3 039	3 127	3 215	3 294	3 358	3 399	-	-
50	-	3 702	3 802	3 896	3 975	4 034	4 063	-	-
60	-	-	-	4 797	4 890	4 956	4 987	-	-
68	-	-	-	-	-	5 933	5 975	-	-

Current consumption in A

16	3.08	3.26	3.48	3.73	-	-	-	-	-
20	3.55	3.71	3.92	4.14	4.37	-	-	-	-
30	4.62	4.77	4.94	5.13	5.30	5.46	5.59	-	-
40	5.69	5.85	6.02	6.19	6.34	6.46	6.54	-	-
50	-	7.12	7.32	7.50	7.65	7.76	7.82	-	-
60	-	-	-	9.23	9.41	9.54	9.60	-	-
68	-	-	-	-	-	11.42	11.50	-	-

Mass flow in kg/h

16	107	146	191	240	-	-	-	-	-
20	112	149	193	241	291	-	-	-	-
30	121	155	196	242	290	339	387	-	-
40	123	155	194	238	286	336	384	-	-
50	-	145	184	228	277	327	377	-	-
60	-	-	-	208	259	311	364	-	-
68	-	-	-	-	-	291	347	-	-

Coefficient of performance (C.O.P.)

16	4.07	4.90	5.76	6.62	-	-	-	-	-
20	3.44	4.17	4.96	5.77	6.60	-	-	-	-
30	2.46	3.01	3.62	4.29	5.00	5.76	6.57	-	-
40	1.83	2.25	2.72	3.25	3.83	4.46	5.15	-	-
50	-	1.63	2.00	2.41	2.86	3.36	3.92	-	-
60	-	-	-	1.69	2.04	2.42	2.85	-	-
68	-	-	-	-	-	1.78	2.12	-	-

Nominal performance at to = -10 °C, tc = 45 °C

Cooling capacity	8 070	W
Power input	3 445	W
Current consumption	6.63	A
Mass flow	190	kg/h
C.O.P.	2.34	

Pressure switch settings

Maximum HP switch setting	29.8	bar(g)
Minimum LP switch setting	0.5	bar(g)
LP pump down setting	0.95	bar(g)

Sound power data

Sound power level	70	dB(A)
With acoustic hood	62	dB(A)

to: Evaporating temperature at dew point

tc: Condensing temperature at dew point

Rating conditions : Superheat = 10 K , Subcooling = 0 K

All performance data +/- 5%

Performance data at 50 Hz, EN 12900 rating conditions, Suction temp. = 20 °C
R22

Cond. temp. in °C (tc)	Evaporating temperature in °C (to)							
	-20	-15	-10	-5	0	5	10	

Cooling capacity in W

16	6 348	8 125	10 228	12 636	-	-	-	-	-
20	6 196	7 899	9 920	12 238	14 832	-	-	-	-
30	5 827	7 364	9 200	11 312	13 679	16 282	19 097	-	-
40	-	6 788	8 463	10 395	12 562	14 944	17 520	-	-
50	-	-	-	9 380	11 373	13 561	15 923	-	-
60	-	-	-	-	10 004	12 024	14 198	-	-
68	-	-	-	-	-	-	12 653	-	-

Power input in W

16	1 600	1 694	1 809	1 937	-	-	-	-	-
20	1 843	1 930	2 036	2 152	2 271	-	-	-	-
30	2 400	2 478	2 569	2 664	2 757	2 840	2 905	-	-
40	-	3 039	3 127	3 215	3 294	3 358	3 399	-	-
50	-	-	-	3 896	3 975	4 034	4 063	-	-
60	-	-	-	-	4 890	4 956	4 987	-	-
68	-	-	-	-	-	-	5 975	-	-

Current consumption in A

16	3.08	3.26	3.48	3.73	-	-	-	-	-
20	3.55	3.71	3.92	4.14	4.37	-	-	-	-
30	4.62	4.77	4.94	5.13	5.30	5.46	5.59	-	-
40	-	5.85	6.02	6.19	6.34	6.46	6.54	-	-
50	-	-	-	7.50	7.65	7.76	7.82	-	-
60	-	-	-	-	9.41	9.54	9.60	-	-
68	-	-	-	-	-	-	11.50	-	-

Mass flow in kg/h

16	94	131	175	224	-	-	-	-	-
20	99	134	177	225	277	-	-	-	-
30	107	139	179	226	277	331	387	-	-
40	-	139	177	223	273	327	384	-	-
50	-	-	-	213	264	319	377	-	-
60	-	-	-	-	247	304	364	-	-
68	-	-	-	-	-	-	347	-	-

Coefficient of performance (C.O.P.)

16	3.97	4.80	5.65	6.52	-	-	-	-	-
20	3.36	4.09	4.87	5.69	6.53	-	-	-	-
30	2.43	2.97	3.58	4.25	4.96	5.73	6.57	-	-
40	-	2.23	2.71	3.23	3.81	4.45	5.15	-	-
50	-	-	-	2.41	2.86	3.36	3.92	-	-
60	-	-	-	-	2.05	2.43	2.85	-	-
68	-	-	-	-	-	-	2.12	-	-

Nominal performance at to = -10 °C, tc = 45 °C

Cooling capacity	8 055	W
Power input	3 445	W
Current consumption	6.63	A
Mass flow	174	kg/h
C.O.P.	2.34	

Pressure switch settings

Maximum HP switch setting	29.8	bar(g)
Minimum LP switch setting	0.5	bar(g)
LP pump down setting	0.95	bar(g)

Sound power data

Sound power level	70	dB(A)
With acoustic hood	62	dB(A)

to: Evaporating temperature at dew point

tc: Condensing temperature at dew point

Rating conditions : Suction gas temp. = 20 °C , Subcooling = 0 K

All performance data +/- 5%

Performance data at 50 Hz, EN 12900 rating conditions, Superheat = 10 K
R134a

Cond. temp. in °C (tc)	Evaporating temperature in °C (to)							
	-15	-10	-5	0	5	10	15	

Cooling capacity in W

22	4 835	6 110	7 620	9 390	11 447	-	-	-	-
30	4 440	5 646	7 072	8 744	10 687	12 928	-	-	-
40	3 925	5 034	6 344	7 881	9 671	11 740	14 113	-	-
50	-	4 394	5 575	6 965	8 589	10 473	12 643	-	-
60	-	-	4 774	6 003	7 448	9 135	11 088	-	-
70	-	-	-	5 004	6 257	7 733	9 458	-	-
73	-	-	-	4 698	5 891	7 302	8 955	-	-

Power input in W

22	1 439	1 456	1 470	1 487	1 512	-	-	-	-
30	1 698	1 726	1 748	1 766	1 786	1 811	-	-	-
40	2 066	2 117	2 154	2 180	2 200	2 220	2 242	-	-
50	-	2 579	2 638	2 680	2 709	2 729	2 746	-	-
60	-	-	3 215	3 280	3 325	3 354	3 372	-	-
70	-	-	-	3 994	4 063	4 108	4 135	-	-
73	-	-	-	4 233	4 310	4 362	4 393	-	-

Current consumption in A

22	2.77	2.80	2.83	2.86	2.91	-	-	-	-
30	3.27	3.32	3.36	3.40	3.44	3.49	-	-	-
40	3.98	4.07	4.15	4.20	4.23	4.27	4.32	-	-
50	-	4.96	5.08	5.16	5.21	5.25	5.28	-	-
60	-	-	6.19	6.31	6.40	6.46	6.49	-	-
70	-	-	-	7.69	7.82	7.91	7.96	-	-
73	-	-	-	8.15	8.29	8.39	8.45	-	-

Mass flow in kg/h

22	104	128	157	191	228	-	-	-	-
30	103	127	156	190	228	271	-	-	-
40	102	126	155	188	227	270	319	-	-
50	-	124	152	185	224	268	317	-	-
60	-	-	148	181	220	263	312	-	-
70	-	-	-	176	214	257	306	-	-
73	-	-	-	174	211	255	303	-	-

Coefficient of performance (C.O.P.)

22	3.36	4.20	5.18	6.31	7.57	-	-	-	-
30	2.62	3.27	4.05	4.95	5.99	7.14	-	-	-
40	1.90	2.38	2.95	3.61	4.39	5.29	6.29	-	-
50	-	1.70	2.11	2.60	3.17	3.84	4.60	-	-
60	-	-	1.48	1.83	2.24	2.72	3.29	-	-
70	-	-	-	1.25	1.54	1.88	2.29	-	-
73	-	-	-	1.11	1.37	1.67	2.04	-	-

Nominal performance at to = -10 °C, tc = 45 °C

Cooling capacity	4 717	W
Power input	2 338	W
Current consumption	4.50	A
Mass flow	125	kg/h
C.O.P.	2.02	

Pressure switch settings

Maximum HP switch setting	23.6	bar(g)
Minimum LP switch setting	0.45	bar(g)
LP pump down setting	0.85	bar(g)

Sound power data

Sound power level	70	dB(A)
With acoustic hood	62	dB(A)

to: Evaporating temperature at dew point

tc: Condensing temperature at dew point

Rating conditions : Superheat = 10 K , Subcooling = 0 K

All performance data +/- 5%

Performance data at 50 Hz, EN 12900 rating conditions, Suction temp. = 20 °C
R134a

Cond. temp. in °C (tc)	Evaporating temperature in °C (to)							
	-15	-10	-5	0	5	10	15	

Cooling capacity in W

22	4 912	6 181	7 679	9 431	11 466	-	-	-	-
30	-	5 750	7 163	8 811	10 723	12 928	-	-	-
40	-	-	6 474	7 982	9 728	11 740	14 047	-	-
50	-	-	5 744	7 100	8 668	10 473	12 542	-	-
60	-	-	-	6 171	7 548	9 135	-	-	-
70	-	-	-	-	6 378	7 733	-	-	-
73	-	-	-	-	6 018	7 302	-	-	-

Power input in W

22	1 439	1 456	1 470	1 487	1 512	-	-	-	-
30	-	1 726	1 748	1 766	1 786	1 811	-	-	-
40	-	-	2 154	2 180	2 200	2 220	2 242	-	-
50	-	-	2 638	2 680	2 709	2 729	2 746	-	-
60	-	-	-	3 280	3 325	3 354	-	-	-
70	-	-	-	-	4 063	4 108	-	-	-
73	-	-	-	-	4 310	4 362	-	-	-

Current consumption in A

22	2.77	2.80	2.83	2.86	2.91	-	-	-	-
30	-	3.32	3.36	3.40	3.44	3.49	-	-	-
40	-	-	4.15	4.20	4.23	4.27	4.32	-	-
50	-	-	5.08	5.16	5.21	5.25	5.28	-	-
60	-	-	-	6.31	6.40	6.46	-	-	-
70	-	-	-	-	7.82	7.91	-	-	-
73	-	-	-	-	8.29	8.39	-	-	-

Mass flow in kg/h

22	94	118	147	182	223	-	-	-	-
30	-	117	146	181	223	271	-	-	-
40	-	-	145	180	221	270	327	-	-
50	-	-	142	177	219	268	325	-	-
60	-	-	-	173	215	263	-	-	-
70	-	-	-	-	209	257	-	-	-
73	-	-	-	-	206	255	-	-	-

Coefficient of performance (C.O.P.)

22	3.41	4.25	5.22	6.34	7.59	-	-	-	-
30	-	3.33	4.10	4.99	6.01	7.14	-	-	-
40	-	-	3.01	3.66	4.42	5.29	6.27	-	-
50	-	-	2.18	2.65	3.20	3.84	4.57	-	-
60	-	-	-	1.88	2.27	2.72	-	-	-
70	-	-	-	-	1.57	1.88	-	-	-
73	-	-	-	-	1.40	1.67	-	-	-

Nominal performance at to = -10 °C, tc = 45 °C

Cooling capacity	-	W
Power input	-	W
Current consumption	-	A
Mass flow	-	kg/h
C.O.P.	-	

to: Evaporating temperature at dew point

tc: Condensing temperature at dew point

Rating conditions : Suction gas temp. = 20 °C , Subcooling = 0 K

Pressure switch settings

Maximum HP switch setting	23.6	bar(g)
Minimum LP switch setting	0.45	bar(g)
LP pump down setting	0.85	bar(g)

Sound power data

Sound power level	70	dB(A)
With acoustic hood	62	dB(A)

All performance data +/- 5%

Performance data at 50 Hz, EN 12900 rating conditions, Suction temp. = 20 °C

R404A

Cond. temp. in °C (tc)	Evaporating temperature in °C (to)								
	-30	-25	-20	-15	-10	-5	0	5	10

Cooling capacity in W

10	5 776	7 017	8 524	10 324	12 443	-	-	-	-
20	5 296	6 504	7 944	9 641	11 624	13 917	16 547	-	-
30	4 692	5 831	7 166	8 725	10 535	12 620	15 009	17 727	20 801
40	-	5 020	6 215	7 600	9 200	11 041	13 152	15 557	18 284
50	-	-	5 115	6 288	7 643	9 204	11 000	13 056	15 400
60	-	-	-	-	5 888	7 133	8 578	10 249	12 172

Power input in W

10	1 671	1 694	1 729	1 780	1 847	-	-	-	-
20	2 113	2 120	2 137	2 166	2 209	2 269	2 348	-	-
30	2 698	2 691	2 691	2 700	2 721	2 756	2 807	2 876	2 968
40	-	3 446	3 431	3 422	3 422	3 433	3 457	3 497	3 556
50	-	-	4 394	4 369	4 349	4 338	4 337	4 350	4 378
60	-	-	-	-	5 542	5 511	5 487	5 473	5 472

Current consumption in A

10	3.59	3.59	3.60	3.61	3.63	-	-	-	-
20	4.26	4.28	4.30	4.33	4.36	4.41	4.47	-	-
30	4.99	5.00	5.02	5.04	5.07	5.11	5.17	5.25	5.35
40	-	5.95	5.95	5.95	5.96	5.97	6.01	6.06	6.13
50	-	-	7.28	7.24	7.20	7.18	7.17	7.18	7.22
60	-	-	-	-	9.01	8.93	8.86	8.81	8.79

Mass flow in kg/h

10	116	143	174	211	256	-	-	-	-
20	116	144	177	215	261	315	379	-	-
30	114	142	176	215	261	316	382	458	547
40	-	137	171	210	257	312	378	454	544
50	-	-	162	201	247	302	367	444	533
60	-	-	-	-	232	286	351	426	515

Coefficient of performance (C.O.P.)

10	3.46	4.14	4.93	5.80	6.74	-	-	-	-
20	2.51	3.07	3.72	4.45	5.26	6.13	7.05	-	-
30	1.74	2.17	2.66	3.23	3.87	4.58	5.35	6.16	7.01
40	-	1.46	1.81	2.22	2.69	3.22	3.80	4.45	5.14
50	-	-	1.16	1.44	1.76	2.12	2.54	3.00	3.52
60	-	-	-	-	1.06	1.29	1.56	1.87	2.22

Nominal performance at to = -10 °C, tc = 45 °C

Cooling capacity	8 447	W
Power input	3 855	W
Current consumption	6.52	A
Mass flow	253	kg/h
C.O.P.	2.19	



Pressure switch settings

Maximum HP switch setting	29.7	bar(g)
Minimum LP switch setting	1.4	bar(g)
LP pump down setting	2	bar(g)

Sound power data

Sound power level	70	dB(A)
With acoustic hood	62	dB(A)

to: Evaporating temperature at dew point

tc: Condensing temperature at dew point

Rating conditions : Suction gas temp. = 20 °C , Subcooling = 0 K

All performance data +/- 5%

Performance data at 50 Hz, EN 12900 rating conditions, Superheat = 10 K
R404A

Cond. temp. in °C (tc)	Evaporating temperature in °C (to)								
	-30	-25	-20	-15	-10	-5	0	5	10

Cooling capacity in W

10	5 550	6 791	8 306	10 125	12 276	-	-	-	-
20	4 981	6 177	7 616	9 328	11 343	13 689	16 390	-	-
30	4 292	5 405	6 730	8 297	10 138	12 283	14 760	17 594	20 801
40	3 513	4 504	5 676	7 061	8 690	10 596	12 811	15 365	18 284
50	-	-	4 487	5 651	7 029	8 656	10 570	12 805	15 400
60	-	-	-	-	5 181	6 490	8 060	9 938	12 172

Power input in W

10	1 671	1 694	1 729	1 780	1 847	-	-	-	-
20	2 113	2 120	2 137	2 166	2 209	2 269	2 348	-	-
30	2 698	2 691	2 691	2 700	2 721	2 756	2 807	2 876	2 968
40	3 464	3 446	3 431	3 422	3 422	3 433	3 457	3 497	3 556
50	-	-	4 394	4 369	4 349	4 338	4 337	4 350	4 378
60	-	-	-	-	5 542	5 511	5 487	5 473	5 472

Current consumption in A

10	3.59	3.59	3.60	3.61	3.63	-	-	-	-
20	4.26	4.28	4.30	4.33	4.36	4.41	4.47	-	-
30	4.99	5.00	5.02	5.04	5.07	5.11	5.17	5.25	5.35
40	5.95	5.95	5.95	5.95	5.96	5.97	6.01	6.06	6.13
50	-	-	7.28	7.24	7.20	7.18	7.17	7.18	7.22
60	-	-	-	-	9.01	8.93	8.86	8.81	8.79

Mass flow in kg/h

10	138	167	200	238	283	-	-	-	-
20	138	168	203	242	288	341	401	-	-
30	135	167	202	242	289	342	403	471	547
40	130	161	196	237	284	337	399	468	544
50	-	-	186	226	273	327	388	457	533
60	-	-	-	-	256	309	370	439	515

Coefficient of performance (C.O.P.)

10	3.32	4.01	4.80	5.69	6.65	-	-	-	-
20	2.36	2.91	3.56	4.31	5.14	6.03	6.98	-	-
30	1.59	2.01	2.50	3.07	3.73	4.46	5.26	6.12	7.01
40	1.01	1.31	1.65	2.06	2.54	3.09	3.71	4.39	5.14
50	-	-	1.02	1.29	1.62	2.00	2.44	2.94	3.52
60	-	-	-	-	0.93	1.18	1.47	1.82	2.22

Nominal performance at to = -10 °C, tc = 45 °C

Cooling capacity	7 884	W
Power input	3 855	W
Current consumption	6.52	A
Mass flow	279	kg/h
C.O.P.	2.05	

Pressure switch settings

Maximum HP switch setting	29.7	bar(g)
Minimum LP switch setting	1.4	bar(g)
LP pump down setting	2	bar(g)

Sound power data

Sound power level	70	dB(A)
With acoustic hood	62	dB(A)

to: Evaporating temperature at dew point

tc: Condensing temperature at dew point

Rating conditions : Superheat = 10 K , Subcooling = 0 K

All performance data +/- 5%

Performance data at 50 Hz, EN 12900 rating conditions
R407F

Cond. temp. in °C (tc)	Evaporating temperature in °C (to)							
	-23	-20	-15	-10	-5	0	5	10

Cooling capacity in W

10	6 750	7 743	9 666	11 955	-	-	-	-	-
20	6 037	6 939	8 692	10 790	13 269	16 168	-	-	-
30	5 374	6 173	7 738	9 625	11 872	14 515	17 592	21 140	-
40	4 777	5 463	6 820	8 478	10 473	12 842	15 623	18 852	-
45	-	-	6 380	7 915	9 777	12 002	14 628	17 691	-
50	-	-	-	7 363	9 087	11 164	13 630	16 522	-
55	-	-	-	-	8 405	10 328	12 629	15 346	-
60	-	-	-	-	-	-	-	-	-

Power input in W

10	1 623	1 639	1 668	1 711	-	-	-	-	-
20	2 035	2 060	2 088	2 110	2 142	2 197	-	-	-
30	2 519	2 570	2 622	2 649	2 665	2 684	2 721	2 791	-
40	3 076	3 166	3 270	3 326	3 352	3 360	3 367	3 386	-
45	-	-	3 635	3 717	3 756	3 769	3 770	3 773	-
50	-	-	-	4 141	4 202	4 225	4 226	4 220	-
55	-	-	-	-	4 687	4 728	4 736	4 726	-
60	-	-	-	-	-	-	-	-	-

Current consumption in A

10	2.75	2.75	2.71	2.65	-	-	-	-	-
20	3.93	3.97	4.00	4.00	3.99	3.98	-	-	-
30	4.72	4.79	4.87	4.90	4.91	4.92	4.96	5.05	-
40	5.52	5.61	5.70	5.74	5.76	5.77	5.80	5.87	-
45	-	-	6.24	6.28	6.28	6.28	6.30	6.35	-
50	-	-	-	6.95	6.94	6.92	6.92	6.94	-
55	-	-	-	-	7.78	7.74	7.71	7.70	-
60	-	-	-	-	-	-	-	-	-

Mass flow in kg/h

10	118	134	166	202	-	-	-	-	-
20	114	130	160	197	239	287	-	-	-
30	110	126	155	190	231	279	335	398	-
40	108	122	150	184	224	271	325	388	-
45	-	-	148	181	220	267	320	382	-
50	-	-	-	179	217	262	315	376	-
55	-	-	-	-	214	258	310	371	-
60	-	-	-	-	-	-	-	-	-

Coefficient of performance (C.O.P.)

10	4.16	4.72	5.80	6.99	-	-	-	-	-
20	2.97	3.37	4.16	5.11	6.20	7.36	-	-	-
30	2.13	2.40	2.95	3.63	4.45	5.41	6.46	7.57	-
40	1.55	1.73	2.09	2.55	3.12	3.82	4.64	5.57	-
45	-	-	1.75	2.13	2.60	3.18	3.88	4.69	-
50	-	-	-	1.78	2.16	2.64	3.23	3.92	-
55	-	-	-	-	1.79	2.18	2.67	3.25	-
60	-	-	-	-	-	-	-	-	-

Nominal performance at to = -10 °C, tc = 45 °C

Cooling capacity	7 915	W
Power input	3 717	W
Current consumption	6.28	A
Mass flow	181	kg/h
C.O.P.	2.13	

Pressure switch settings

Maximum HP switch setting	29.7	bar(g)
Minimum LP switch setting	1.4	bar(g)
LP pump down setting	2	bar(g)

Sound power data

Sound power level	70	dB(A)
With acoustic hood	62	dB(A)

to: Evaporating temperature at dew point

tc: Condensing temperature at dew point

Rating conditions : Superheat = 10 K , Subcooling = 0 K

All performance data +/- 5%

Danfoss can accept no responsibility for possible errors in catalogues, brochures and other printed material. Danfoss reserves the right to alter its products without notice. This also applies to products already on order provided that such alternations can be made without subsequential changes being necessary in specifications already agreed. All trademarks in this material are property of the respective companies. Danfoss and the Danfoss logotype are trademarks of Danfoss A/S. All rights reserved.

Performance data at 50 Hz, ARI rating conditions

R407F

Cond. temp. in °C (tc)	Evaporating temperature in °C (to)							
	-23	-20	-15	-10	-5	0	5	10

Cooling capacity in W

10	7 134	8 180	10 204	12 612	-	-	-	-	-
20	6 419	7 374	9 229	11 447	14 067	17 127	-	-	-
30	5 757	6 610	8 277	10 285	12 674	15 482	18 748	22 511	-
40	-	5 906	7 365	9 144	11 283	13 820	16 796	20 248	-
45	-	-	6 931	8 588	10 595	12 990	15 814	19 105	-
50	-	-	-	8 047	9 917	12 166	14 834	17 959	-
55	-	-	-	-	-	11 353	13 861	16 819	-
60	-	-	-	-	-	-	-	-	-

Power input in W

10	1 623	1 639	1 668	1 711	-	-	-	-	-
20	2 035	2 060	2 088	2 110	2 142	2 197	-	-	-
30	2 519	2 570	2 622	2 649	2 665	2 684	2 721	2 791	-
40	-	3 166	3 270	3 326	3 352	3 360	3 367	3 386	-
45	-	-	3 635	3 717	3 756	3 769	3 770	3 773	-
50	-	-	-	4 141	4 202	4 225	4 226	4 220	-
55	-	-	-	-	-	4 728	4 736	4 726	-
60	-	-	-	-	-	-	-	-	-

Current consumption in A

10	2.75	2.75	2.71	2.65	-	-	-	-	-
20	3.93	3.97	4.00	4.00	3.99	3.98	-	-	-
30	4.72	4.79	4.87	4.90	4.91	4.92	4.96	5.05	-
40	-	5.61	5.70	5.74	5.76	5.77	5.80	5.87	-
45	-	-	6.24	6.28	6.28	6.28	6.30	6.35	-
50	-	-	-	6.95	6.94	6.92	6.92	6.94	-
55	-	-	-	-	-	7.74	7.71	7.70	-
60	-	-	-	-	-	-	-	-	-

Mass flow in kg/h

10	117	134	165	201	-	-	-	-	-
20	113	129	160	195	237	285	-	-	-
30	110	125	154	189	230	278	333	395	-
40	-	122	150	183	223	269	323	385	-
45	-	-	148	180	219	265	318	380	-
50	-	-	-	178	216	261	313	374	-
55	-	-	-	-	-	256	308	368	-
60	-	-	-	-	-	-	-	-	-

Coefficient of performance (C.O.P.)

10	4.40	4.99	6.12	7.37	-	-	-	-	-
20	3.15	3.58	4.42	5.42	6.57	7.80	-	-	-
30	2.29	2.57	3.16	3.88	4.76	5.77	6.89	8.06	-
40	-	1.87	2.25	2.75	3.37	4.11	4.99	5.98	-
45	-	-	1.91	2.31	2.82	3.45	4.19	5.06	-
50	-	-	-	1.94	2.36	2.88	3.51	4.26	-
55	-	-	-	-	-	2.40	2.93	3.56	-
60	-	-	-	-	-	-	-	-	-

Nominal performance at to = -10 °C, tc = 45 °C

Cooling capacity	8 588	W
Power input	3 717	W
Current consumption	6.28	A
Mass flow	180	kg/h
C.O.P.	2.31	

Pressure switch settings

Maximum HP switch setting	29.7	bar(g)
Minimum LP switch setting	1.4	bar(g)
LP pump down setting	2	bar(g)

Sound power data

Sound power level	70	dB(A)
With acoustic hood	62	dB(A)

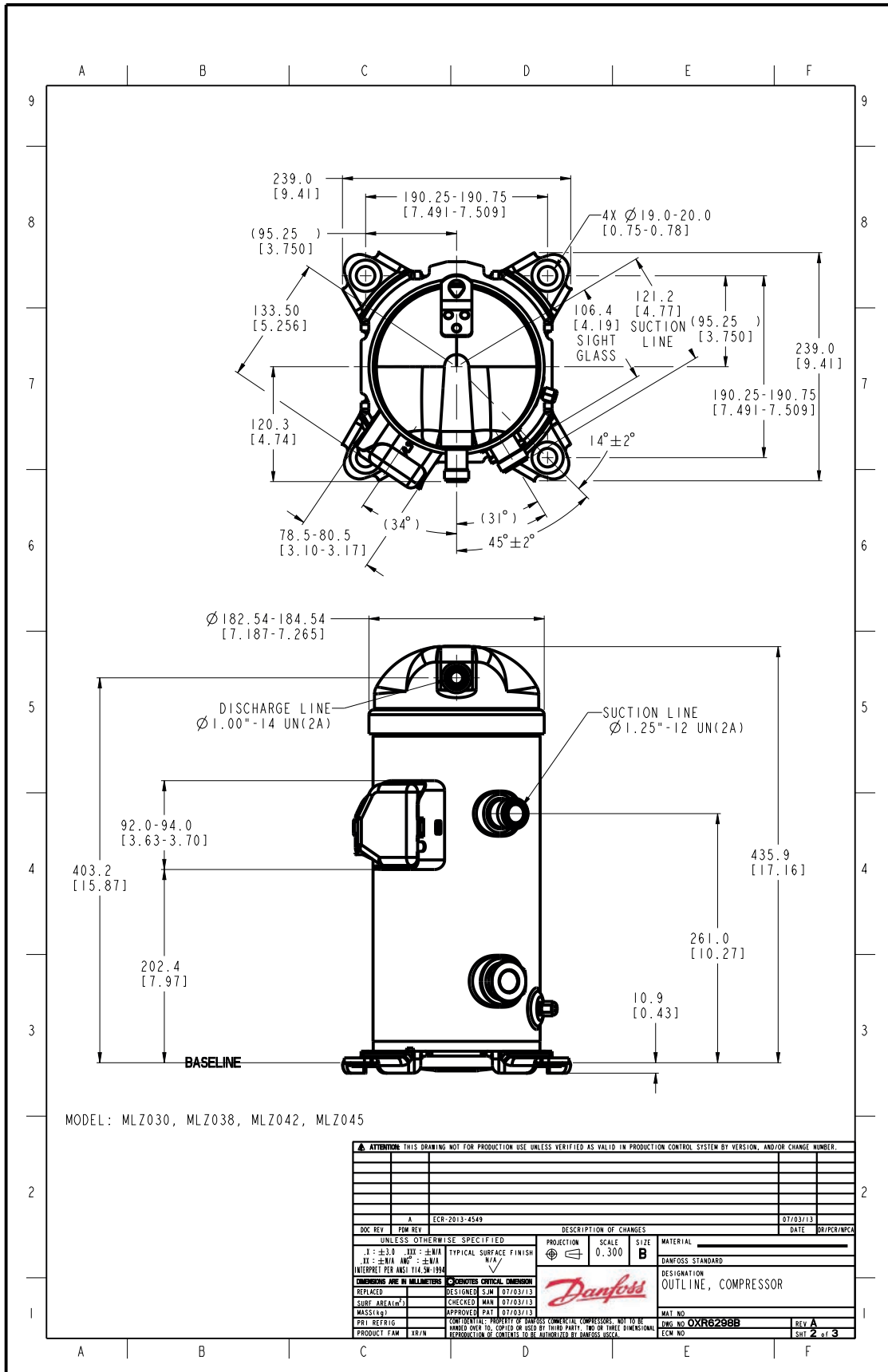
to: Evaporating temperature at dew point

tc: Condensing temperature at dew point

Rating conditions : Superheat = 11.1 K , Subcooling = 8.3 K

All performance data +/- 5%

Danfoss can accept no responsibility for possible errors in catalogues, brochures and other printed material. Danfoss reserves the right to alter its products without notice. This also applies to products already on order provided that such alternations can be made without subsequential changes being necessary in specifications already agreed. All trademarks in this material are property of the respective companies. Danfoss and the Danfoss logotype are trademarks of Danfoss A/S. All rights reserved.



Danfoss can accept no responsibility for possible errors in catalogues, brochures and other printed material. Danfoss reserves the right to alter its products without notice. This also applies to products already on order provided that such alternations can be made without consequential changes being necessary in specifications already agreed. All trademarks in this material are property of the respective companies. Danfoss, the Danfoss logotype and Maneurop are trademarks of Danfoss A/S. All rights reserved.