

GVM66AT

Energy-optimized Tropical Compressor

R134a

220-240V 50Hz

General

Code number	102A4900
Approvals	CB - IEC 60335-2-34
Compressors on pallet	125

Application

Application	LBP	
Frequency	Hz	50 60
Evaporating temperature	°C	-35 to -10 -35 to -10
Voltage range	V	187 - 254 207 - 254
Max. condensing temperature continuous (short)	°C	60 (70) 60 (70)
Max. winding temperature continuous (short)	°C	125 (135) 125 (135)

Cooling requirements

Frequency	Hz	50			60		
Application		LBP	MBP	HBP	LBP	MBP	HBP
32°C		S	-	-	S	-	-
38°C		S	-	-	S	-	-
43°C		S	-	-	S	-	-
Remarks on application: Run capacitor 4 µF strongly recommended at 60Hz LST							

Motor

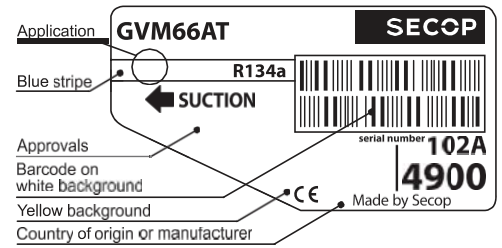
Motor type	RSIR/RSCR/CSIR	
LRA (rated after 4 sec. UL984), HST LST	A	8.9 7.6
Cut in Current, HST LST	A	8.9 11.0
Resistance, main start winding (25°C)	Ω	9.7 25.0

Design

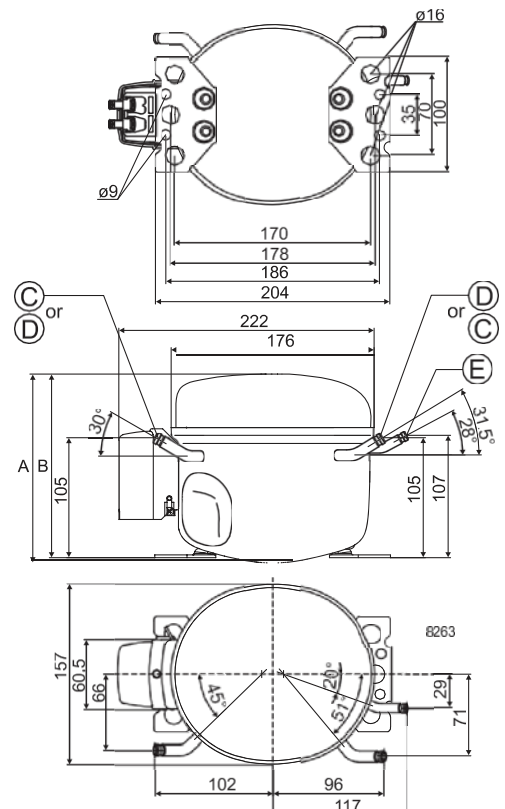
Displacement	cm ³	6.49
Oil quantity (type)	cm ³	180 (polyolester)
Maximum refrigerant charge	g	400
Free gas volume in compressor	cm ³	1790
Weight without electrical equipment	kg	8.3

Dimensions

Height	mm	A	173
		B	169
		B1	-
		B2	-
Suction connector	location/I.D. mm angle	C	6.2 30°
	material comment	Copper Rubber plug	
Process connector	location/I.D. mm angle	D	6.2 31.5°
	material comment	Copper Rubber plug	
Discharge connector	location/I.D. mm angle	E	5.0 28°
	material comment	Copper Rubber plug	
Oil cooler connector	location/I.D. mm angle	F	-
	material comment	-	
Connector tolerance	I.D. mm	±0.09, on 5.0 +0.12/+0.20	
Remarks:			



- S = Static cooling normally sufficient
- O = Oil cooling
- F1 = Fan cooling 1.5 m/s (compressor compartment temperature equal to ambient temperature)
- F2 = Fan cooling 3.0 m/s necessary
- SG = Suction gas cooling normally sufficient
- = not applicable in this area



EN 12900 Household (CECOMAF) 220V, 50Hz, 2 W PTC consumption incl., static cooling

Evap. temp in °C	-45	-40	-35	-30	-25	-23.3	-20	-15	-10	-6.7	-5	0	5	7.2	10	15	20
Capacity in W			71.6	99.5	134	147	176	228	290								
Power cons. in W			107	125	142	148	160	179	200								
Current cons. in A			1.07	1.11	1.17	1.19	1.23	1.31	1.39								
COP in W/W			0.67	0.80	0.94	0.99	1.10	1.27	1.45								

EN 12900 Household (CECOMAF) 220V, 50Hz, RC 4µF, 2W PTC consumption incl., static cooling

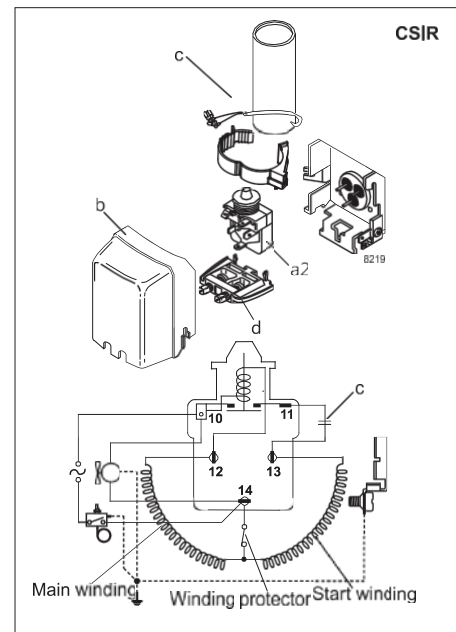
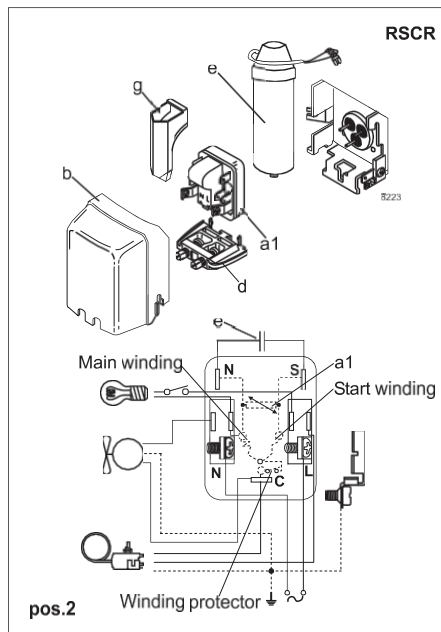
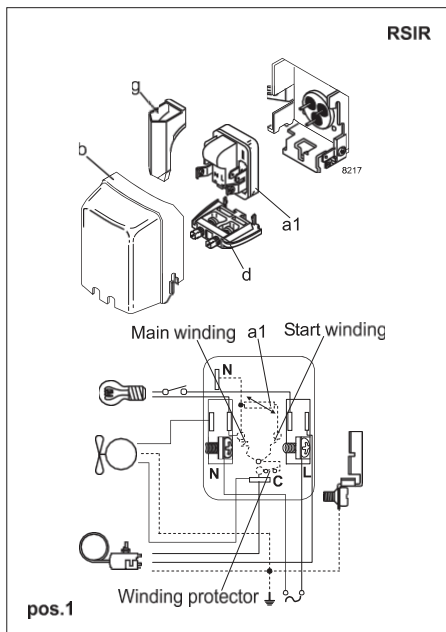
Evap. temp in °C	-45	-40	-35	-30	-25	-23.3	-20	-15	-10	-6.7	-5	0	5	7.2	10	15	20
Capacity in W			71.6	99.5	134	147	176	228	290								
Power cons. in W			99.5	116	133	138	149	166	186								
Current cons. in A			0.69	0.74	0.80	0.82	0.87	0.94	1.03								
COP in W/W			0.72	0.85	1.01	1.07	1.19	1.37	1.56								

ASHRAE LBP 220V, 50Hz, 2W PTC consumption incl., static cooling

Evap. temp in °C	-45	-40	-35	-30	-25	-23.3	-20	-15	-10	-6.7	-5	0	5	7.2	10	15	20
Capacity in W			88.7	123	166	183	218	282	359								
Power cons. in W			107	125	142	148	160	178	199								
Current cons. in A			1.07	1.11	1.17	1.19	1.23	1.30	1.38								
COP in W/W			0.83	0.98	1.17	1.23	1.37	1.58	1.80								

ASHRAE LBP 220V, 60Hz, RC 4µF, 2W PTC consumption incl., static cooling

Evap. temp in °C	-45	-40	-35	-30	-25	-23.3	-20	-15	-10	-6.7	-5	0	5	7.2	10	15	20
Capacity in W			104	145	195	214	256	331	422								
Power cons. in W			114	133	151	160	169	189	211								
Current cons. in A			0.58	0.65	0.73	0.76	0.82	0.93	1.04								
COP in W/W			0.92	1.09	1.29	1.37	1.52	1.75	2.00								



Accessories for	GVM66AT	Figure	Code number	Test conditions	EN 12900/CECOMAF	ASHRAE												
PTC starting device	6.3 mm spade connectors	a1 (pos. 1)	103N0011	Condensing temperature	55°C	54.4°C												
	4.8 mm spade connectors		103N0018	Ambient temperature	32°C	32°C												
PTC starting device	6.3 mm spade connectors	a1 (pos. 2)	103N0016	Suction gas temperature	32°C	32°C												
	4.8 mm spade connectors		103N0021	Liquid temperature	no subcooling	32°C												
Starting relay	6.3 mm spade connectors	a2	117U6016															
Start capacitor 60 µF	6.3 mm spade connectors	c	117U5014															
Cover		b	103N2010															
Cord relief		d	103N1010															
Run capacitor	6.3 mm spade connectors	e	117-7117	<table border="1"> <thead> <tr> <th colspan="2">Mounting accessories</th> <th>Code number</th> </tr> </thead> <tbody> <tr> <td>Bolt joint for one comp.</td> <td>Ø: 16 mm</td> <td>118-1917</td> </tr> <tr> <td>Bolt joint in quantities</td> <td>Ø: 16 mm</td> <td>118-1918</td> </tr> <tr> <td>Snap-on in quantities</td> <td>Ø: 16 mm</td> <td>118-1919</td> </tr> </tbody> </table>			Mounting accessories		Code number	Bolt joint for one comp.	Ø: 16 mm	118-1917	Bolt joint in quantities	Ø: 16 mm	118-1918	Snap-on in quantities	Ø: 16 mm	118-1919
Mounting accessories			Code number															
Bolt joint for one comp.	Ø: 16 mm	118-1917																
Bolt joint in quantities	Ø: 16 mm	118-1918																
Snap-on in quantities	Ø: 16 mm	118-1919																
4 µF (optional)	4.8 mm spade connectors	117-7119																
Protection screen for PTC		g	103N0476															

Secop can accept no responsibility for possible errors in catalogues, brochures and other printed material. Secop reserves the right to alter its products without notice. This also applies to products already on order provided that such alterations can be made without consequential changes being necessary in specifications already agreed. All trademarks in this material are property of the respective companies. Secop and the Secop logotype are trademarks of Secop GmbH. All rights reserved. www.secop.com