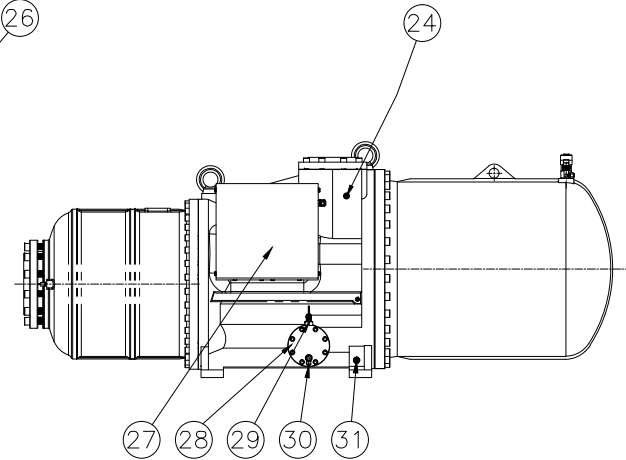
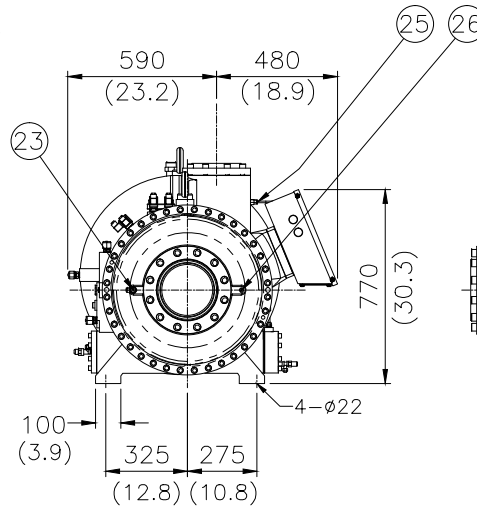
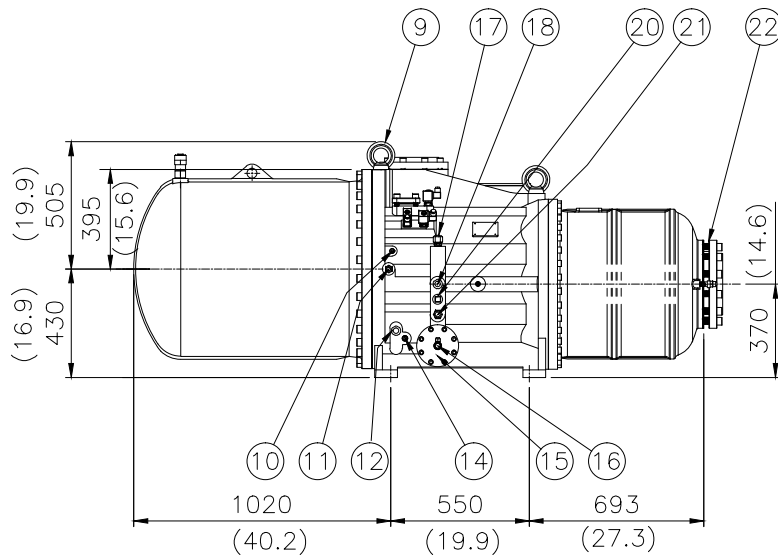


No.	Name	Note	No.	Name	Note
1	Angle valve	1/4"Flare	17	Oil cooler connector(in)	3/4"Flare
2	Safety valve	1 1/4",option	18	Oil flow sight glass	
3	Discharge flange	5"	19	Service eyebolt hole	M20
4	Economizer port	2 1/8", solder	20	Stop Pin	option
5	Solenoid valve	Stepless(NC or NO),option	21	Oil cooler connector(out)	3/4"Flare
6	Solenoid valve	25%(NC),RC2-1270 30%(NC),RC2-1530	22	Suction flange	8"
7	Solenoid valve	50%(NC)	23	Angle valve	1/4"Flare
8	Solenoid valve	75%(NC)	24	Angle valve	1/4"Flare
9	Eyebolt	M30	25	Discharge temp. sensor	110°C
10	Displacement indicator	Option	26	Refrigerant service valve	1/4"Flare
11	Oil or Liquid refrigerant injection connector	5/8"Flare	27	Cable box	Standard
12	Oil sight glass	High side	28	service flange	
14	Oil equalization valve	1/2"Flare,option	29	Oil level switch	
15	Oil filter cartridge		30	Oil drain valve	1/4"Flare
16	Oil pressure differential switch	connector,option	31	Oil heater	150W/300W



Unit:

SI:mm Imperial:(in)

△		
△		
△	2014.09.11	Dimension correction
Item	Date	Modification

Model	RC2-1270/1530A&B		
Name	Compressor outline		
		HANBELL	NO. 04