

Diameter:

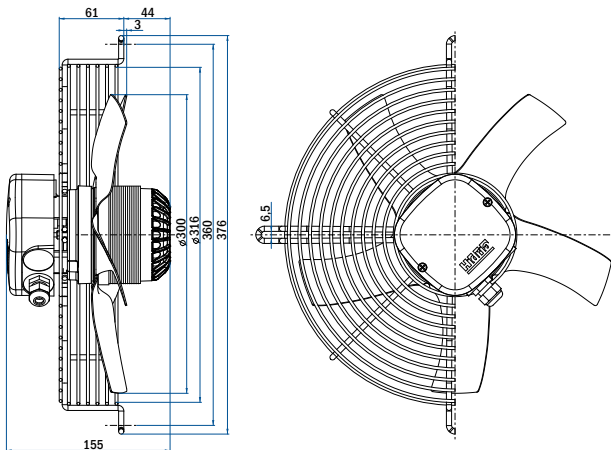
300 mm

R09\_-3018H\_-2M-4248



### Fan with guard grill

Airflow Direction	Type	Code	Weight (kg)
Sucking	R09R-3018HA-2M-4248	0309-4-1093	3.5
Blowing	R09R-3018HP-2M-4248	0309-4-1094	



### Fan with plate

Airflow Direction	Type	Code	Weight (kg)
Sucking	R09P-3018HA-2M-4248	On request	
Blowing	R09P-3018HP-2M-4248	On request	

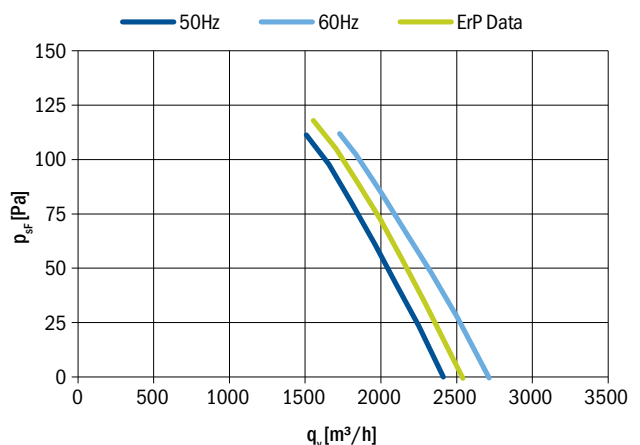
### Fan without guard grill

Airflow Direction	Type	Code	Weight (kg)
Sucking	R09E-3018HA-2M-4248	On request	
Blowing	R09E-3018HP-2M-4248	On request	

Nominal data according to standard EN 60335:	
Phase	1~
Nominal voltage	230 V
Frequency	50/60 Hz
Rated power input	140/190 W
Rated current	0.62/0.83 A
Rated speed	2590/2700 RPM
Min. ambient temperature	-30 °C
Max. ambient temperature	55/40 °C
Sound power level A weighted	83/87 dB (A)
Condensator	5 µF/450 V
Connection	terminal box
Insulation class	155
Protection class	IP54

ErP data according to EU regulation 327/2011:	
Overall efficiency	29.0 %
Measurement category	A
Efficiency category	static
Efficiency grade N	40.2
Variable speed drive	NO
Power input	169 W
Air flow	1553 m <sup>3</sup> /h
Pressure drop	118 Pa
Speed	2585 RPM
Specific ratio	1.00

### Aerodynamic characteristic



Fan characteristic measured in full bell mouth with guard grill.

ErP characteristic measured in full bell mouth without guard grill.

General notes	
Connection diagrams:	
Sucking	0301-1-0043 See section
Blowing	0301-1-0044 Connection diagrams
Guard grills & wall-plates	See section Accessories
Standards compliance	See introduction page