

**R09\_-3532\_-4M-4237**

**Diameter:**

**350 mm**

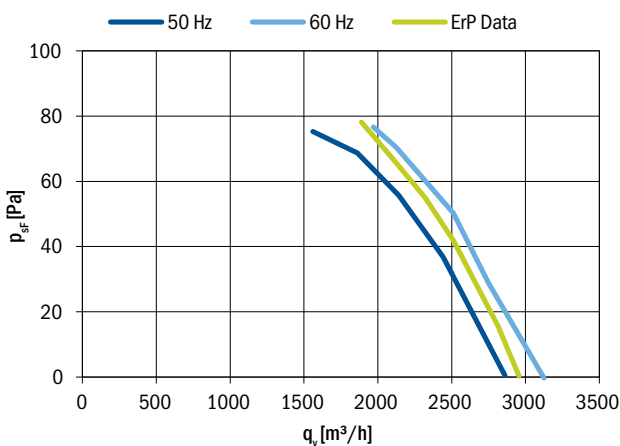
**Nominal data according to standard EN 60335:**

Phase	1~
Nominal voltage	230 V
Frequency	50/60 Hz
Rated power input	130/165 W
Rated current	0.58/0.72 A
Rated speed	1280/1350 RPM
Min. ambient temperature	-30 °C
Max. ambient temperature	70/65 °C
Sound power level A weighted	71/73 dB (A)
Condensator	4 µF/450 V
Connection	terminal box
Insulation class	155
Protection class	IP54

**ErP data according to EU regulation 327/2011:**

Overall efficiency	26.2 %
Measurement category	A
Efficiency category	static
Efficiency grade N	37.7
Variable speed drive	NO
Power input	149 W
Air flow	1889 m³/h
Pressure drop	78 Pa
Speed	1285 RPM
Specific ratio	1.00

**Aerodynamic characteristic**



Fan characteristic measured in short bell mouth with guard grill.  
ErP characteristic measured in full bell mouth without guard grill.

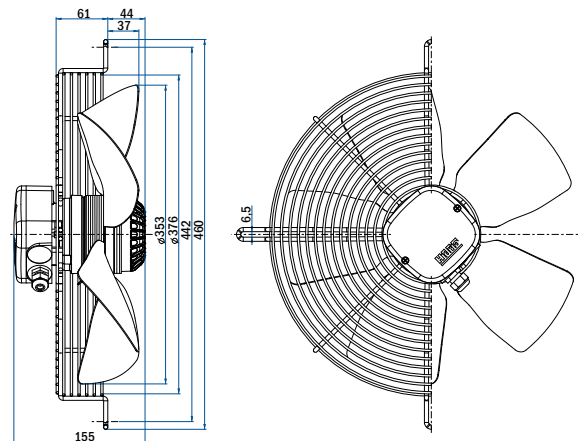
**General notes**

Connection diagrams:		
Sucking	0301-1-0043	See section
Blowing	0301-1-0044	Connection diagrams
Guard grills & wall-plates	See section Accessories	
Standards compliance	See introduction page	



**Fan with guard grill**

Airflow Direction	Type	Code	Weight (kg)
Sucking	R09R-3532A-4M-4237	0309-4-0108	4.0
Blowing	R09R-3532P-4M-4237	0309-4-0221	



**Fan with plate**

Airflow Direction	Type	Code	Weight (kg)
Sucking	R09P-3532A-4M-4237	On request	
Blowing	R09P-3532P-4M-4237	On request	

**Fan without guard grill**

Airflow Direction	Type	Code	Weight (kg)
Sucking	R09E-3532A-4M-4237	On request	
Blowing	R09E-3532P-4M-4237	On request	