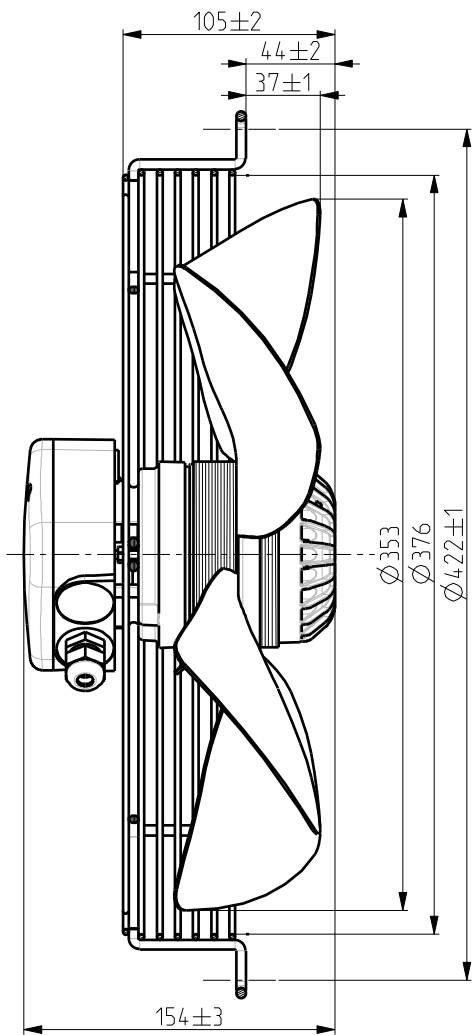
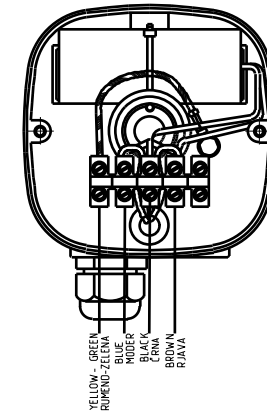
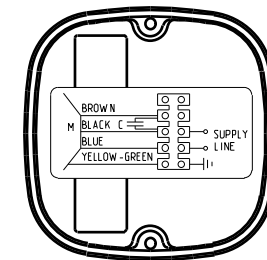
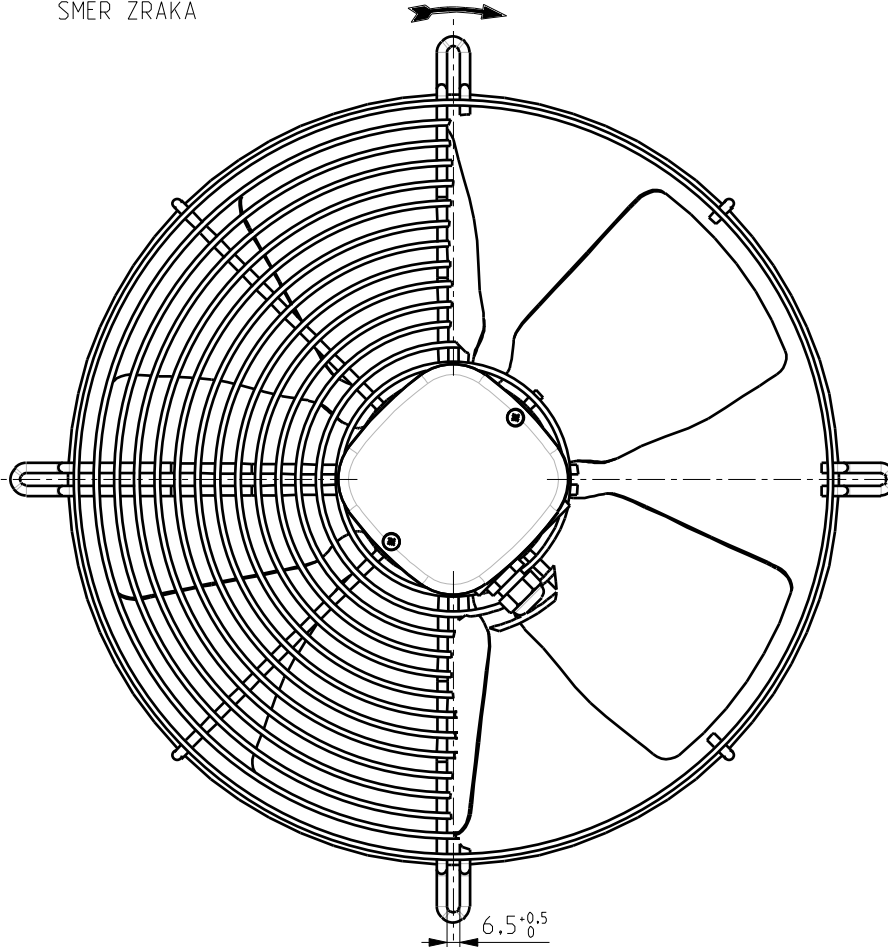


Vsak prenos tretjim osebam in uporaba v nedogovorjene namene ni dovoljen.
 This document must not be copied without our written permission and/or transferred to a third party for any unauthorized purpose.



← SUCKING
 AIRFLOW DIRECTION
 SMER ZRAKA



Navodila za kontrolo 0301-1-4097
 Checking instruction 0301-1-4097

HTM	MADE IN SLOVENIA	CE DATE
R09R-3532A-6M-4219 1~230/240V 50/60Hz 80W 0.36A 900RPM IP54 INS.CL. B C=2uF/450V TH.PROT. ROT. ← 0309-4-0062		

			NETOLERI/BRANC NERE UNTOLERANCED DIM.		ISO 2768-m		MERILO/FORMAT 2.5 / A3			
			POVRŠINSKA OBD. SURFACE TEXTURE		MATERIAL		NAZIV: TITLE:		VENTILATOR R09R-3532A-6M-4219	
			DATUM	PODPIS	RAZIŠČENJE CHECKING		NODA: CODE:		VERZIJA: REV:	
			23-Dec-2003	Uros K.	PROJEKTIRAL PROJECTED		0309-4-0062		LIST: SHEET:	
					POTRIBIL ROTOMATIKA MOTORS POTRIBIL ŠNE LIVARSTVO		0309-4-0062		OD: OF:	
2	03/07	01-Feb-2007	Uros K.		POTRIBIL ROTOMATIKA FANS				1	
1	06/04	23-Dec-2003	Uros K.		POTRIBIL					
	ST.	ST. SPR.	DATUM	PODPIS						