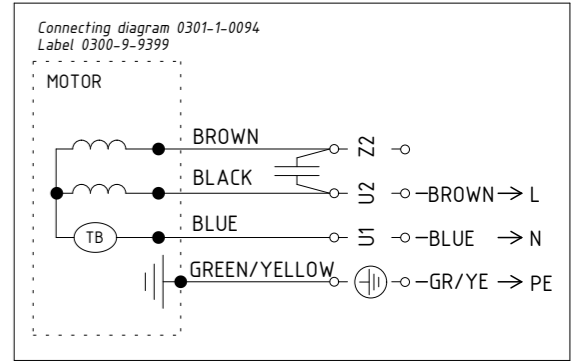
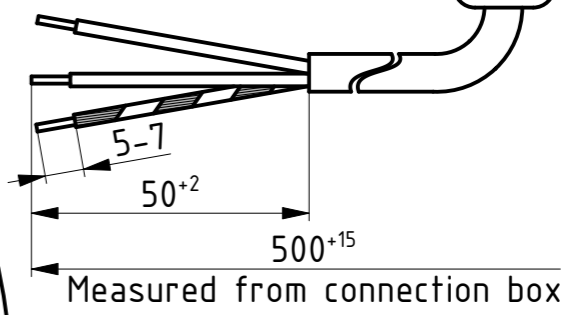
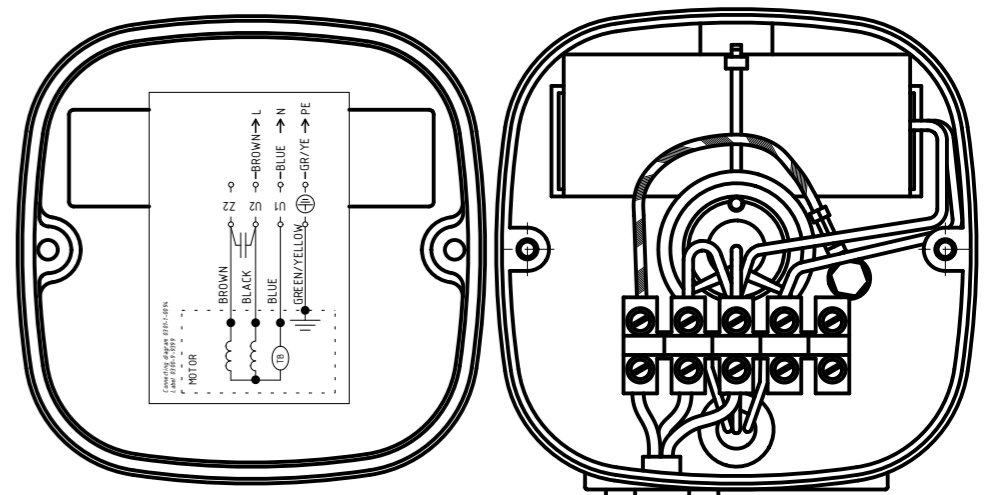
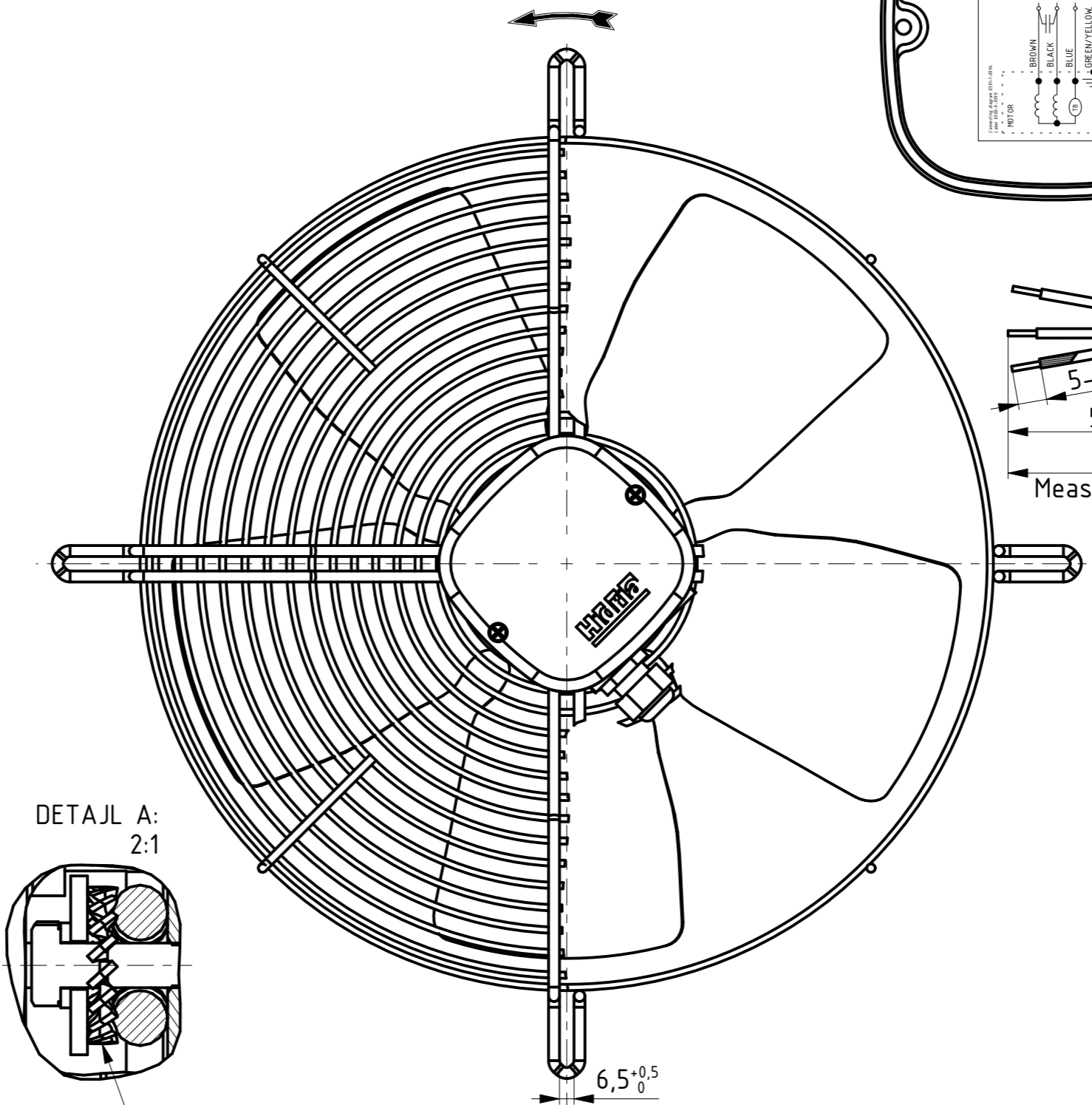
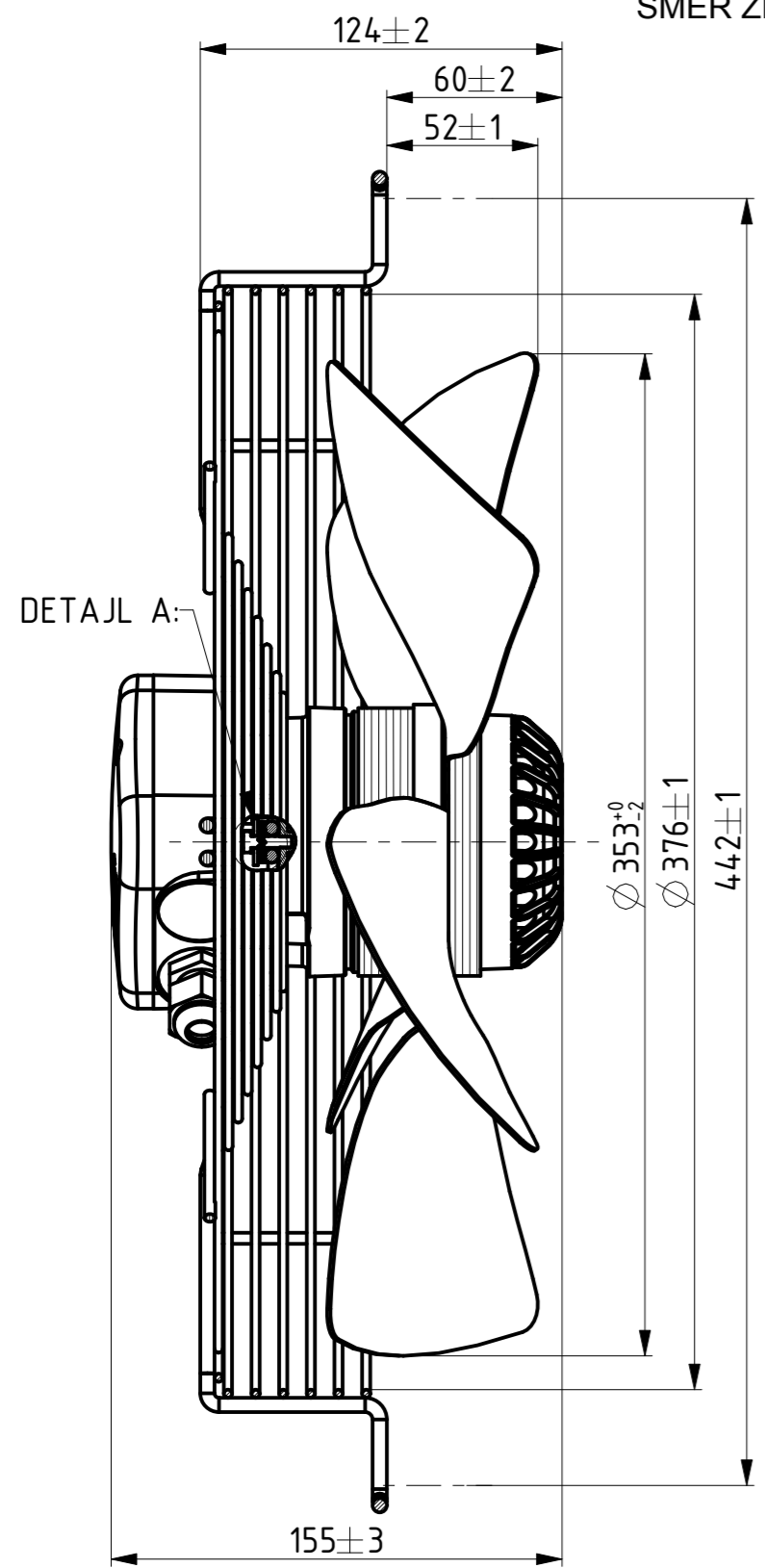


All drawings, regardless of form, are owned by Hidria Rotomatika d.o.o. and are strictly confidential and present copyright. Intellectual Property Rights as follows rights under the laws of patents, petty patents, design patents and registered designs, copyrights, trade secret rights, and similar exclusive rights in industrial property connected with the drawings are reserved by Hidria Rotomatika d.o.o.. Disclosure to any third party is strictly forbidden.

BLOWING
AIRFLOW DIRECTION
SMER ZRAKA



Pazi!
Dodana zobata podložka
Added serrated lock washer

Hidria	MADE IN SLOVENIA	CE	DATE
R09R-3532P-6M-4219			0309-4-0256
1~230V 50Hz 75W 0,35A 900RPM			
MAX.AMB.55° C IP54 INS.CL.155 C=2µF/450V			
TH.PROT. ROT.			

1	AC	Ventilator se spremeni v verzijo z priključno škatlo; zamenja se stator sestav 0309-2-1884 z statorjem sestavom 0309-2-1715, doda se priključno škatlo 0300-9-4173, doda se dodatni kabel 0300-9-9543. Spremeni se verzija z AB v AC. Risba v Windchillu je skladna z risbo v arhivu.	30.05.13	Samuel B.
Št.spremembe: Change nbr:	Verzija: Revision:	Opis spremembe: Description of change:	Datum: Date:	Izdelal: Produced:
MERIL/FORMAT 2:5 / A3	PDM VERZIJA PDM VERSION AC.2	NETOLERIRANE MERE UNTOLERANCED DIM. ISO 2768-m	NAZIV: TITLE: VENTILATOR R09R-3532P-6M-4219	
Potrjeno/Approved		POVRŠINSKA OBD. SURFACE TEXTURE	KODA: CODE: 0309-4-0256 0309-4-0256	
Hidria		MATERIAL	VERZIJA ARTIKLA: REVISION ARTICLE: AC	
RISAL	18.10.12	PROJEKTIRAL	18.10.12	LIST: SHEET: 1 OD: OF: 1
	Uroš K.		Samuel B.	

Opomba:
- navodilo za kontrolo ventilatorja 0301-1-4783
- checking instruction 0301-1-4783