

Diameter:

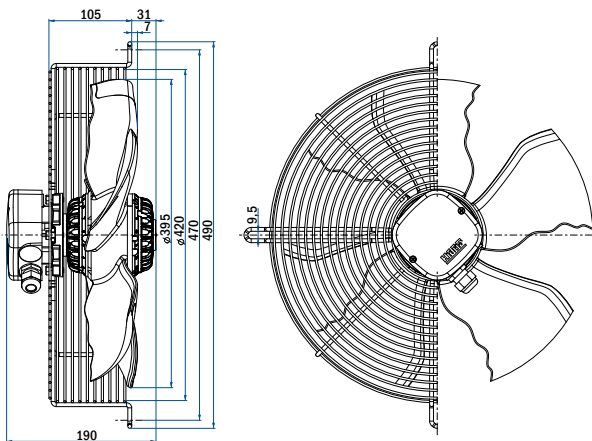
400 mm

R11_-40LP_-6M-3806



Fan with guard grill

Airflow Direction	Type	Code	Weight (kg)
Sucking	R11R-40LPS-6M-3806	0311-4-0490	
Blowing	R11R-40LPB-6M-3806	On request	



Fan with plate

Airflow Direction	Type	Code	Weight (kg)
Sucking	R11P-40LPS-6M-3806	On request	
Blowing	R11P-40LPB-6M-3806	On request	

Fan without guard grill

Airflow Direction	Type	Code	Weight (kg)
Sucking	R11P-40LPS-6M-3806	On request	
Blowing	RO9E-30SPB-4M-2543	On request	

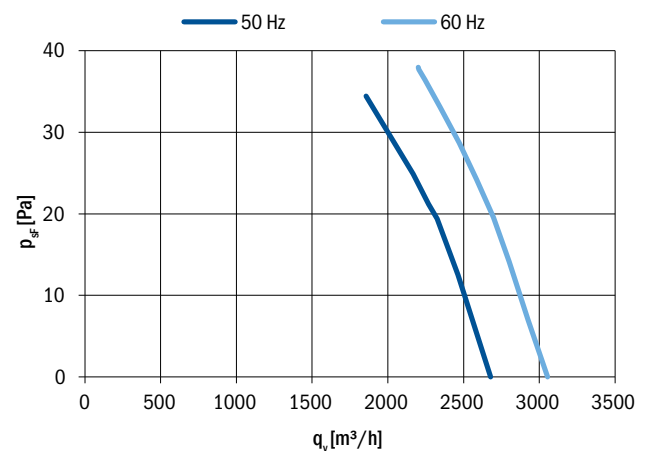
Nominal data according to standard EN 60335:	
Phase	1~
Nominal voltage	230 V
Frequency	50/60 Hz
Rated power input	85/110 W
Rated current	0.38/0.48 A
Rated speed	870/980 RPM
Min. ambient temperature	-30 °C
Max. ambient temperature	60 °C
Sound power level A weighted	
Condensator	3.15 µF/450 V
Connection	terminal box
Insulation class	155
Protection class	IP54

ErP data according to EU regulation 327/2011:

Is not subject to the EU regulation 327/2011.

Power input lower than 125 W.

Aerodynamic characteristic



Fan characteristic measured in short bell mouth with guard grill.

General notes

Connection diagrams:

Sucking 0301-1-0043 See section
Blowing 0301-1-0044 Connection diagrams

Guard grills & wall-plates See section Accessories

Standards compliance See introduction page