

Diameter:

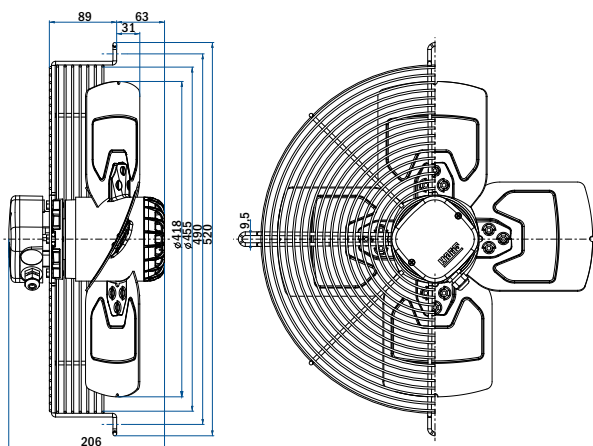
420 mm

R11_-4225_-4T2-5745



Fan with guard grill

Airflow Direction	Type	Code	Weight (kg)
Sucking	R11R-4225A-4T2-5745	0311-4-0277	7.8
Blowing	R11R-4225P-4T2-5745	0311-4-0286	



Fan with plate

Airflow Direction	Type	Code	Weight (kg)
Sucking	R11P-4225A-4T2-5745	On request	
Blowing	R11P-4225P-4T2-5745	On request	

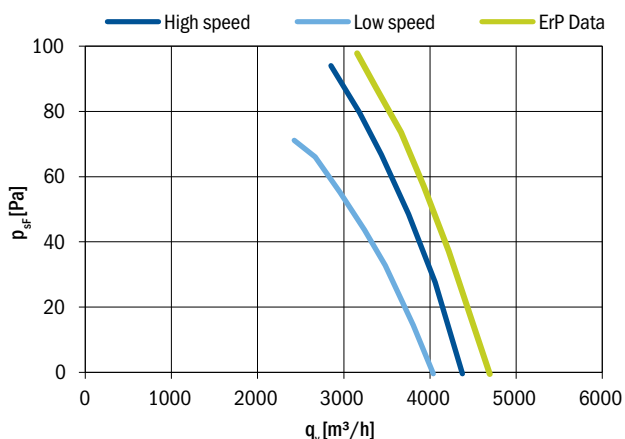
Fan without guard grill

Airflow Direction	Type	Code	Weight (kg)
Sucking	R11E-4225A-4T2-5745	On request	
Blowing	R11E-4225P-4T2-5745	On request	

Nominal data according to standard EN 60335:	
Phase	3~
Nominal voltage	400 V
Frequency	50/60 Hz
Speed	high/low
Rated power input	215/165/305/220 W
Rated current	0.51/0.26/0.56/0.37 A
Rated speed	1410/1240/1410/1300 RPM
Min. ambient temperature	-30 °C
Max. ambient temperature	70/70/60/60 °C
Sound power level A weighted	72/69/73/71 dB (A)
Connection	terminal box
Insulation class	155
Protection class	IP54

ErP data according to EU regulation 327/2011:	
Overall efficiency	33.5 %
Measurement category	A
Efficiency category	static
Efficiency grade N	43.7
Variable speed drive	NO
Power input	245 W
Air flow	3191 m ³ /h
Pressure drop	96 Pa
Speed	1416 RPM
Specific ratio	1.00

Aerodynamic characteristic



Fan characteristic measured in short bell mouth with guard grill.
ErP characteristic measured in full bell mouth without guard grill.

General notes	
Connection diagrams:	
Sucking	0301-1-0048 See section
Blowing	0301-1-0048 Connection diagrams
Guard grills & wall-plates	See section Accessories
Standards compliance	See introduction page