

**R11\_-4225\_-4M-5715**

**Diameter:**

**420 mm**

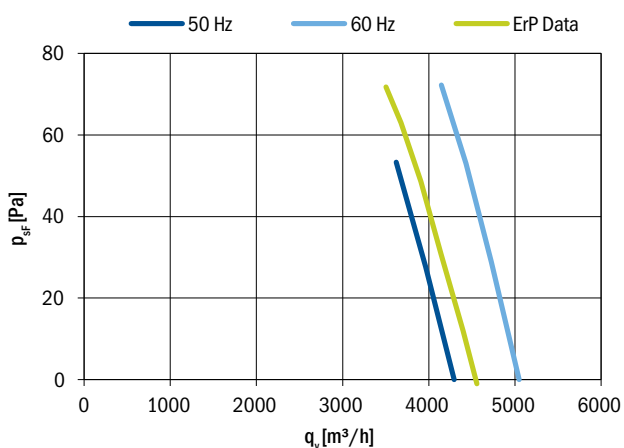
**Nominal data according to standard EN 60335:**

Phase	1~
Nominal voltage	230 V
Frequency	50/60 Hz
Rated power input	230/300 W
Rated current	1.15/1.30 A
Rated speed	1400/1600 RPM
Min. ambient temperature	-30 °C
Max. ambient temperature	50/70 °C
Sound power level A weighted	70/73 dB (A)
Condensator	6.3 µF/450 V
Connection	terminal box
Insulation class	155
Protection class	IP54

**ErP data according to EU regulation 327/2011:**

Overall efficiency	30.9 %
Measurement category	A
Efficiency category	static
Efficiency grade N	41.1
Variable speed drive	NO
Power input	241 W
Air flow	3056 m³/h
Pressure drop	93 Pa
Speed	1365 RPM
Specific ratio	1.00

**Aerodynamic characteristic**



Fan characteristic measured in short bell mouth with guard grill.  
ErP characteristic measured in full bell mouth without guard grill.

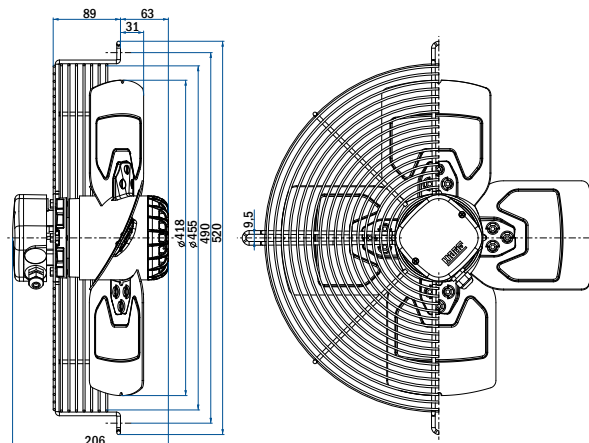
**General notes**

Connection diagrams:		
Sucking	0301-1-0044	See section
Blowing	0301-1-0043	Connection diagrams
Guard grills & wall-plates	See section Accessories	
Standards compliance	See introduction page	



**Fan with guard grill**

Airflow Direction	Type	Code	Weight (kg)
Sucking	R11R-4225A-4M-5715	0311-4-0265	6.3
Blowing	R11R-4225P-4M-5715	0311-4-0266	



**Fan with plate**

Airflow Direction	Type	Code	Weight (kg)
Sucking	R11P-4225A-4M-5715	On request	
Blowing	R11P-4225P-4M-5715	On request	

**Fan without guard grill**

Airflow Direction	Type	Code	Weight (kg)
Sucking	R11E-4225A-4M-5715	On request	
Blowing	R11E-4225P-4M-5715	On request	