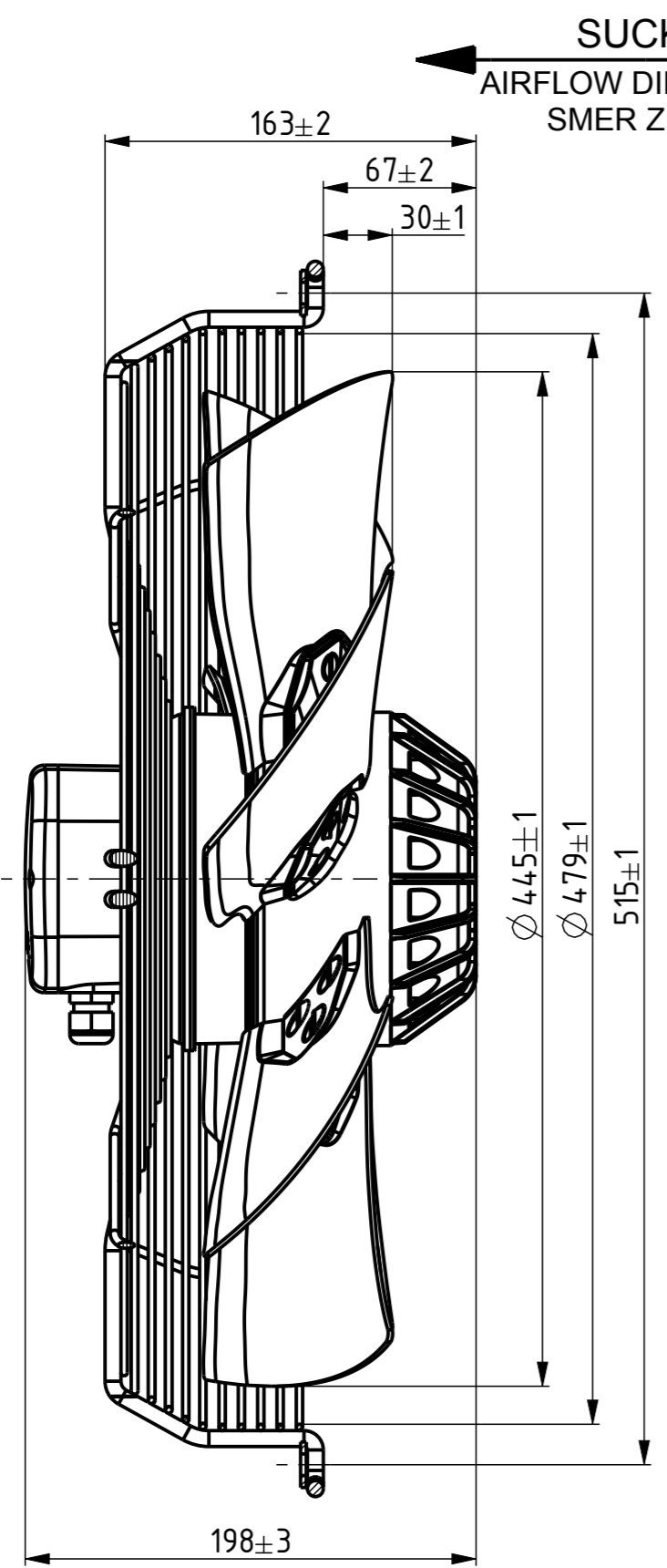
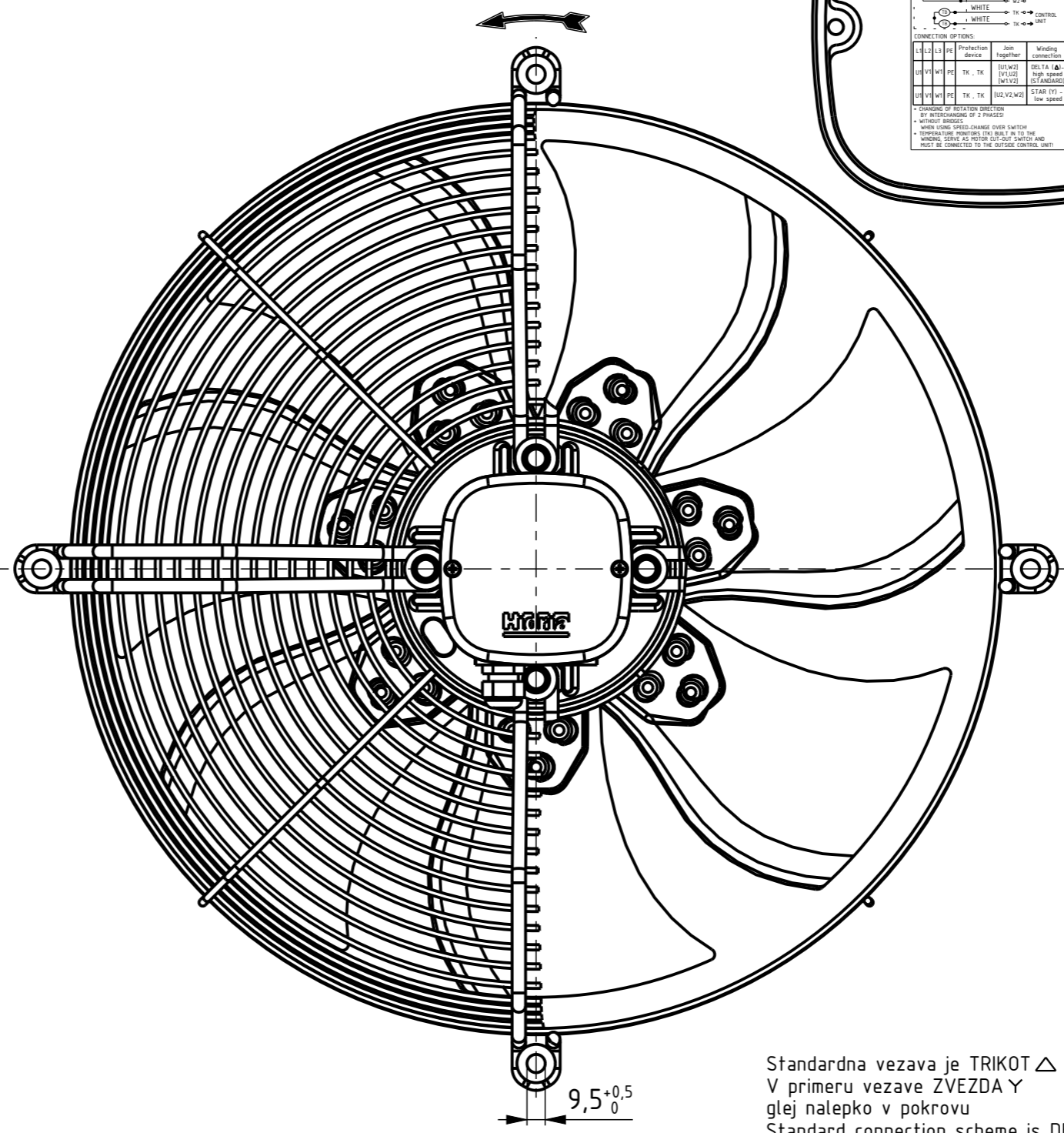


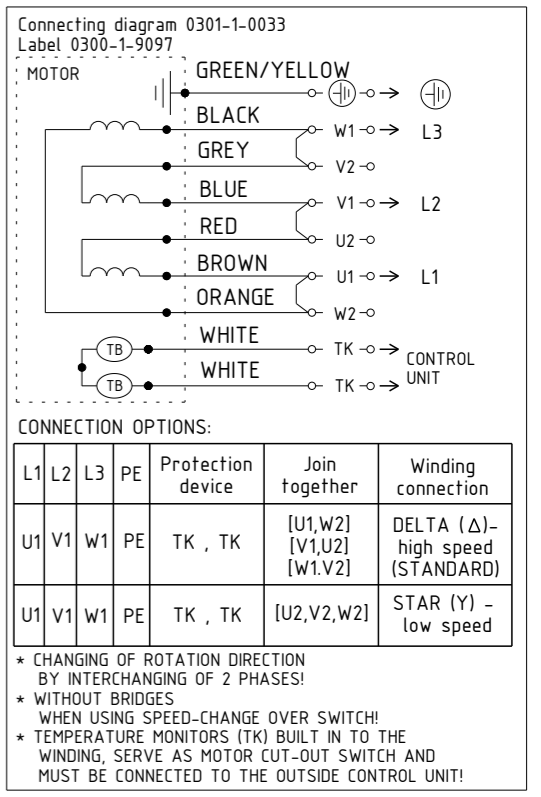
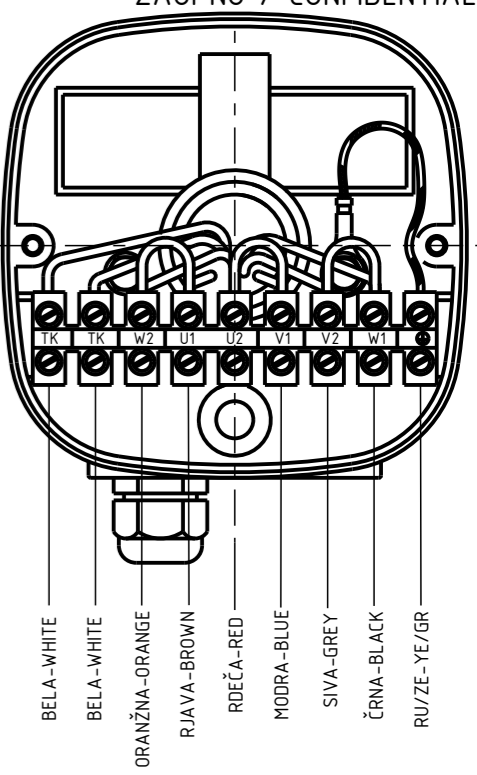
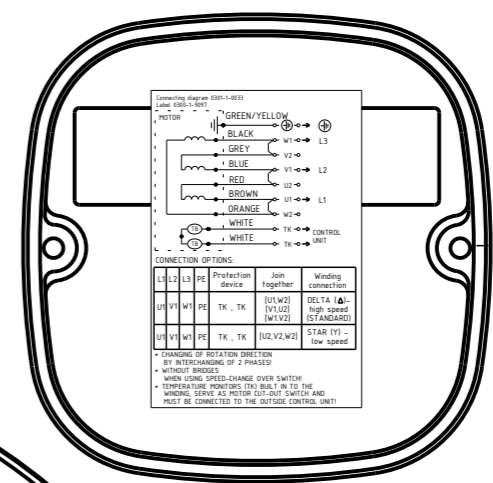
All drawings, regardless of form, are owned by Hidria Rotomatika d.o.o. and are strictly confidential and present copyright. Intellectual Property Rights as follows rights under the laws of patent, petty patents, design patents and registered designs, copyrights, trade secret rights, and similar exclusive rights in industrial property connected with the drawings are reserved by Hidria Rotomatika d.o.o.. Disclosure to any third party is strictly forbidden.



SUCKING
AIRFLOW DIRECTION
SMER ZRAKA



Standardna vezava je TRIKOT Δ
 V primeru vezave ZVEZDA Y
 glej nalepko v pokrovu
 Standard connection scheme is DELTA Δ
 If required STAR Y see the
 connection diagram in the cover



Opombe:
VENTILATOR NEBARVAN
Not coloured fan

Vzmetna ploščica na kabelski strani
 - navodilo za kontrolo ventilatorja 0301-1-4511
 - checking instructions 0301-1-4511

Hidria MADE IN SLOVENIA
 R13R-4530HA-6T2-5065 DATE 0313-4-1180
 3~400V D/Y 50Hz 170/105W 0,70/0,23A
 940/840RPM IP54 INS.CL.155
 TH.PROT. ROT.

AA	AA	Prva izdaja. Risba v Windchillu je skladna z risbo v arhivu.	13.09.2017	Uroš K.
Verzija Artikla:	Verzija risbe:	Opis spremembe:	Datum:	Izdelal:
Article revision:	DRW Revision:	Description of change:	Date:	Produced:
KONSTRUIRAL / DRN:	13.09.2017	Uroš Kunc		
ODOBRIL / APP:	14.09.2017	Uroš Tominec		
Potrjeno/Approved		NAZIV: TITL:		
Hidria		VENTILATOR R13R-4530HA-6T2-5065		
NETOL. MERE/UNTOL DIM:	ISO 2768-m	MASA:	KODA:	VERZIJA ARTIKLA:
MERIL/FORMAT:	33:100/A3	MASS:	0313-4-1180	REVISION ARTICLE:
			0313-4-1180	AA
				VERZIJA RISBE:
				DRW REVISION:
				AA
				LIST/SHEET:
				1/1