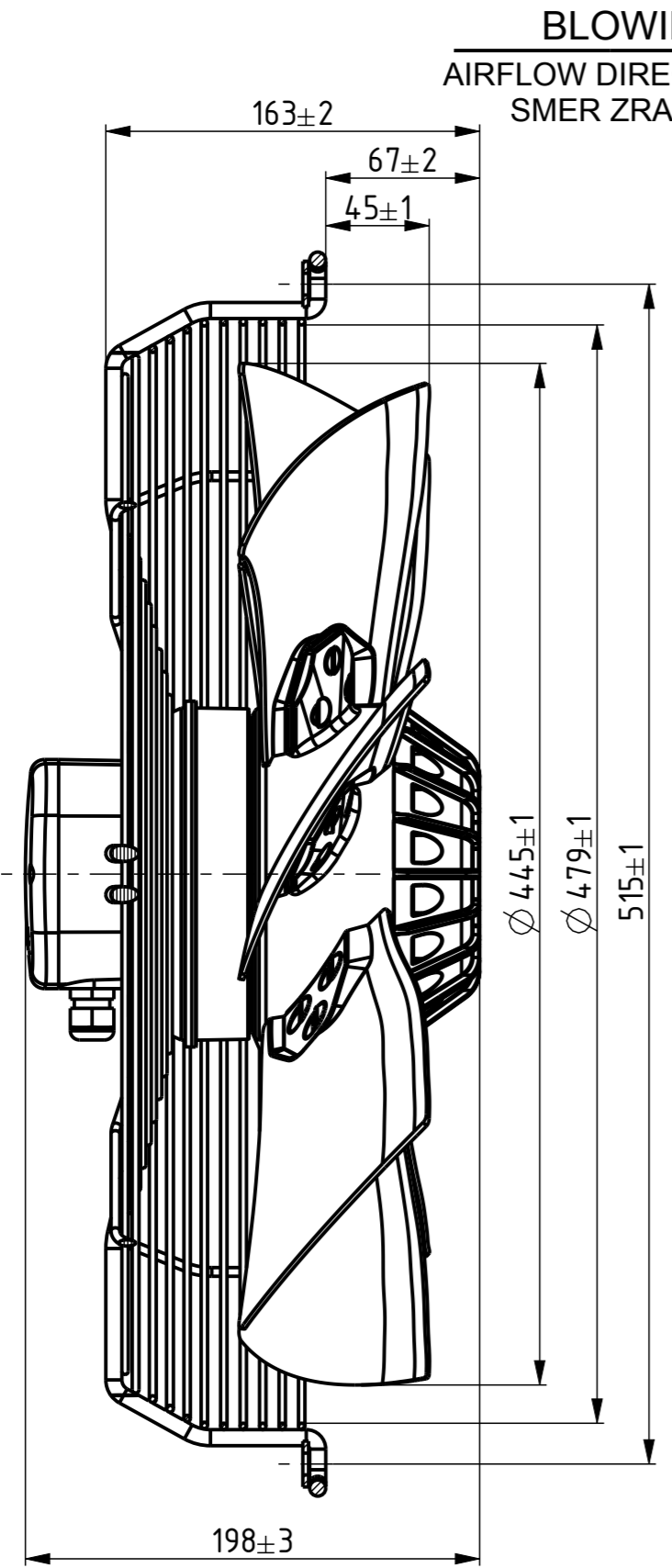
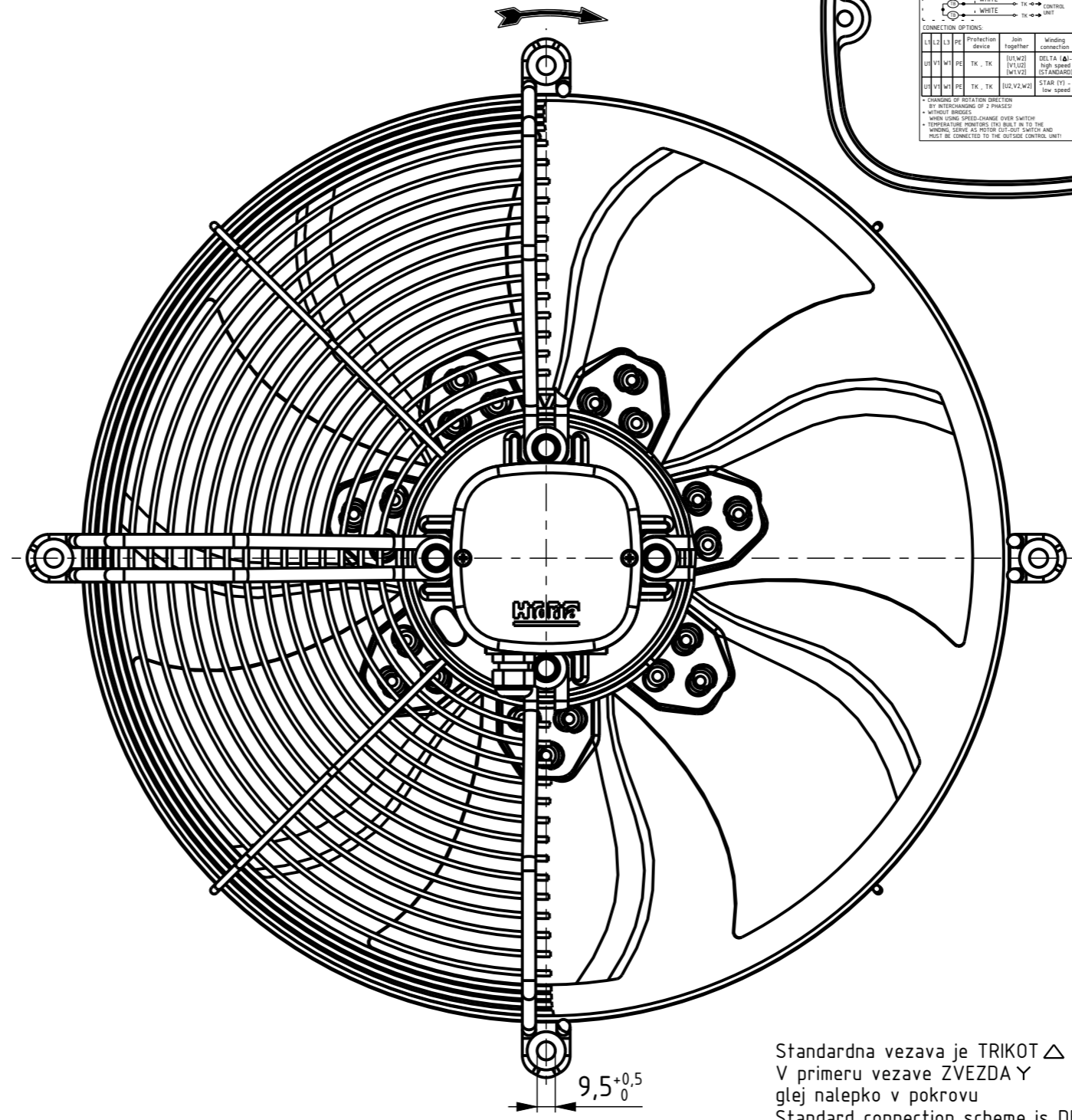


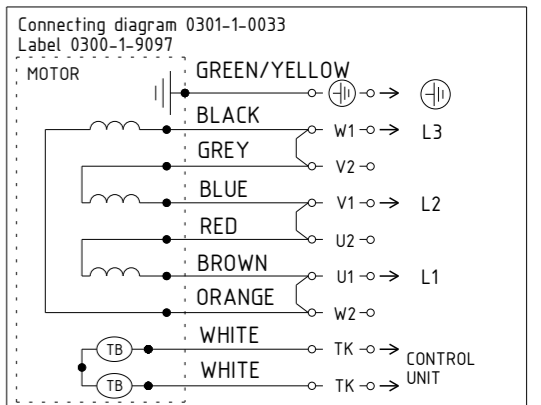
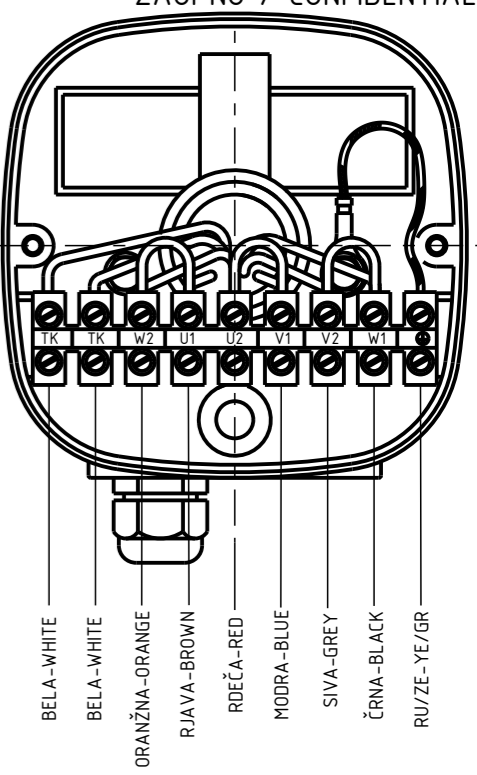
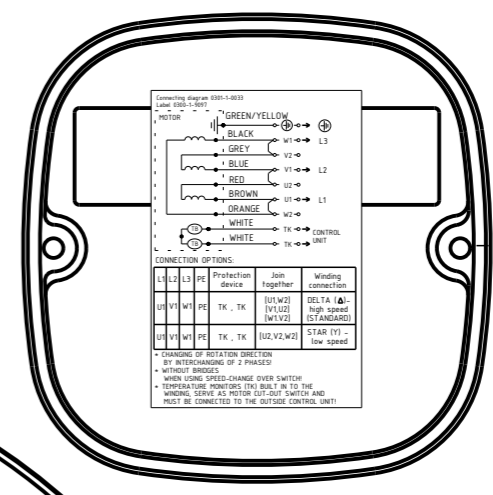
All drawings, regardless of form, are owned by Hidria Rotomatika d.o.o. and are strictly confidential and present copyright. Intellectual Property Rights as follows rights under the laws of patent, petty patents, design patents and registered designs, copyrights, trade secret rights, and similar exclusive rights in industrial property connected with the drawings are reserved by Hidria Rotomatika d.o.o.. Disclosure to any third party is strictly forbidden.



BLOWING
AIRFLOW DIRECTION
SMER ZRAKA



Standardna vezava je TRIKOT Δ
 V primeru vezave ZVEZDA Y
 glej nalepko v pokrovu
 Standard connection scheme is DELTA Δ
 If required STAR Y see the
 connection diagram in the cover



CONNECTION OPTIONS:

L1	L2	L3	PE	Protection device	Join together	Winding connection
U1	V1	W1	PE	TK, TK	[U1,W2] [V1,U2] [W1,V2]	DELTA (Δ) - high speed (STANDARD)
U1	V1	W1	PE	TK, TK	[U2,V2,W2]	STAR (Y) - low speed

* CHANGING OF ROTATION DIRECTION BY INTERCHANGING OF 2 PHASES!
 * WITHOUT BRIDGES WHEN USING SPEED-CHANGE OVER SWITCH!
 * TEMPERATURE MONITORS (TK) BUILT IN TO THE WINDING, SERVE AS MOTOR CUT-OUT SWITCH AND MUST BE CONNECTED TO THE OUTSIDE CONTROL UNIT!

Opombe:
VENTILATOR NEBARVAN
Not coloured fan

Vzmetna ploščica na kabelski strani
 - navodilo za kontrolo ventilatorja 0301-1-4965
 - checking instructions 0301-1-4965

Hidria MADE IN SLOVENIA DATE
 R13R-4530HP-6T2-5065 0313-4-1181
 3~400V D/Y 50Hz 170/105W 0,70/0,23A
 940/840RPM IP54 INS.CL.155
 TH.PROT. ROT.

AA	AA	Prva izdaja. Risba v Windchillu je skladna z risbo v arhivu.	14.09.2017	Uroš K.
Verzija artikla:	Verzija risbe:	Opis spremembe:	Datum:	Izdelal:
Article revision:	DRW Revision:	Description of change:	Date:	Produced:
KONSTRUIRAL / DRN:	14.09.2017	Uroš Kunc		
ODOBRIL / APP:				
V potrjevanju/Pending		NAZIV: TITILE: VENTILATOR R13R-4530HP-6T2-5065		
KODA MATERIALA MATERIAL CODE		KODA: CODE:		
MASA: MASS:		VERZIJA ARTIKLA: REVISION ARTICLE:		
NETOL. MERE/UNTOL DIM ISO 2768-m		0313-4-1181		
MERILO/FORMAT 33:100/A3		AA		
DZJ		VERZIJA RISBE: DRW REVISION:		
		AA		
		LIST/SHEET: 1/1		