



InvoTech

YM/YF series Scroll Compressors

**Special Design For
Mid Temp. and Lower Temp.
Application**

*It is the outstanding engineering capability
that builds the incomparable reliability*





Invotech Scroll Technologies Co., Ltd.

is a high-tech company.

Our company is founded by a group of engineers who formerly worked for the world's largest manufacturer of scroll compressors. We are a team of passionate and highly qualified professionals with more than 15 years of experience in this industry. Our company's products in addition to impressive sales performance in the domestic market, also sales to Asia, Africa, Europe, South America and other more than 30 countries and regions.

Our company provides specialized scroll compressors and related technical consulting services for heat pump water heaters, refrigeration and air conditioning, chillers and other applications. We are willing to provide our customers with jointly developed or Turn-Key solutions to meet their needs.

Our vision: to become a global first class solution provider by providing innovative products for the climate and energy industries.

For more information please visit:

www.invotech.biz



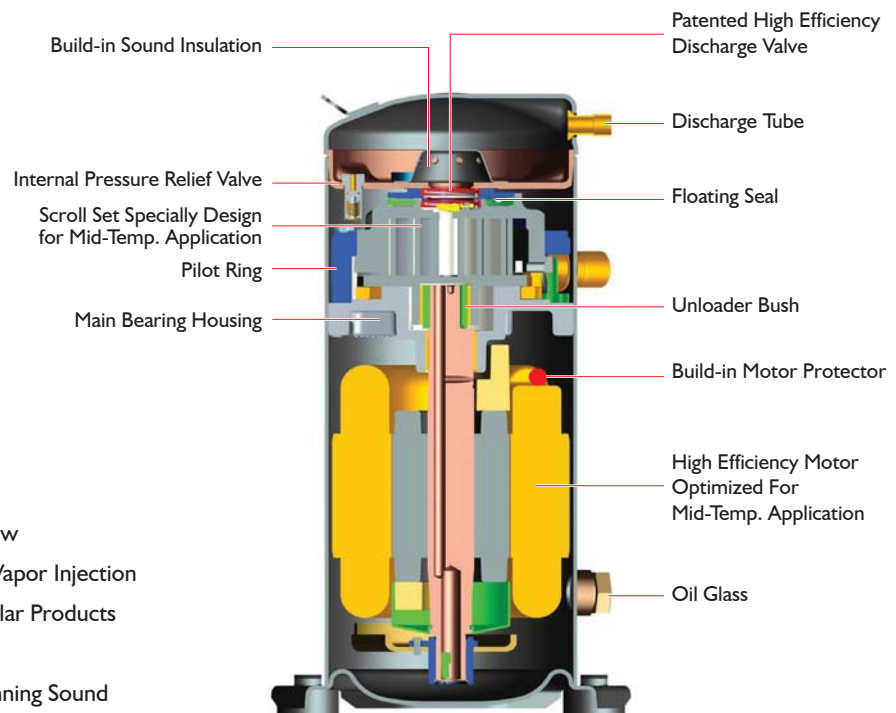
<i>Product Features</i>	1
<i>Models</i>	3
<i>Nomenclature</i>	4
<i>Technical Specifications</i>	
YM R22	5
R404A	7
YF R22	9
R404A	10
<i>Operating Envelope</i>	11
<i>Capacity</i>	
YM R22	13
R404A	17
YF R22	21
R404A	23
<i>Dimensions</i>	25

*It is the outstanding engineering capability
that builds the incomparable reliability*

YM Series

Scroll Compressors With Dual-Compliance For Mid. Temp. Application

- Specific Design for Refs. Application, Not Only the Scroll Set But Also the Unit, Precise Product-Definition Based on Customer's Need
- Both Build-in Radius and Axial Compliances Design, Improved Floating Seal Design for Better Energy Efficiency
- Excellent Discharge Temperature Management to Stretch Operation Envelope
- Accurate Calculation of Load and Sealing Force for Running Sound Optimization
- High Efficiency Motor Design



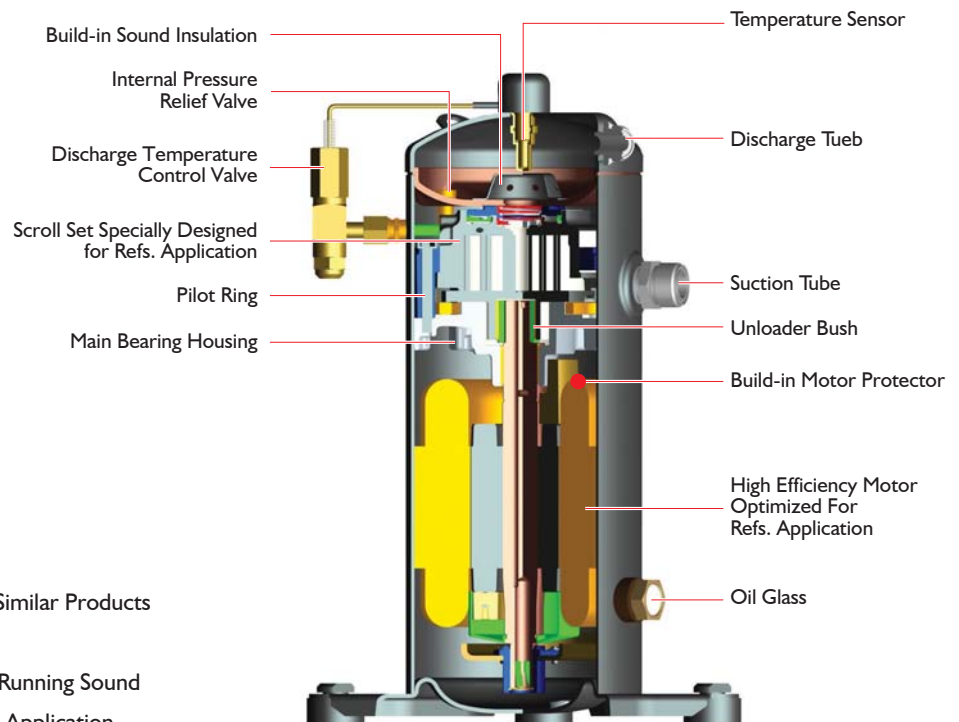
Features

- Be Capable of Running Perfectly at as low as -15°C Evap. Temp. Without Liquid / Vapor Injection
- 15% Better in terms of COP Than Similar Products in The Market
- Build-in Sound Insulation to Reduce Running Sound
- Scroll Design of Higher Build-in Compression Ratio For Refs. Application
- Optimized Floating Seal Design for Better COP
- Multiple Internal Protections
 - High Pressure Protection
 - Overload Protection

YF Series

Scroll Compressors With Dual-Compliance For Low Temp. Application

- Specific Design for Refs. Application, Not Only the Scroll Set But Also the Unit, Precise Product-Definition Based on Customer's Need
- Both Build-in Radius and Axial Compliances Design, Improved Floating Seal Design for Better Energy Efficiency
- Excellent Discharge Temperature Management to Stretch Operation Envelope
- Accurate Calculation of Load and Sealing Force for Running Sound Optimization
- High Efficiency Motor Design

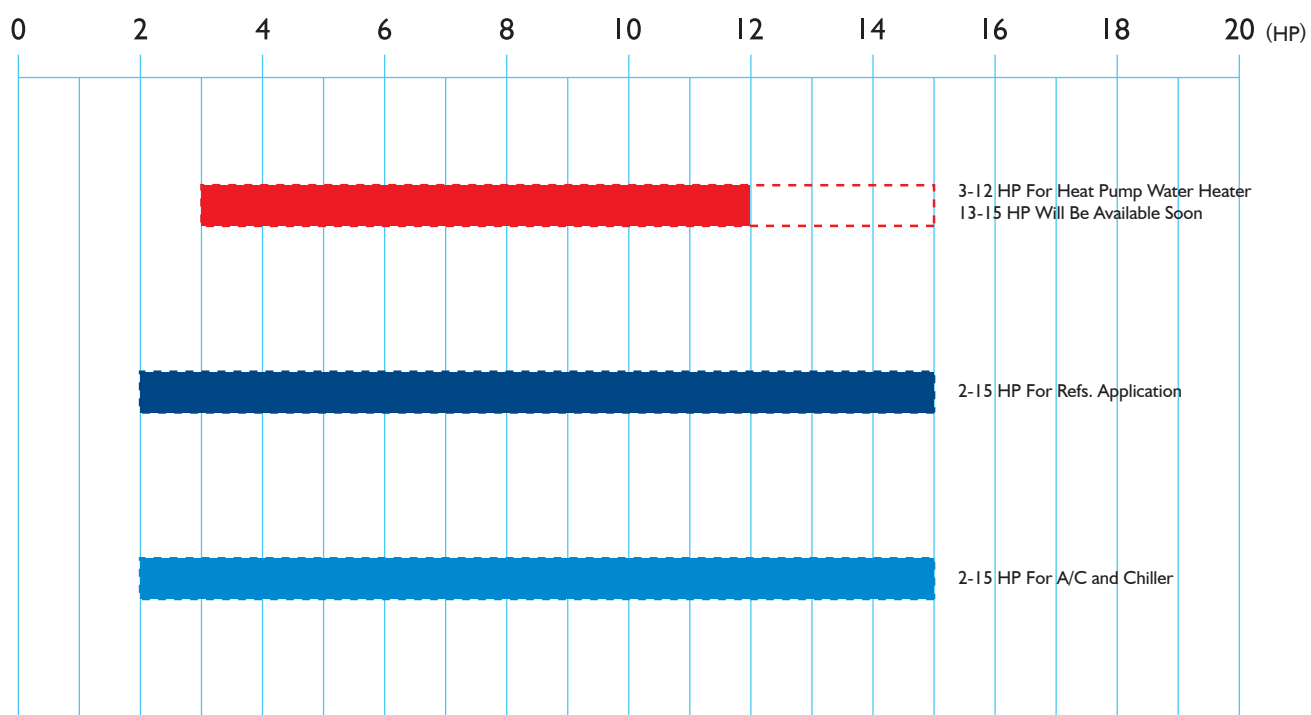


Features

- Be Capable of Running Perfectly at as low as -40°C Evap. Temp.
- 20% Better in Terms of COP Than Similar Products in The Market
- Build-in Sound Insulation to Reduce Running Sound
- Truly Specific Scroll Design For Refs. Application
- Optimized Floating Seal Design for Better COP
- Multiple Internal Protections
 - High Pressure Protection
 - Overload Protection

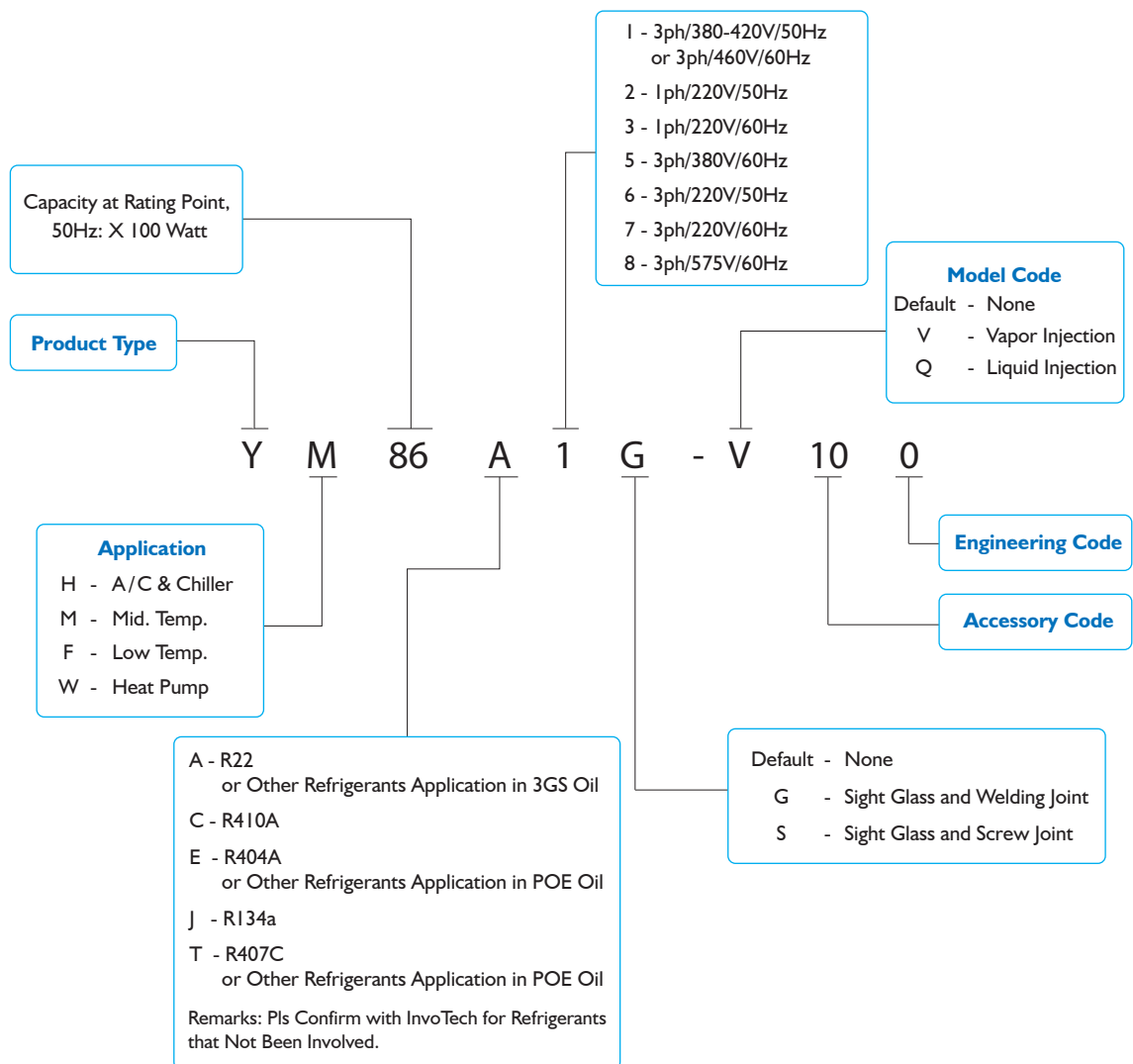
YM/YF Series

Models



YM/YF Series

Nomenclature



Model	YM34A 2G-100	YM43A 2G-100	YM49A 2G-100	YM70A 2G-100	YM34A 1G-100	YM43A 1G-100	YM49A 1G-100	YM70A 1G-100	YM86A 1G-100	YM102A 1G-100
Electricity	220V/50Hz/1P				380V/50Hz/3P					
	Single Phase				3 Phase					
Power in Horse Power (HP)	2	2.5	3	4	2	2.5	3	4	5	6
Displacement (M ³ /H)	5.8	7.3	8.1	11.8	5.8	7.3	8.1	11.8	14.5	17.1
Refrigerant	R22									
Capacity (W)	3600	4300	4900	7000	3600	4300	4900	7000	8600	10200
Power in Watt (W)	1820	2130	2300	3180	1800	2030	2250	3120	3740	4430
Running Current (A)	8.6	10.1	10.9	15.1	3.2	4.7	4.9	6.4	7.6	8.5
COP (W/W)	1.98	2.02	2.13	2.21	2.02	2.14	2.20	2.26	2.29	2.30
LRA (A)	76	76	76	109	22	45	45	60	60	65
MOC (A)	15.2	16.2	18	26.5	4.9	6.1	6.5	9.7	11.5	13.5
Crankcase Heater (W)	70									
Fitting Dimensions (Inch)										
Discharge Tube (OD)	1/2									
Suction Tube (OD)	7/8									
Product Dimensions(MM)										
Length (L)	239									
Width (W)	239									
Height (H)	418									
Feet Dimensions (Hole)	190X190(8.5)									
Oil Type	3GS									
Initial Charge Volume(L)	1.4									
Recharge Volume(L)	1.25									
Max Operating Pressure(MPa)										
High Side	3.0									
Low Side	2.0									
Weight(kg)	31	31	31	33	29	30	30	31	31	33

E.T. -6.7°C, C.T. 48.9°C, R.G. 4.4°C, No Subcooling

Model	YM125A1G-00	YM132A1G-100	YM158A1G-100	YM182A1G-100	YM200A1G-100	YM210A1G-100
Electricity	380V/50Hz/3P 3 Phase					
Power in Horse Power (HP)	7	8	9	10	12	13
Displacement (M ³ /H)	20.1	21.4	25.3	29.1	32.9	34.3
Refrigerant	R22					
Capacity (W)	12500	13200	16219	18200	20000	21000
Power in Watt (W)	5430	5690	6991	7745	8510	8860
Running Current (A)	11.0	11.2	12.7	13.6	14.9	15.7
COP (W/W)	2.30	2.32	2.32	2.35	2.35	2.37
LRA (A)	117	117	117	121	121	121
MOC (A)	16.3	17.4	19.8	22.3	25.0	26.0
Crankcase Heater (W)	90					
Fitting Dimensions (Inch)						
Discharge Tube (OD)	7/8					
Suction Tube (OD)	1 1/8					
Product Dimensions(MM)						
Length (L)	260					
Width (W)	244					
Height (H)	508					
Feet Dimensions (Hole)	190 X 190 (8.5)					
Oil Type	3GS					
Initial Charge Volume(L)	2.7					
Recharge Volume(L)	2.6					
Max Operating Pressure(MPa)						
High Side	3.0					
Low Side	2.0					
Weight(kg)	53	53	53	54	54	54

E.T. -6.7°C, C.T. 48.9°C, R.G. 4.4°C, No Subcooling

Model	YM34E 2G-100	YM43E 2G-100	YM49E 2G-100	YM70E 2G-100	YM34E 1G-100	YM43E 1G-100	YM49E 1G-100	YM70E 1G-100	YM86E 1G-100	YM102E 1G-100
Electricity	220V/50Hz/1P				380V/50Hz/3P					
	Single Phase				3 Phase					
Power in Horse Power (HP)	2	2.5	3	4	2	2.5	3	4	5	6
Displacement (M ³ /H)	5.8	7.3	8.1	11.8	5.8	7.3	8.1	11.8	14.5	17.1
Refrigerant	R404A									
Capacity (W)	3560	4250	4840	6920	3560	4250	4840	6920	8500	10100
Power in Watt (W)	1958	2254	2550	3601	1920	2210	2500	3530	4250	5050
Running Current (A)	9.8	11.3	11.8	16.9	3.5	4.8	5.1	7.0	8.0	9.4
COP (W/W)	1.82	1.89	1.90	1.92	1.85	1.92	1.94	1.96	2.00	2.00
LRA (A)	76	76	76	109	22	45	45	60	60	65
MOC (A)	16.2	17.2	19.0	28.1	5.2	6.4	6.9	10.5	12.2	14.3
Crankcase Heater (W)	70									
Fitting Dimensions (Inch)										
Discharge Tube (OD)	1/2									
Suction Tube (OD)	7/8									
Product Dimensions(MM)										
Length (L)	239									
Width (W)	239									
Height (H)	418									
Feet Dimensions (Hole)	190X190(8.5)									
Oil Type	POE									
Initial Charge Volume(L)	1.4									
Recharge Volume(L)	1.25									
Max Operating Pressure(MPa)										
High Side	3.0									
Low Side	2.0									
Weight(kg)	31	31	31	33	29	30	30	31	31	33

E.T. -6.7°C, C.T. 48.9°C, R.G. 4.4°C, No Subcooling

Model	YM125E1G-100	YM132E1G-100	YM158E1G-100	YM182E1G-100	YM200E1G-100	YM210E1G-100
Electricity	380V/50Hz/3P 3 Phase					
Power in Horse Power (HP)	7	8	9	10	12	13
Displacement (M ³ /H)	20.1	21.4	25.3	29.1	32.9	34.3
Refrigerant	R404A					
Capacity (W)	12240	12893	15842	17856	19536	20544
Power in Watt (W)	6070	6330	7765	8692	9510	9950
Running Current (A)	11.8	12.1	13.6	15.5	16.3	16.9
COP (W/W)	2.02	2.04	2.04	2.05	2.05	2.06
LRA (A)	117	117	117	121	121	121
MOC (A)	17.5	18.4	21.0	23.6	26.5	27.6
Crankcase Heater (W)	90					
Fitting Dimensions (Inch)						
Discharge Tube (OD)	7/8					
Suction Tube (OD)	1 1/8					
Product Dimensions(MM)						
Length (L)	260					
Width (W)	244					
Height (H)	508					
Feet Dimensions (Hole)	190 X 190(8.5)					
Oil Type	POE					
Initial Charge Volume(L)	2.7					
Recharge Volume(L)	2.6					
Max Operating Pressure(MPa)						
High Side	3.0					
Low Side	2.0					
Weight(kg)	53	53	53	54	54	54

E.T. -6.7°C, C.T. 48.9°C, R.G. 4.4°C, No Subcooling

Model	YF13A2G -Q100	YF17A2G -Q100	YF20A2G -Q100	YF29A2G -Q100	YF13A1G -Q100	YF17A1G -Q100	YF20A1G -Q100	YF29A1G -Q100	YF35A1G -Q100	YF41A1G -Q100
Electricity	220V/50Hz/1P				380V/50Hz/3P					
	Single Phase				3 Phase					
Power in Horse Power(HP)	2	2.5	3	4	2	2.5	3	4	5	6
Displacement (M ³ /H)	5.8	7.3	8.1	11.8	5.8	7.3	8.1	11.8	14.5	17.1
Refrigerant	R22									
Capacity (W)	1300	1660	1950	2950	1300	1660	1950	2950	3500	4100
Power in Watt (W)	1170	1500	1750	2410	1160	1470	1710	2360	2710	3150
Running Current (A)	5.5	7.1	8.3	11.4	2.3	2.7	4.3	5.0	6.3	6.5
COP (W/W)	1.10	1.11	1.11	1.22	1.12	1.13	1.14	1.25	1.29	1.30
LRA (A)	76	76	76	109	22	22	45	60	60	60
MOC (A)	12.6	13.4	15.3	22.0	3.6	4.2	5.5	8.4	9.8	11.5
Crankcase Heater (W)	70									
Fitting Dimensions (Inch)										
Discharge Tube (OD)	1/2									
Suction Tube (OD)	7/8									
Product Dimensions(MM)										
Length (L)	239									
Width (W)	239									
Height (H)	418									
Feet Dimensions (Hole)	190X190(8.5)									
Oil Type	3GS									
Initial Charge Volume(L)	1.4									
Recharge Volume(L)	1.25									
Max Operating Pressure(MPa)										
High Side	3.0									
Low Side	2.0									
Weight(kg)	31	31	31	33	30	30	30	32	32	33

E.T. -31.6°C, C.T. 40.6°C, R.G. 4.4°C, No Subcooling

Model	YF13E2G -Q100	YF17E2G -Q100	YF20E2G -Q100	YF29E2G -Q100	YF13E1G -Q100	YF17E1G -Q100	YF20E1G -Q100	YF29E1G -Q100	YF35E1G -Q100	YF41E1G -Q100
Electricity	220V/50Hz/1P				380V/50Hz/3P					
	Single Phase				3 Phase					
Power in Horse Power(HP)	2	2.5	3	4	2	2.5	3	4	5	6
Displacement (M ³ /H)	5.8	7.3	8.1	11.8	5.8	7.3	8.1	11.8	14.5	17.1
Refrigerant	R404A									
Capacity (W)	1540	1970	2320	3510	1540	1970	2330	3510	4110	4960
Power in Watt (W)	1290	1650	1920	2650	1280	1620	1880	2600	2980	3470
Running Current (A)	6.1	7.8	9.1	12.5	2.5	2.9	4.5	5.3	6.6	7.0
COP (W/W)	1.18	1.19	1.21	1.32	1.20	1.22	1.24	1.35	1.38	1.43
LRA (A)	76	76	76	109	22	22	45	60	60	60
MOC (A)	13.4	14.2	16.2	23.3	3.8	4.4	5.8	8.8	10.3	12.1
Crankcase Heater (W)	70									
Fitting Dimensions (Inch)										
Discharge Tube (OD)	1/2									
Suction Tube (OD)	7/8									
Product Dimensions(MM)										
Length (L)	239									
Width (W)	239									
Height (H)	418									
Feet Dimensions (Hole)	190X190(8.5)									
Oil Type	POE									
Initial Charge Volume(L)	1.4									
Recharge Volume(L)	1.25									
Max Operating Pressure(MPa)										
High Side	3.0									
Low Side	2.0									
Weight(kg)	31	31	31	33	30	30	30	32	32	33

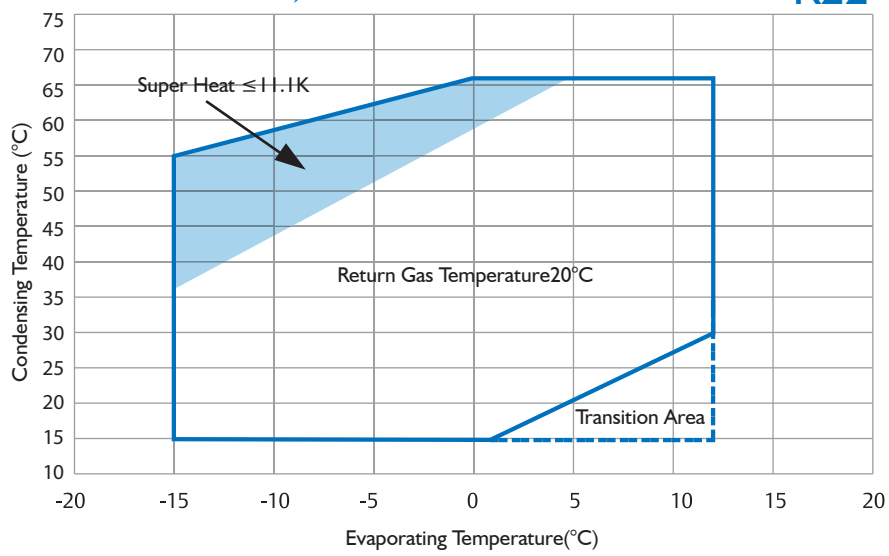
E.T. -31.6°C, C.T. 40.6°C, R.G. 4.4°C, No Subcooling

YM Series

Operating Envelope

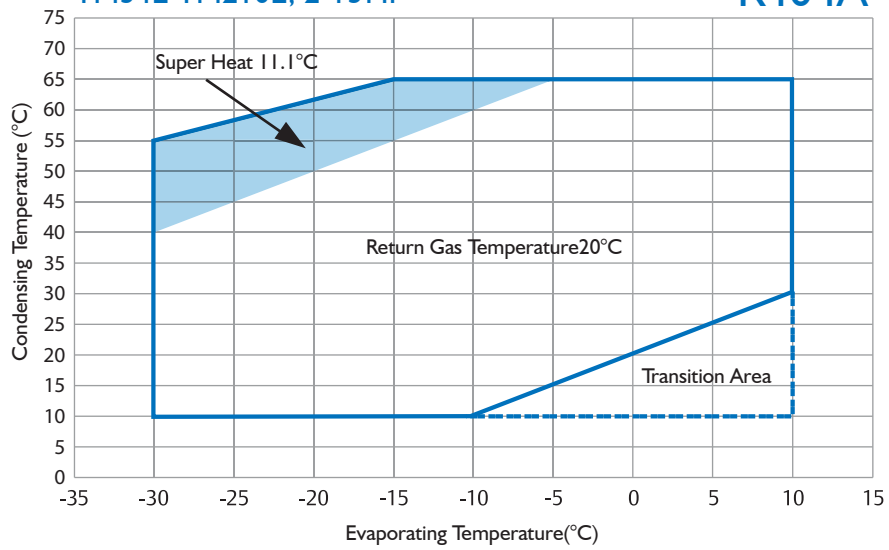
YM34A-YM210A, 2-13HP

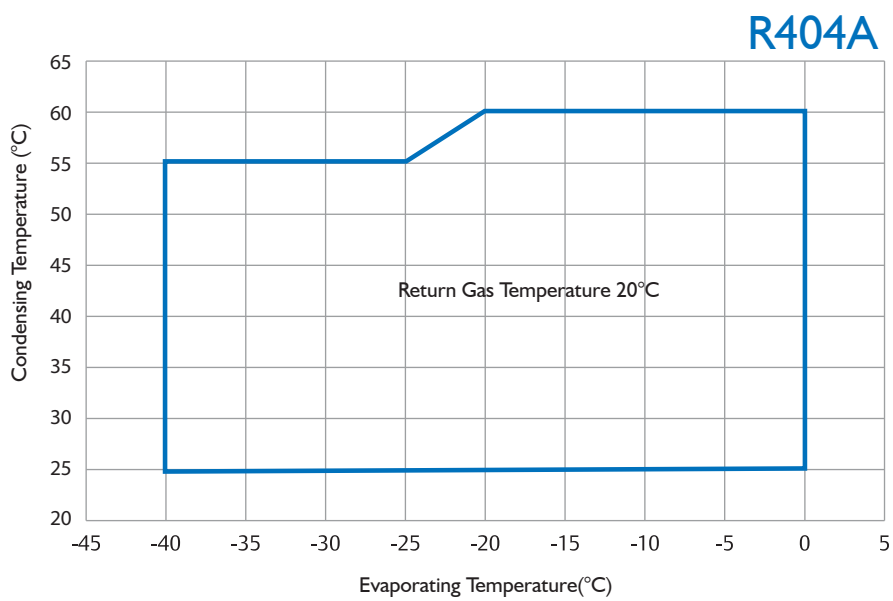
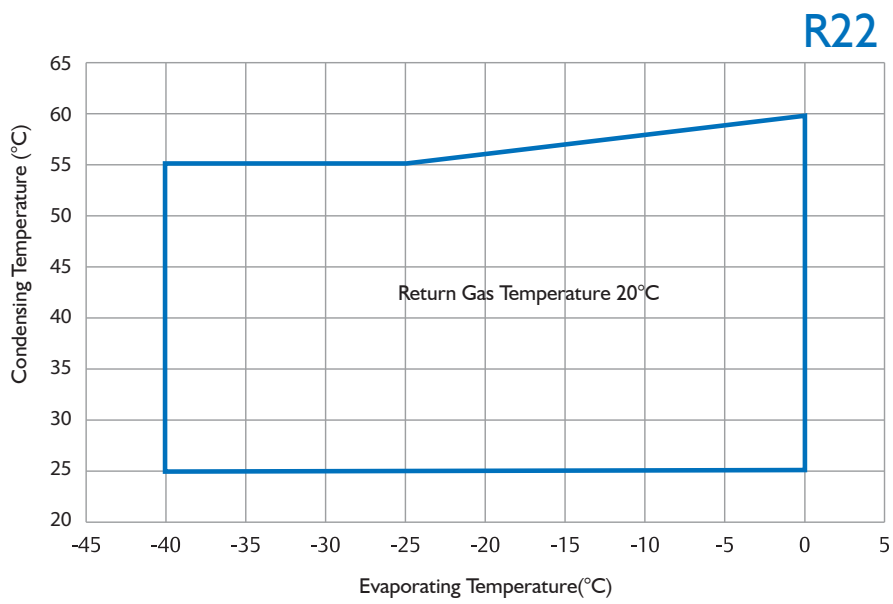
R22



YM34E-YM210E, 2-13HP

R404A





Model	C.T. (°C)	E.T.(°C)						
		-15	-10	-5	0	5	10	
YM34AIG-100	Capacity (W)	60		2752	3514	4140	4877	5733
		50	2459	3017	3966	4751	5618	6578
		40	3078	3760	4541	5400	6313	7296
	Watt (W)	30	3491	4216	5012	5861	6741	7669
		60		1974	2071	2153	2229	2308
		50	1608	1687	1753	1814	1879	1957
		40	1370	1426	1479	1537	1608	1701
		30	1154	1206	1263	1335	1430	1556
		60		3288	4033	4751	5597	6579
YM43AIG-100	Capacity (W)	50	2822	3462	4551	5453	6447	7549
		40	3533	4315	5212	6197	7245	8373
		30	4006	4838	5752	6726	7736	8800
	Watt (W)	60		2272	2383	2478	2566	2657
		50	1851	1942	2018	2088	2163	2252
		40	1577	1642	1702	1769	1851	1958
		30	1329	1388	1454	1536	1646	1791
		60		3746	4783	5635	6638	7803
		YM49AIG-100	Capacity (W)	50	3346	4106	5398	6467
40	4190			5118	6181	7349	8593	9931
30	4751			5738	6822	7977	9175	10438
Watt (W)	60			2565	2690	2797	2896	2999
	50		2089	2192	2278	2357	2441	2542
	40		1780	1853	1922	1997	2089	2210
	30		1500	1567	1641	1734	1858	2022
	60			5352	6833	8050	9483	11147
	YM70AIG-100		Capacity (W)	50	4781	5866	7712	9239
40		5986		7312	8830	10499	12275	14187
30		6788		8197	9746	11396	13108	14911
Watt (W)		60		3560	3733	3881	4019	4162
		50	2900	3042	3161	3271	3388	3528
		40	2470	2572	2667	2771	2899	3067
		30	2081	2174	2277	2407	2578	2806
		60		6575	8394	9890	11651	13695
		YM86AIG-100	Capacity (W)	50	5873	7207	9474	11350
40	7354			8983	10849	12899	15081	17430
30	8339			10070	11974	14001	16104	18319
Watt (W)	60			4287	4497	4675	4841	5013
	50		3492	3664	3807	3940	4081	4249
	40		2975	3097	3212	3337	3492	3694
	30		2507	2618	2743	2899	3105	3380

Capacity @ 20°C Return Gas Temperature, No Sub Cooling

Capacity @ 11.1K Super Heat, No Sub Cooling

Model	C.T. (°C)	E.T.(°C)								
		-15	-10	-5	0	5	10			
YMI02AIG-100	Capacity (W)	60		7798	9956	11730	13819	16243		
		50	6966	8547	11237	13462	15918	18638		
		40	8722	10654	12867	15299	17887	20673		
	Watt (W)	30	9891	11944	14201	16605	19100	21728		
		60		5085	5333	5544	5741	5945		
		50	4142	4346	4515	4673	4840	5040		
		40	3528	3674	3810	3958	4142	4382		
		30	2973	3106	3253	3438	3683	4008		
		YMI25AIG-100	Capacity (W)	60		9557	12201	14376	16935	19906
				50	8537	10475	13771	16498	19507	22841
40	10689			13056	15769	18749	21920	25334		
Watt (W)	30		12121	14637	17404	20350	23406	26627		
	60			6294	6601	6863	7106	7359		
	50		5127	5379	5589	5784	5991	6238		
	40		4367	4547	4715	4899	5126	5423		
	30		3680	3844	4027	4256	4558	4961		
	YMI32AIG-100		Capacity (W)	60		10092	12884	15181	17883	21021
				50	9015	11061	14542	17422	20600	24120
40		11287		13788	16652	19799	23148	26753		
Watt (W)		30	12800	15457	18378	21489	24717	28118		
		60		6647	6971	7247	7504	7771		
		50	5414	5680	5902	6108	6326	6587		
		40	4611	4802	4979	5174	5413	5727		
		30	3886	4059	4252	4494	4813	5239		
		YMI58AIG-100	Capacity (W)	60		12386	15813	18631	21947	25798
				50	11064	13575	17847	21381	25282	29601
40	13852			16921	20436	24298	28409	32833		
Watt (W)	30		15709	18970	22555	26373	30335	34508		
	60			8157	8555	8894	9210	9537		
	50		6645	6971	7243	7496	7764	8085		
	40		5659	5893	6111	6349	6643	7029		
	30		4769	4982	5219	5515	5907	6430		
	YMI82AIG-100		Capacity (W)	60		13915	17765	20931	24657	28983
				50	12430	15251	20050	24021	28403	33256
40		15563		19010	22959	27298	31916	36887		
Watt (W)		30	17648	21312	25340	29629	34080	38769		
		60		9073	9516	9893	10244	10608		
		50	7391	7755	8057	8338	8636	8993		
		40	6295	6555	6798	7063	7390	7818		
		30	5305	5541	5805	6135	6571	7152		

Capacity @ 20°C Return Gas Temperature, No Sub Cooling

Capacity @ 11.1K Super Heat, No Sub Cooling

YM Series

Capacity

R22

Model	C.T. (°C)	E.T.(°C)							
		-15	-10	-5	0	5	10		
YM200AIG-100	Capacity (W)	60		15291	19522	23001	27096	31850	
		50	13659	16760	22033	26396	31212	36545	
		40	17102	20890	25230	29998	35073	40535	
		30	19393	23420	27846	32560	37450	42603	
	Watt (W)	60		9971	10457	10872	11257	11658	
		50	8122	8521	8854	9162	9491	9882	
		40	6918	7203	7470	7761	8121	8592	
		30	5829	6090	6379	6742	7221	7860	
		Capacity (W)	60		15750	20107	23691	27908	32805
			50	14069	17262	22694	27188	32148	37641
40	17615		21517	25987	30898	36125	41751		
30	19975		24122	28681	33537	38574	43881		
Watt (W)	60		10270	10771	11198	11595	12007		
	50	8366	8777	9119	9437	9775	10179		
	40	7125	7419	7694	7994	8364	8849		
	30	6004	6272	6570	6944	7437	8096		

Capacity @ 20°C Return Gas Temperature, No Sub Cooling

Capacity @ 11.1K Super Heat, No Sub Cooling

Model	C.T. (°C)	E.T.(°C)							
		-15	-10	-5	0	5	10		
YM34A2G-100	Capacity (W)	60		2752	3514	4140	4877	5733	
		50	2459	3017	3966	4751	5618	6578	
		40	3078	3760	4541	5400	6313	7296	
	Watt (W)	60		2014	2112	2196	2274	2354	
		50	1640	1721	1788	1850	1917	1996	
		40	1397	1455	1509	1567	1640	1735	
	YM43A2G-100	Capacity (W)	60		3288	4033	4751	5597	6579
			50	2822	3462	4551	5453	6447	7549
			40	3533	4315	5212	6197	7245	8373
Watt (W)		60		2318	2431	2527	2617	2710	
		50	1888	1981	2058	2130	2206	2297	
		40	1608	1674	1736	1804	1888	1997	
YM49A2G-100		Capacity (W)	60		3746	4783	5635	6638	7803
			50	3346	4106	5398	6467	7647	8954
			40	4190	5118	6181	7349	8593	9931
	Watt (W)	60		2616	2744	2853	2954	3059	
		50	2131	2236	2323	2404	2490	2593	
		40	1815	1890	1960	2037	2131	2254	
	YM70A2G-100	Capacity (W)	60		5352	6833	8050	9483	11147
			50	4781	5866	7712	9239	10924	12791
			40	5986	7312	8830	10499	12275	14187
Watt (W)		60		3631	3808	3959	4099	4245	
		50	2958	3103	3224	3336	3456	3598	
		40	2519	2623	2720	2826	2957	3129	
			30	2123	2217	2323	2455	2629	2862

Capacity @ 20°C Return Gas Temperature, No Sub Cooling

Capacity @ 11.1K Super Heat, No Sub Cooling

Model	C.T. (°C)	E.T.(°C)									
		-30	-25	-20	-15	-10	-5	0	5	10	
YM34EIG-100	Capacity (W)	60			2149	2185	2520	3133	4003	5110	6433
		50	1520	1624	1883	2369	3061	3938	4981	6168	7480
		40	1612	2001	2637	3408	4293	5271	6323	7428	8565
	Watt (W)	30	2043	2829	3679	4571	5485	6401	7298	8157	8955
		60			2295	2430	2498	2522	2527	2538	2579
		50	1568	1770	1879	1922	1921	1902	1888	1906	1978
		40	1310	1412	1446	1438	1411	1391	1401	1467	1612
		30	1039	1082	1084	1067	1057	1077	1154	1310	1570
		60			2686	2732	3150	3916	5004	6387	8041
YM43EIG-100	Capacity (W)	50	1900	2030	2354	2961	3826	4923	6226	7710	9350
		40	2015	2501	3297	4260	5366	6589	7904	9285	10706
		30	2553	3537	4599	5714	6857	8001	9123	10196	11194
	Watt (W)	60			2814	2980	3063	3092	3099	3112	3163
		50	1922	2170	2304	2356	2355	2332	2316	2337	2425
		40	1607	1731	1773	1763	1731	1706	1718	1799	1977
		30	1274	1327	1329	1308	1295	1321	1414	1606	1926
		60			2924	2975	3430	4264	5448	6955	8756
		YM49EIG-100	Capacity (W)	50	2069	2211	2563	3224	4166	5360	6779
40	2194			2724	3590	4639	5843	7175	8606	10110	11658
30	2780			3851	5007	6222	7466	8713	9934	11102	12189
Watt (W)	60				3049	3229	3319	3351	3358	3373	3427
	50		2083	2351	2497	2553	2552	2527	2509	2532	2628
	40		1741	1876	1922	1911	1875	1848	1862	1949	2142
	30		1380	1438	1440	1417	1404	1431	1533	1740	2087
	60				4178	4249	4901	6092	7783	9935	12509
	YM70EIG-100		Capacity (W)	50	2956	3158	3662	4606	5951	7657	9685
40		3134		3891	5128	6627	8347	10250	12295	14443	16654
30		3972		5501	7154	8888	10666	12447	14191	15860	17413
Watt (W)		60			4314	4568	4695	4740	4750	4771	4848
		50	2947	3326	3532	3612	3611	3575	3550	3582	3717
		40	2463	2654	2719	2703	2653	2615	2634	2757	3030
		30	1952	2034	2037	2005	1986	2025	2168	2462	2952
		60			5133	5221	6021	7484	9562	12206	15368
		YM86EIG-100	Capacity (W)	50	3632	3880	4499	5659	7311	9407	11898
40	3850			4780	6300	8141	10255	12593	15105	17744	20461
30	4879			6759	8789	10920	13104	15292	17435	19485	21393
Watt (W)	60				5221	5529	5683	5738	5750	5775	5869
	50		3567	4026	4276	4372	4370	4327	4296	4335	4499
	40		2981	3212	3291	3272	3211	3165	3188	3337	3668
	30		2363	2462	2465	2427	2404	2451	2624	2980	3573

Capacity @ 20°C Return Gas Temperature, No Sub Cooling

Model	C.T. (°C)	E.T.(°C)									
		-30	-25	-20	-15	-10	-5	0	5	10	
YMI02EIG-100	Capacity (W)	60			6087	6192	7141	8877	11342	14477	18227
		50	4308	4601	5336	6712	8672	11158	14112	17477	21194
		40	4566	5670	7472	9656	12163	14935	17915	21045	24267
	Watt (W)	30	5787	8016	10424	12951	15542	18137	20679	23110	25373
		60			6193	6558	6740	6805	6820	6849	6960
		50	4230	4775	5071	5185	5184	5132	5096	5142	5337
		40	3536	3810	3903	3880	3808	3753	3781	3958	4350
		30	2803	2921	2924	2879	2851	2907	3113	3534	4238
		60			7460	7588	8751	10878	13899	17742	22337
YMI25EIG-100	Capacity (W)	50	5279	5639	6539	8225	10627	13674	17294	21418	25973
		40	5596	6948	9157	11833	14906	18303	21955	25791	29739
		30	7092	9824	12774	15872	19046	22226	25342	28321	31094
	Watt (W)	60			7513	7956	8177	8256	8274	8310	8445
		50	5132	5793	6153	6291	6289	6226	6182	6239	6474
		40	4290	4623	4735	4708	4621	4554	4588	4802	5278
		30	3400	3543	3547	3492	3459	3527	3776	4288	5141
		60			7729	7862	9067	11271	14400	18381	23142
		50	5469	5842	6775	8522	11010	14167	17917	22190	26910
YMI32EIG-100	Capacity (W)	40	5798	7198	9487	12260	15443	18963	22746	26720	30811
		30	7348	10178	13235	16444	19733	23028	26255	29342	32215
		60			7784	8243	8472	8554	8572	8609	8749
	Watt (W)	50	5317	6002	6374	6518	6516	6450	6405	6463	6708
		40	4445	4789	4906	4877	4787	4718	4753	4975	5468
		30	3523	3671	3675	3618	3584	3654	3913	4443	5327
		60			9430	9592	11062	13750	17568	22426	28234
		50	6673	7128	8265	10397	13433	17283	21860	27072	32830
		40	7073	8782	11575	14957	18841	23135	27751	32600	37591
YMI58EIG-100	Capacity (W)	30	8964	12417	16147	20062	24074	28094	32032	35798	39303
		60			9496	10056	10336	10436	10458	10504	10674
		50	6487	7322	7777	7952	7949	7870	7815	7886	8184
	Watt (W)	40	5422	5843	5985	5950	5840	5756	5799	6070	6671
		30	4298	4479	4484	4414	4372	4458	4773	5420	6499
		60			10301	10477	12083	15020	19191	24497	30841
		50	7289	7786	9029	11357	14673	18880	23879	29572	35863
		40	7727	9593	12644	16339	20581	25272	30314	35610	41063
		30	9792	13564	17638	21915	26298	30689	34990	39104	42933
YMI82EIG-100	Capacity (W)	60			10374	10985	11290	11400	11424	11474	11660
		50	7087	7999	8495	8687	8683	8596	8536	8614	8940
		40	5923	6383	6538	6500	6380	6288	6334	6631	7287
	Watt (W)	30	4695	4892	4898	4822	4776	4870	5214	5921	7099

Capacity @ 20°C Return Gas Temperature, No Sub Cooling

Model	C.T. (°C)	E.T.(°C)										
		-30	-25	-20	-15	-10	-5	0	5	10		
YM200E1G-100	Capacity (W)	60			12016	12223	14096	17522	22387	28577	35978	
		50	8503	9083	10533	13249	17117	22025	27856	34498	41836	
		40	9014	11191	14750	19060	24009	29481	35364	41542	47902	
	Watt (W)	30	11423	15824	20576	25565	30678	35801	40819	45618	50084	
		60			12101	12815	13171	13298	13327	13385	13602	
		50	8267	9331	9910	10133	10130	10028	9958	10049	10429	
	YM210E1G-100	Capacity (W)	40	6910	7446	7627	7583	7442	7335	7390	7735	8501
			30	5477	5707	5714	5625	5571	5681	6083	6907	8281
			60			12528	12743	14696	18268	23340	29794	37509
		Watt (W)	50	8865	9470	10981	13813	17846	22962	29041	35966	43616
			40	9397	11667	15377	19871	25030	30736	36869	43310	49941
			30	11909	16497	21451	26653	31984	37324	42555	47559	52216
Watt (W)		60			12616	13360	13731	13864	13894	13954	14181	
		50	8619	9728	10332	10565	10561	10455	10382	10476	10872	
		40	7204	7762	7951	7905	7759	7647	7704	8064	8863	
		30	5710	5950	5957	5865	5808	5922	6342	7201	8634	

Capacity @ 20°C Return Gas Temperature, No Sub Cooling

Model	C.T. (°C)	E.T.(°C)										
		-30	-25	-20	-15	-10	-5	0	5	10		
YM34E2G-100	Capacity (W)	60			2149	2185	2520	3133	4003	5110	6433	
		50	1520	1624	1883	2369	3061	3938	4981	6168	7480	
		40	1612	2001	2637	3408	4293	5271	6323	7428	8565	
	Watt (W)	60			2341	2479	2548	2572	2578	2589	2631	
		50	1599	1805	1917	1960	1959	1940	1926	1944	2017	
		40	1337	1440	1475	1467	1440	1419	1429	1496	1644	
	YM43E2G-100	Capacity (W)	60			2686	2732	3150	3916	5004	6387	8041
			50	1900	2030	2354	2961	3826	4923	6226	7710	9350
			40	2015	2501	3297	4260	5366	6589	7904	9285	10706
Watt (W)		60	2553	3537	4599	5714	6857	8001	9123	10196	11194	
		50	1961	2213	2351	2403	2403	2379	2362	2383	2473	
		40	1639	1766	1809	1799	1765	1740	1753	1835	2016	
YM49E2G-100		Capacity (W)	60			2924	2975	3430	4264	5448	6955	8756
			50	2069	2211	2563	3224	4166	5360	6779	8396	10182
			40	2194	2724	3590	4639	5843	7175	8606	10110	11658
	Watt (W)	60	2780	3851	5007	6222	7466	8713	9934	11102	12189	
		50	2125	2398	2547	2604	2603	2577	2559	2583	2680	
		40	1776	1914	1960	1949	1913	1885	1899	1988	2185	
	YM70E2G-100	Capacity (W)	60			4178	4249	4901	6092	7783	9935	12509
			50	2956	3158	3662	4606	5951	7657	9685	11994	14545
			40	3134	3891	5128	6627	8347	10250	12295	14443	16654
Watt (W)		60	3972	5501	7154	8888	10666	12447	14191	15860	17413	
		50	3006	3393	3603	3684	3683	3646	3621	3653	3792	
		40	2512	2707	2773	2757	2706	2667	2687	2812	3091	
			30	1991	2075	2077	2045	2026	2065	2212	2511	3011

Capacity @ 20°C Return Gas Temperature, No Sub Cooling

YF Series

Capacity

R22

Model	C.T. (°C)	E.T.(°C)									
		-40	-35	-30	-25	-20	-15	-10	-5	0	
YF13AIG-Q100	Capacity (W)	50	972	1234	1520	1910	2335	2845	3411	4035	4761
		40	1073	1359	1687	2099	2566	3119	3748	4433	5243
		30	1164	1464	1833	2267	2798	3372	4064	4788	5621
	Watt (W)	50	1396	1437	1474	1524	1569	1627	1680	1747	1808
		40	1193	1226	1260	1305	1347	1400	1450	1511	1569
		30	1020	1045	1075	1115	1161	1218	1273	1342	1413
YF17AIG-Q100	Capacity (W)	50	1162	1474	1816	2282	2789	3399	4074	4820	5686
		40	1281	1623	2015	2508	3065	3726	4477	5295	6263
		30	1391	1748	2189	2708	3342	4028	4854	5719	6713
	Watt (W)	50	1652	1701	1746	1804	1858	1926	1989	2068	2140
		40	1413	1452	1492	1545	1594	1657	1716	1789	1858
		30	1208	1237	1273	1320	1375	1442	1507	1589	1672
YF20AIG-Q100	Capacity (W)	50	1278	1621	1997	2510	3068	3738	4482	5302	6255
		40	1409	1786	2216	2758	3372	4098	4924	5824	6889
		30	1530	1923	2408	2979	3676	4431	5339	6291	7385
	Watt (W)	50	1886	1942	1993	2059	2121	2199	2271	2361	2444
		40	1613	1658	1703	1764	1820	1892	1959	2043	2121
		30	1379	1412	1453	1507	1570	1646	1720	1814	1909
YF29AIG-Q100	Capacity (W)	50	1914	2428	2992	3760	4595	5600	6713	7942	9370
		40	2111	2675	3320	4132	5051	6139	7376	8724	10319
		30	2292	2881	3607	4462	5506	6637	7998	9424	11062
	Watt (W)	50	2544	2619	2687	2777	2860	2965	3062	3183	3295
		40	2175	2235	2297	2378	2454	2551	2642	2754	2860
		30	1859	1904	1959	2032	2117	2220	2319	2446	2574
YF35AIG-Q100	Capacity (W)	50	2323	2947	3632	4564	5578	6797	8149	9640	11373
		40	2562	3247	4030	5015	6131	7452	8953	10589	12525
		30	2782	3497	4378	5416	6683	8056	9708	11439	13427
	Watt (W)	50	3010	3099	3179	3286	3384	3508	3623	3767	3899
		40	2573	2645	2718	2814	2904	3019	3126	3259	3384
		30	2199	2253	2318	2404	2504	2627	2744	2894	3046
YF41AIG-Q100	Capacity (W)	50	2783	3530	4350	5467	6682	8142	9761	11548	13623
		40	3069	3889	4827	6008	7344	8927	10725	12685	15004
		30	3332	4188	5244	6488	8006	9650	11629	13702	16084
	Watt (W)	50	3498	3602	3695	3819	3933	4078	4212	4378	4532
		40	2991	3074	3159	3271	3375	3509	3634	3788	3933
		30	2556	2619	2694	2795	2911	3053	3190	3364	3541

Capacity @ 20° C Return Gas Temperature, No Sub Cooling, Liquid Injection

Model	C.T. (°C)	E.T.(°C)									
		-40	-35	-30	-25	-20	-15	-10	-5	0	
YF13A2G-Q100	Capacity (W)	50	972	1234	1520	1910	2335	2845	3411	4035	4761
		40	1073	1359	1687	2099	2566	3119	3748	4433	5243
		30	1164	1464	1833	2267	2798	3372	4064	4788	5621
	Watt (W)	50	1424	1466	1504	1554	1601	1660	1714	1782	1844
		40	1217	1251	1285	1331	1374	1428	1479	1542	1601
		30	1040	1066	1096	1137	1185	1243	1298	1369	1441
YF17A2G-Q100	Capacity (W)	50	1162	1474	1816	2282	2789	3399	4074	4820	5686
		40	1281	1623	2015	2508	3065	3726	4477	5295	6263
		30	1391	1748	2189	2708	3342	4028	4854	5719	6713
	Watt (W)	50	1685	1735	1780	1840	1895	1965	2029	2109	2183
		40	1441	1481	1522	1576	1626	1690	1751	1825	1895
		30	1232	1262	1298	1346	1402	1471	1537	1621	1706
YF20A2G-Q100	Capacity (W)	50	1278	1621	1997	2510	3068	3738	4482	5302	6255
		40	1409	1786	2216	2758	3372	4098	4924	5824	6889
		30	1530	1923	2408	2979	3676	4431	5339	6291	7385
	Watt (W)	50	1921	1977	2029	2097	2159	2239	2312	2404	2488
		40	1642	1688	1734	1796	1853	1926	1995	2080	2159
		30	1404	1438	1479	1534	1598	1676	1751	1847	1944
YF29A2G-Q100	Capacity (W)	50	1891	2399	2956	3715	4540	5533	6633	7847	9257
		40	2086	2643	3280	4082	4990	6065	7288	8619	10195
		30	2264	2846	3563	4409	5440	6557	7902	9310	10929
	Watt (W)	50	2597	2674	2743	2835	2919	3027	3126	3250	3364
		40	2220	2282	2345	2428	2506	2605	2697	2812	2919
		30	1898	1944	2000	2074	2161	2266	2368	2497	2628

Capacity @ 20° C Return Gas Temperature, No Sub Cooling, Liquid Injection

YF Series

Capacity

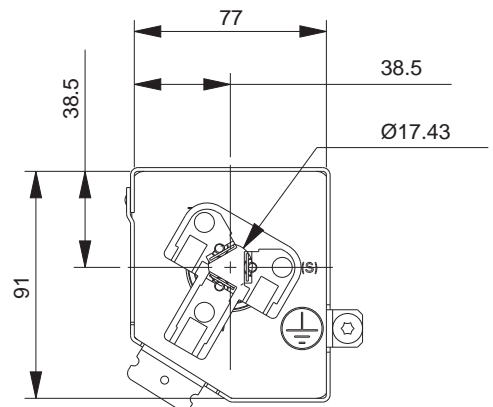
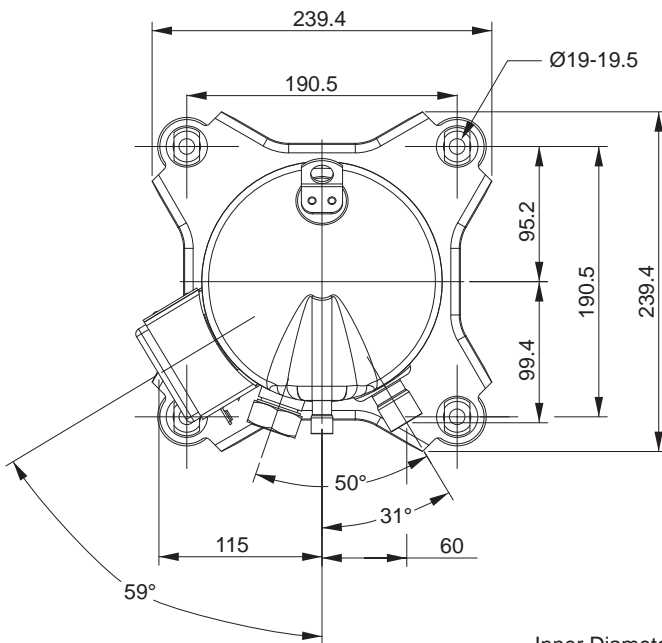
R404A

Model	C.T. (°C)	E.T.(°C)									
		-40	-35	-30	-25	-20	-15	-10	-5	0	
YF13EIG-Q100	Capacity (W)	50	969	1219	1531	1865	2258	2713	3210	3781	4404
		40	1132	1429	1783	2200	2697	3276	3940	4700	5558
		30	1279	1639	2034	2535	3095	3714	4399	5159	5998
	Watt (W)	50	1515	1599	1678	1748	1823	1900	1977	2055	2132
		40	1258	1323	1384	1445	1510	1573	1636	1699	1762
		30	1042	1094	1141	1197	1262	1332	1407	1487	1571
YF17EIG-Q100	Capacity (W)	50	1157	1456	1829	2227	2697	3240	3835	4516	5261
		40	1353	1707	2129	2628	3222	3913	4706	5614	6638
		30	1528	1958	2430	3028	3696	4437	5254	6163	7164
	Watt (W)	50	1797	1896	1991	2074	2163	2254	2346	2437	2529
		40	1492	1569	1641	1713	1791	1866	1941	2016	2091
		30	1237	1298	1353	1420	1497	1580	1669	1763	1863
YF20EIG-Q100	Capacity (W)	50	1273	1601	2012	2450	2967	3564	4218	4968	5787
		40	1488	1877	2342	2890	3544	4305	5177	6175	7302
		30	1681	2154	2673	3331	4066	4880	5861	7026	8322
	Watt (W)	50	1963	2073	2176	2266	2363	2463	2563	2663	2763
		40	1630	1715	1794	1873	1957	2039	2121	2203	2285
		30	1351	1418	1479	1551	1636	1727	1824	1927	2036
YF29EIG-Q100	Capacity (W)	50	1918	2412	3030	3691	4470	5370	6354	7484	8717
		40	2242	2828	3528	4354	5339	6485	7799	9303	11001
		30	2532	3244	4027	5018	6125	7352	8830	10585	12536
	Watt (W)	50	2766	2919	3064	3192	3329	3470	3611	3752	3892
		40	2296	2416	2527	2638	2757	2872	2988	3103	3218
		30	1904	1997	2083	2185	2305	2433	2569	2714	2868
YF35EIG-Q100	Capacity (W)	50	2315	2912	3657	4454	5395	6481	7669	9032	10521
		40	2705	3414	4259	5255	6444	7826	9412	11228	13277
		30	3056	3916	4860	6056	7393	8873	10657	12774	15130
	Watt (W)	50	3272	3454	3626	3777	3939	4106	4272	4439	4606
		40	2717	2858	2990	3121	3262	3399	3535	3671	3808
		30	2252	2363	2464	2586	2727	2879	3040	3212	3394
YF41EIG-Q100	Capacity (W)	50	2773	3488	4381	5336	6462	7763	9187	10819	12603
		40	3241	4089	5101	6295	7719	9375	11275	13450	15904
		30	3661	4691	5821	7255	8856	10629	12766	15303	18125
	Watt (W)	50	3804	4015	4214	4391	4578	4772	4966	5160	5353
		40	3158	3322	3475	3628	3792	3950	4109	4267	4426
		30	2618	2747	2864	3005	3170	3346	3534	3733	3944

Capacity @ 20° C Return Gas Temperature, No Sub Cooling, Liquid Injection

Model	C.T. (°C)	E.T.(°C)									
		-40	-35	-30	-25	-20	-15	-10	-5	0	
YF13E2G-Q100	Capacity (W)	50	969	1219	1531	1865	2258	2713	3210	3781	4404
		40	1132	1429	1783	2200	2697	3276	3940	4700	5558
		30	1279	1639	2034	2535	3095	3714	4399	5159	5998
	Watt (W)	50	1548	1634	1715	1787	1863	1942	2021	2100	2179
		40	1285	1352	1414	1476	1543	1608	1672	1737	1801
		30	1065	1118	1166	1223	1290	1362	1438	1519	1605
YF17E2G-Q100	Capacity (W)	50	1157	1456	1829	2227	2697	3240	3835	4516	5261
		40	1353	1707	2129	2628	3222	3913	4706	5614	6638
		30	1528	1958	2430	3028	3696	4437	5254	6163	7164
	Watt (W)	50	1833	1934	2031	2115	2206	2299	2392	2486	2579
		40	1521	1601	1674	1748	1827	1903	1980	2056	2132
		30	1261	1324	1380	1448	1527	1612	1702	1799	1900
YF20E2G-Q100	Capacity (W)	50	1273	1601	2012	2450	2967	3564	4218	4968	5787
		40	1488	1877	2342	2890	3544	4305	5177	6175	7302
		30	1681	2154	2673	3331	4066	4880	5779	6779	7881
	Watt (W)	50	2003	2114	2219	2312	2411	2513	2615	2717	2819
		40	1663	1749	1830	1910	1997	2080	2163	2247	2330
		30	1378	1446	1508	1582	1669	1762	1861	1966	2077
YF29E2G-Q100	Capacity (W)	50	1918	2412	3030	3691	4470	5370	6354	7484	8717
		40	2242	2828	3528	4354	5339	6485	7799	9303	11001
		30	2532	3244	4027	5018	6125	7352	8706	10212	11872
	Watt (W)	50	2820	2977	3124	3255	3394	3538	3682	3825	3969
		40	2341	2463	2576	2689	2811	2929	3046	3164	3281
		30	1941	2037	2124	2228	2350	2480	2620	2768	2924

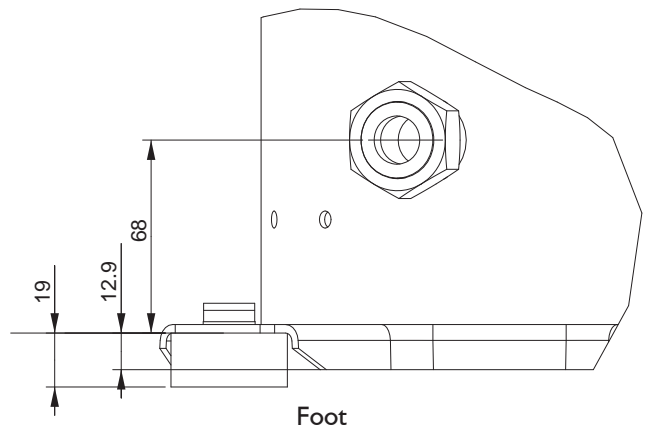
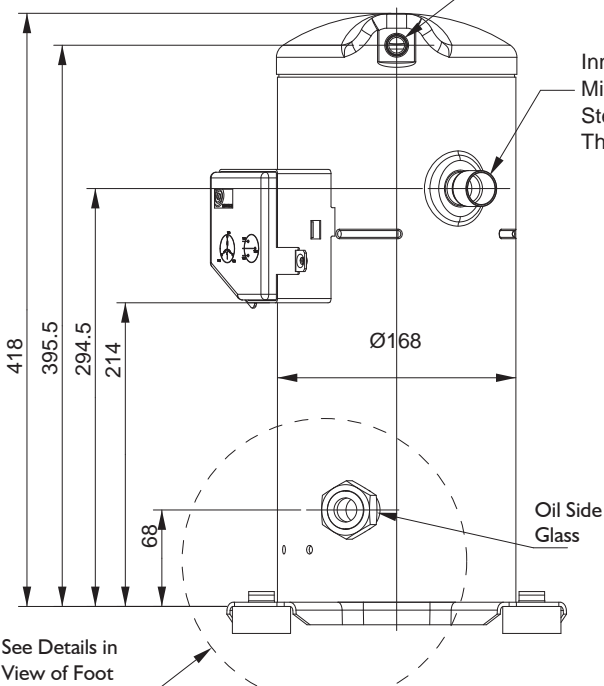
Capacity @ 20° C Return Gas Temperature, No Sub Cooling, Liquid Injection



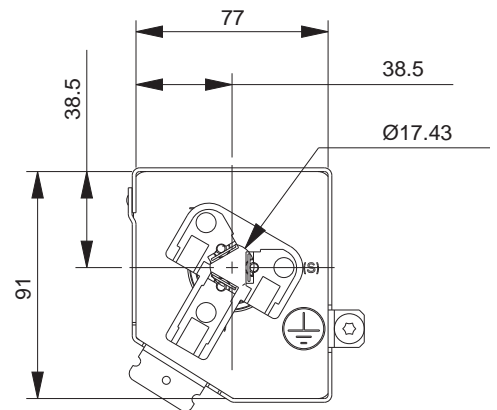
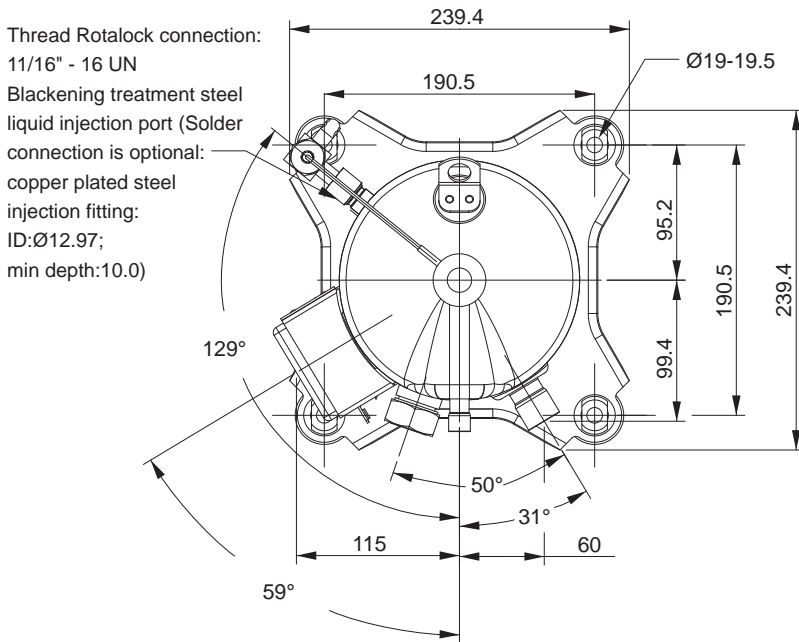
Wiring Diagram

Inner Diameter \varnothing 12.87 - 12.97
 Min. Depth: 10.6
 Steel Tube with Copper Plating
 Thickness of Copper: 0.04-0.08

Inner Diameter \varnothing 22.35-22.45
 Min. Depth: 17.3
 Steel Tube with Copper Plating
 Thickness of Copper: 0.04-0.08

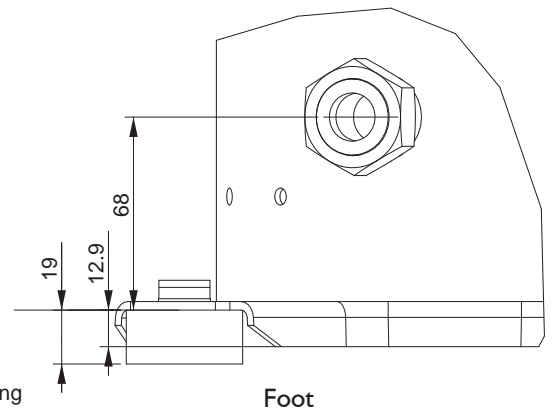
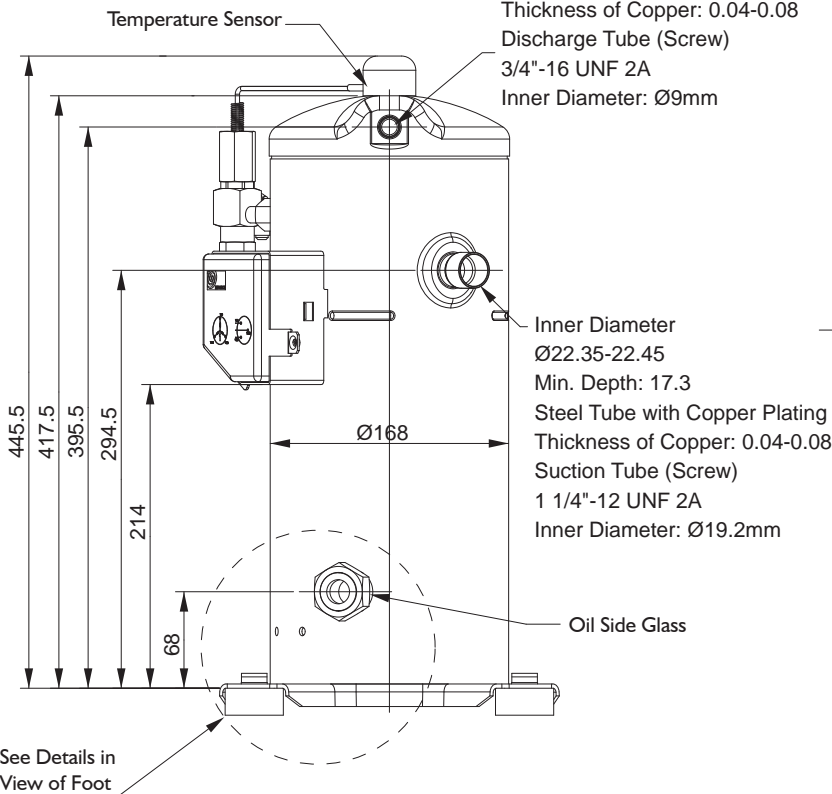


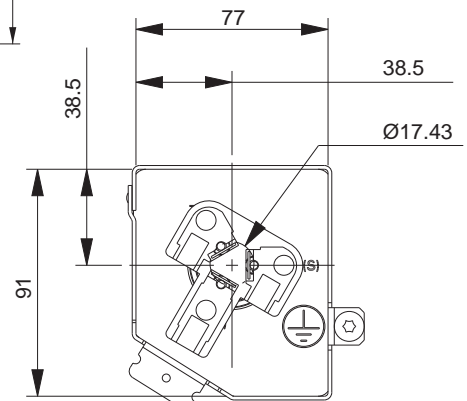
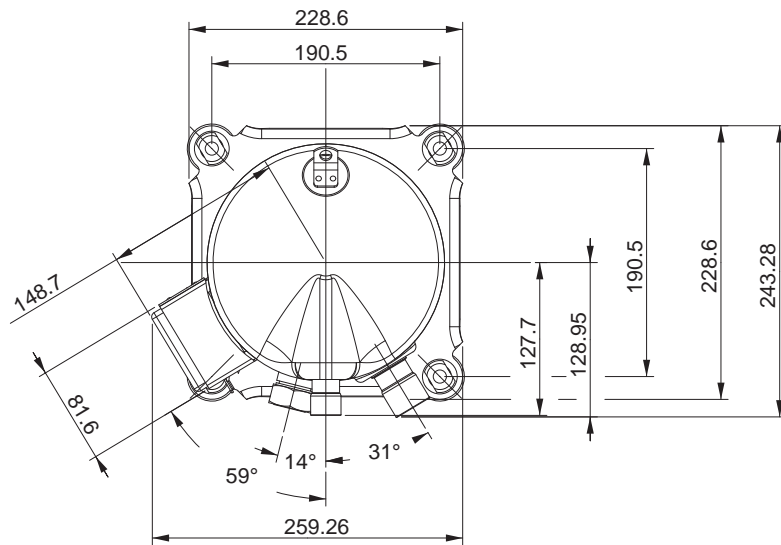
Foot



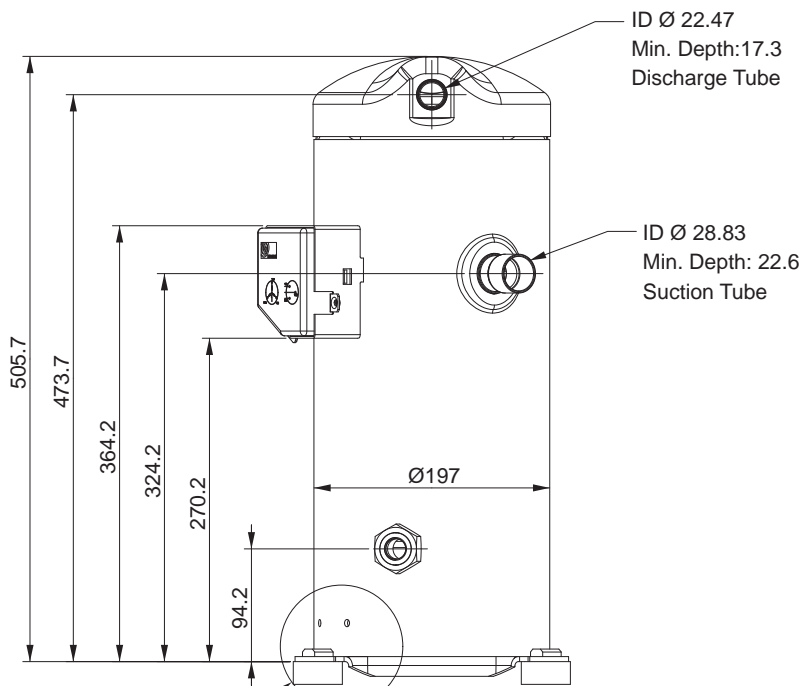
Wiring Diagram

Inner Diameter Ø 12.87 - 12.97
Min. Depth:10.6
Steel Tube with Copper Plating
Thickness of Copper: 0.04-0.08
Discharge Tube (Screw)
3/4"-16 UNF 2A
Inner Diameter: Ø9mm

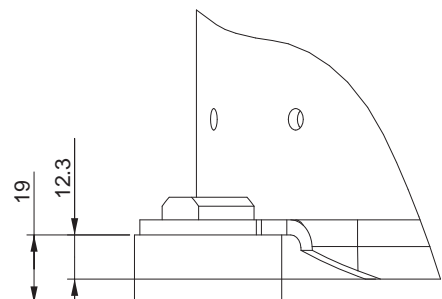




Wiring Diagram



See Details in View of Foot



Foot



No 1, Chernomorskaya str., Kiev, 04080 Ukraine

TEL/FAX: +38 044 5015730

Email: ukraine@invotech.biz

www.invotech.biz