



**Invotech Scroll Technologies**  
No. 68, Dongnan Road, Changshu, Jiangsu, PRC.  
Email: scroll@invotech.cn  
[www.invotech.cn](http://www.invotech.cn)

Every effort has been made to provide accurate descriptions and data. However, due to the continuing process of product improvement and evolution, all information in this brochure is subject to change without notification.

YW/YSW\_201803



## **InvoTech** YW/YSW series Scroll Compressors

**Special Design For Heat Pump Application**

**50Hz**



## InvoTech Scroll Technologies Co., Ltd

is a high-tech company.

Our company is founded by a group of engineers who formerly worked for the world's largest manufacturer of scroll compressors. We are a team of passionate and highly qualified professionals with more than 15 years of experience in this industry. Our company's products in addition to impressive sales performance in the domestic market, also sales to Asia, Africa, Europe, South America and other more than 30 countries and regions.

Our company provides specialized scroll compressors and related technical consulting services for heat pump water heaters, refrigeration and air conditioning, chillers and other applications. We are willing to provide our customers with jointly developed or Turn-Key solutions to meet their needs.

**Our vision: to become a global first class solution provider by providing innovative products for the climate and energy industries.**

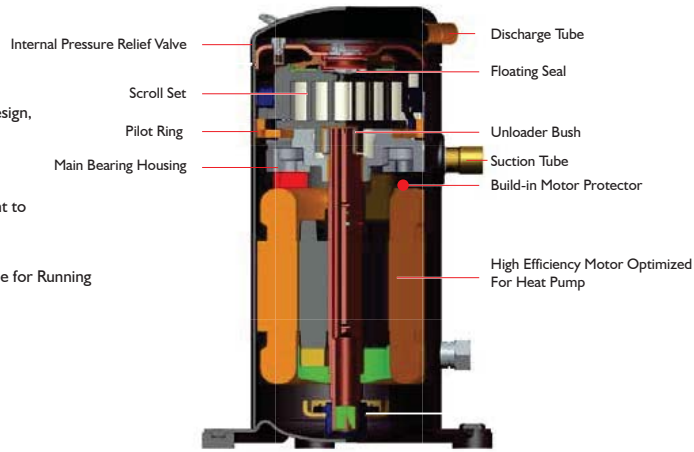
For more information please visit:  
[www.invotech.cn](http://www.invotech.cn)

<i>Product Features</i>	<i>1</i>
<i>Models</i>	<i>2</i>
<i>Nomenclature</i>	<i>3</i>
<i>Specifications</i>	
<i>R410A</i>	<i>4</i>
<i>R407C</i>	<i>7</i>
<i>R134a</i>	<i>11</i>
<i>Operating Envelope</i>	<i>15</i>
<i>Capacity</i>	
<i>R410A</i>	<i>16</i>
<i>R407C</i>	<i>27</i>
<i>R134a</i>	<i>35</i>
<i>Dimensions</i>	<i>47</i>

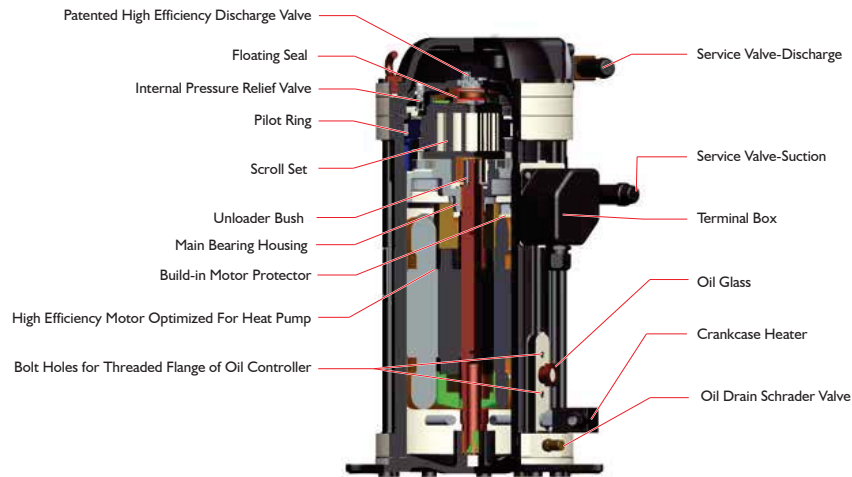
# YW/YSW Series

## Product Features

- Specific Design For Heat Pump, Not Only The Scroll Set But Also The Unit, Precise Product-Definition Based On Customer's Need
- Both Build-in Radius and Axial Compliance Design, Improved Floating Seal Design for Better Energy Efficiency
- Excellent Discharge Temperature Management to Stretch Operation Envelope
- Accurate Calculation of Load and Sealing Force for Running Sound Optimization
- High Efficiency Motor Design



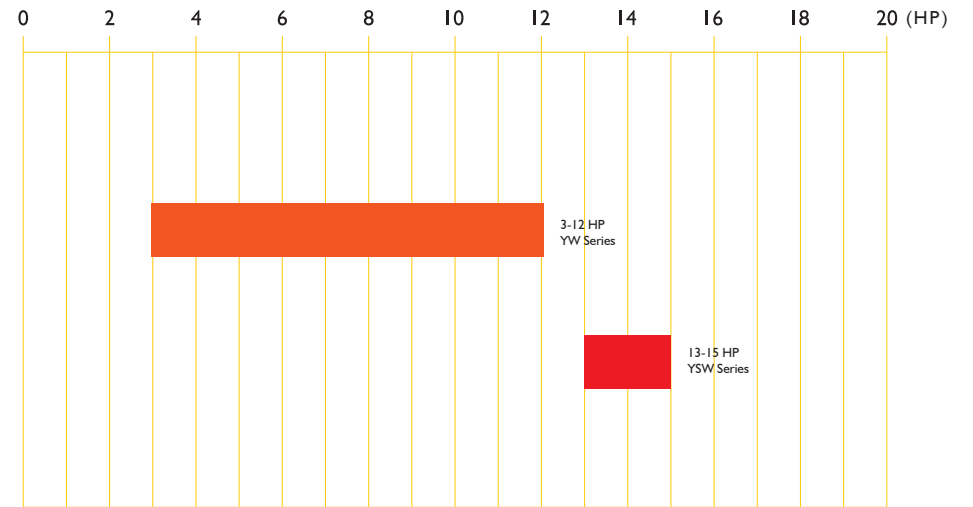
YW系列 YW series 涡旋压缩机



YSW series

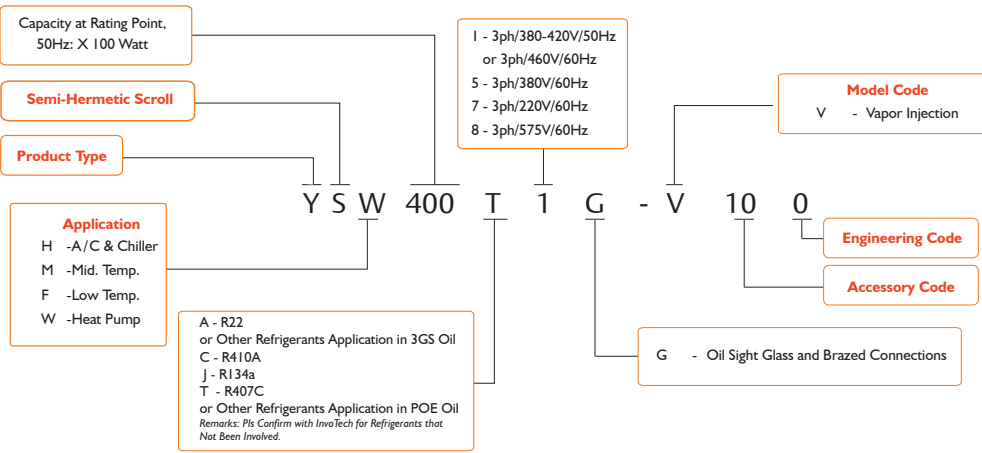
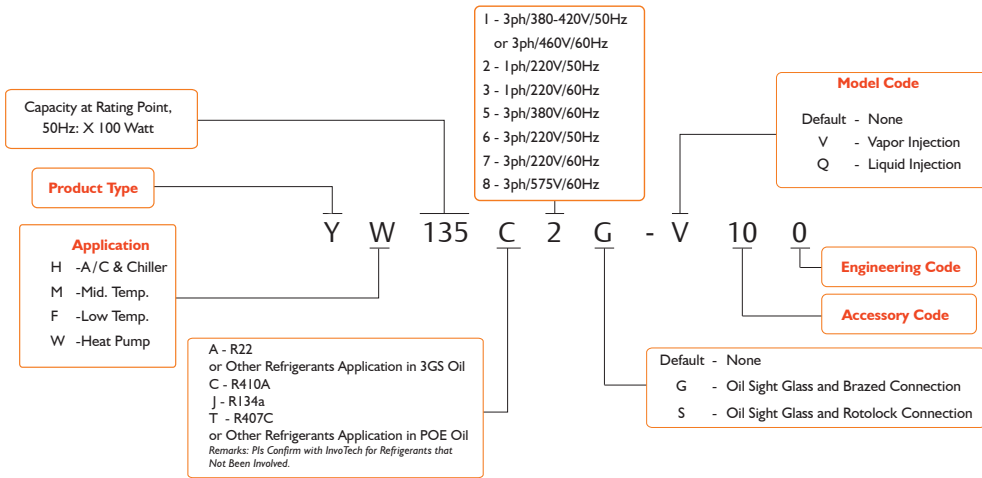
# YW/YSW Series

## Models



# YW/YSW Series

## Nomenclature



# YW/YSW Series

## Specifications

# R410A

## Classic Series

Model	YW75C2-102	YW110C2-100	YW75C1-100	YW110C1-100	YW135C1-100	YW160C1-100	YW185C1-100	YW270C1-100	YW300C1-100*	YW320C1-100*	YW340C1-100*	
Electricity	220V / 50Hz / 1P		380V / 50Hz / 3P									
Power in Horse Power (HP)	Single Phase		3 Phase									
	3	4	3	4	5	6	7	10	11	12	13	
Displacement (m <sup>3</sup> /H)	5.6	8.1	5.6	8.1	10.3	11.8	13.4	20.1	22.2	22.9	24.9	
Refrigerant	R410A											
Heating Capacity (W)	10500	15655	10626	14577	18593	21403	23860	37321	28135	29777	33112	
Power in Watt (W)	2900	4254	2826	3877	4893	5603	6697	9821	9135	9668	10512	
COP (W/W)	3.62	3.68	3.76	3.76	3.80	3.82	3.56	3.80	3.08	3.08	3.15	
Running Current (A)	13.7	20.1	5.3	7.4	8.7	9.8	12.6	16.7	15.7	16.4	17.7	
LRA (A)	76	109	45	60	60	65	85	121	121	121	141	
MOC (A)	20.5	30	7.6	11	13	14	18.1	24	29.1	30	32	
Crankcase Heater (W)	70					90						
Fitting Dimensions (Inch)												
Discharge Tube (OD)												
Suction Tube (OD)												
Product Dimensions (mm)												
Length (L)												
Width (W)												
Height (H)	418	463	418		463		508					
Feet Dimensions (Hole)	190 x 190 (8.5)											
Oil Type	POE											
Initial Charge Volume (L)	1.4	1.6					1.6	2.7				
Recharge Volume (L)	1.25	1.45					1.45	2.6				
Max Operating Pressure (MPa)												
High Side	4.3											
Low Side	2.0											
Weight (kg)	31	35	30	31	31	40	40	54	54	54	54	

Remarks:  
Classic Series: E.T. 5°C, C.T. 55°C, Subcooling 8.3°C, R.G.T. 11.1°C  
\*\*\*Series: E.T. -6.7°C, C.T. 48.9°C, Subcooling °C, R.G.T. 11.1°C



# YW/YSW Series

## Specifications

# R410A

## Classic Series(With EVI)

Model	YW75C2-V102	YW110C2-V100	YW135C2-V100	YW152C2-V100	YW75C1-V100	YW110C1-V100	YW135C1-V100
Electricity	220V / 50Hz / 1P				380V / 50Hz / 3P		
	Single Phase				3 Phase		
Power in Horse Power (HP)	3	4	5	5.8	3	4.5	5
Displacement (m <sup>3</sup> /H)	5.6	8.1	10.3	11.0	5.6	8.1	10.3
Refrigerant	R410A						
Heating Capacity (W)	11359	16593	19872	21113	11129	15267	19474
Power in Watt (W)	3091	4509	5629	5816	2939	4032	5089
COP (W/W)	3.67	3.68	3.53	3.63	3.79	3.79	3.83
Running Current (A)	14.6	18.1	19.1	20.1	5.4	7.5	8.9
LRA (A)	76	109	140	180	45	60	60
MOC (A)	20.5	30	36	39	7.6	11	13
Crankcase Heater (W)	70						
Fitting Dimensions (Inch)							
Discharge Tube (OD)	1/2						
Suction Tube (OD)	7/8						
Product Dimensions (mm)							
Length (L)	239						
Width (W)	239						
Height (H)	418	463			418		
Feet Dimensions (Hole)	190 x 190 (8.5)						
Oil Type	POE						
Initial Charge Volume (L)	1.4	1.6			1.4		
Recharge Volume (L)	1.25	1.45			1.25		
Max Operating Pressure (MPa)							
High Side	4.3						
Low Side	2.0						
Weight (kg)	31	35	35	35	30	31	31

Remarks:  
Classic Series: E.T. 5°C, C.T. 55°C, Subcooling 8.3°C, R.G.T. 11.1°C

# YW/YSW Series

## Specifications

# R410A

## Classic Series(With EVI)

Model	YW160C1-V100	YW185C1-V100	YW270C1-V100	YW300C1-V100*	YW320C1-V100*	YW340C1-V100*	YW400C1-V100**
Electricity	380V / 50Hz / 3P						
	3 Phase						
Power in Horse Power (HP)	6	7	10	11	12	13	15
Displacement (m <sup>3</sup> /H)	11.8	13.4	20.1	22.2	22.9	24.9	29.1
Refrigerant	R410A						
Heating Capacity (W)	22417	26680	38300	30044	31798	35380	22420
Power in Watt (W)	5827	7210	10000	9363	9910	10780	9340
COP (W/W)	3.85	3.70	3.83	3.21	3.21	3.28	2.40
Running Current (A)	10.1	12.6	17.8	16	16.8	18.2	17.5
LRA (A)	65	85	121	121	121	141	141
MOC (A)	14	18.1	24	29.1	30	32	36
Crankcase Heater (W)	70			90			
Fitting Dimensions (Inch)							
Discharge Tube (OD)	1/2			7/8			
Suction Tube (OD)	7/8			1 1/8			
Product Dimensions (mm)							
Length (L)	239			260			
Width (W)	239			244			
Height (H)	463			508			
Feet Dimensions (Hole)	190 x 190 (8.5)						
Oil Type	POE						
Initial Charge Volume (L)	1.6			2.7			
Recharge Volume (L)	1.45			2.6			
Max Operating Pressure (MPa)							
High Side	4.3						
Low Side	2.0						
Weight (kg)	35	35	53	53	54	54	54

Remarks:  
Classic Series: E.T. 5°C, C.T. 55°C, Subcooling 8.3°C, R.G.T. 11.1°C  
\*\*Series: E.T. -6.7°C, C.T. 48.9°C, Subcooling 7°C, R.G.T. 11.1°C  
\*\*\*Series: E.T. -31.6°C, C.T. 40.6°C, Subcooling 7°C, R.G.T. 4.4°C

# YW/YSW Series

## Specifications

# R407C

## Classic Series

Model	YW75T2-102	YW110T2-100	YW75T1-100	YW110T1-100	YW135T1-100	YW160T1-100	YW185T1-100
Electricity	220V / 50Hz / 1P			380V / 50Hz / 3P			
	Single Phase			3 Phase			
Power in Horse Power (HP)	3	4	3	4	5	6	7
Displacement (m <sup>3</sup> /H)	8.1	11.8	8.1	11.8	14.5	17.1	18.8
Refrigerant	R407C						
Heating Capacity (W)	10000	14650	9920	14590	17520	20480	23991
Power in Watt (W)	2740	3900	2660	3840	4550	5320	6231
COP (W/W)	3.65	3.76	3.73	3.80	3.85	3.85	3.85
Running Current (A)	12.7	18.5	5.1	7.4	8.4	9.6	11.2
LRA (A)	76	109	45	60	60	65	85
MOC (A)	20.7	30.5	7.5	10.5	12.6	14.5	17.1
Crankcase Heater (W)	70						
Fitting Dimensions (Inch)							
Discharge Tube (OD)	1/2						
Suction Tube (OD)	7/8						
Product Dimensions (mm)							
Length (L)	239						
Width (W)	239						
Height (H)	418	463	418		463		
Feet Dimensions (Hole)	190 x 190 (8.5)						
Oil Type	POE						
Initial Charge Volume (L)	1.4	1.6	1.4			1.6	
Recharge Volume (L)	1.25	1.45	1.25			1.45	
Max Operating Pressure (MPa)							
High Side	3.0						
Low Side	2.0						
Weight (kg)	31	35	30	31	31	35	35

Remarks:  
Classic Series: E.T. 5°C, C.T. 55°C, Subcooling 8.3°C, R.G.T. 11.1°C

# YW/YSW Series

## Specifications

# R407C

## Classic Series

Model	YW205T1-100	YW245T1-100	YW285T1-100	YW320T1-100	YSW340T1-G-100	YSW400T1-G-100
Electricity	380V / 50Hz / 3P					
	3 Phase					
Power in Horse Power (HP)	8	9	10	12	13	15
Displacement (m <sup>3</sup> /H)	21.4	25.3	29.1	32.9	37.7	42.5
Refrigerant	R407C					
Heating Capacity (W)	26717	31772	36829	41285	43630	51919
Power in Watt (W)	6979	8252	9469	10565	11470	13999
COP (W/W)	3.83	3.85	3.89	3.91	3.80	3.71
Running Current (A)	13	14.7	16.6	18.2	20.2	24.3
LRA (A)	117	117	121	121	148.5	148.5
MOC (A)	19.6	21.8	24.7	28	27.7	31.6
Crankcase Heater (W)	90			75		
Fitting Dimensions (Inch)						
Discharge Tube (OD)	7/8					
Suction Tube (OD)	1 1/8			1 3/8		
Product Dimensions (mm)						
Length (L)	260			318		
Width (W)	244			309		
Height (H)	508			602		
Feet Dimensions (Hole)	190 x 190 (8.5)					
Oil Type	POE					
Initial Charge Volume (L)	2.7			3.0		
Recharge Volume (L)	2.6			2.8		
Max Operating Pressure (MPa)						
High Side	3.0					
Low Side	2.0					
Weight (kg)	53	53	54	54	90	90

Remarks:  
Classic Series: E.T. 5°C, C.T. 55°C, Subcooling 8.3°C, R.G.T. 11.1°C

# YW/YSW Series

## Specifications

# R407C

## Classic Series(With EVI)

Model	YW75T2-V102	YW110T2-V100	YW152T2-V100	YW75T1-V100	YW110T1-V100	YW135T1-V100	YW160T1-V100	YW185T1-V100
Electricity	220V / 50Hz / 1P			380V / 50Hz / 3P				
	Single Phase			3 Phase				
Power in Horse Power (HP)	3	4	5.8	3	4	5	6	7
Displacement (m <sup>3</sup> /H)	8.1	11.8	16.3	8.1	11.8	14.5	17.1	18.8
Refrigerant	R407C							
Heating Capacity (W)	11220	16450	21458	11180	16380	19700	23030	25430
Power in Watt (W)	2990	4260	5861	2910	4190	4970	5810	6542
COP (W/W)	3.75	3.86	3.66	3.84	3.91	3.96	3.96	3.89
Running Current (A)	13.9	20.2	30.3	6.3	7.9	9.2	10.3	11.2
LRA (A)	76	109	180	45	60	60	65	85
MOC (A)	20.7	30.5	42	7.5	10.5	12.6	14.5	17.1
Crankcase Heater (W)	70							
Fitting Dimensions (Inch)								
Discharge Tube (OD)	1/2							
Suction Tube (OD)	7/8							
Product Dimensions (mm)								
Length (L)	239							
Width (W)	239							
Height (H)	418	463		418			463	
Feet Dimensions (Hole)	190 x 190 (8.5)							
Oil Type	POE							
Initial Charge Volume (L)	1.4	1.6		1.4			1.6	
Recharge Volume (L)	1.25	1.45		1.25			1.45	
Max Operating Pressure (MPa)								
High Side	3.0							
Low Side	2.0							
Weight (kg)	31	35	38	30	31	31	40	40

Remarks:  
Classic Series: E.T. 5°C, C.T. 55°C, Subcooling 8.3°C, R.G.T. 11.1°C

# YW/YSW Series

## Specifications

# R407C

## Classic Series(With EVI)

Model	YW205T1-V100	YW245T1-V100	YW285T1-V100	YW320T1-V100	YSW340T1-G-V100	YSW400T1-G-V100
Electricity	380V / 50Hz / 3P					
	3 Phase					
Power in Horse Power (HP)	8	9	10	12	13	15
Displacement (m <sup>3</sup> /H)	21.4	25.3	29.1	32.9	37.7	42.5
Refrigerant	R407C					
Heating Capacity (W)	27983	33278	38576	42552	46029	54774
Power in Watt (W)	7258	8582	9848	10800	12100	14768
COP (W/W)	3.86	3.88	3.92	3.94	3.80	3.71
Running Current (A)	13.5	15.2	17.2	18.9	21.6	24.7
LRA (A)	117	117	121	121	148.5	148.5
MOC (A)	19.6	21.8	24.7	28	27.7	31.6
Crankcase Heater (W)	90			75		
Fitting Dimensions (Inch)						
Discharge Tube (OD)	7/8					
Suction Tube (OD)	1 1/8			1 3/8		
Product Dimensions (mm)						
Length (L)	260			318		
Width (W)	244			309		
Height (H)	508			602		
Feet Dimensions (Hole)	190 x 190 (8.5)					
Oil Type	POE					
Initial Charge Volume (L)	2.7			3.0		
Recharge Volume (L)	2.6			2.8		
Max Operating Pressure (MPa)						
High Side	3.0					
Low Side	2.0					
Weight (kg)	53	53	54	54	90	90

Remarks:  
Classic Series: E.T. 5°C, C.T. 55°C, Subcooling 8.3°C, R.G.T. 11.1°C

# YW/YSW Series

## Specifications

# RI34a

## Ultra-High Temp. J Series

Model	YW38J2-102	YW55J2-102	YW80J2-100	YW38J1-100	YW55J1-100	YW80J1-100	YW100J1-100
Electricity	220V / 50Hz / 1P			380V / 50Hz / 3P			
	Single Phase			3 Phase			
Power in Horse Power (HP)	2	3	4	2	3	4	5
Displacement (m <sup>3</sup> /H)	5.8	8.1	11.8	5.8	8.1	11.8	14.5
Refrigerant	R134a						
Heating Capacity (W)	5126	7180	10450	5000	7180	10430	13000
Power in Watt (W)	1226	1700	2450	1199	1689	2437	3023
COP (W/W)	4.18	4.22	4.27	4.17	4.25	4.28	4.30
Running Current (A)	5.8	7.9	11.6	2.4	4.1	5.9	6.4
LRA (A)	76	76	109	22	45	60	60
MOC (A)	13	15.4	23.2	5	6.5	9	10.4
Crankcase Heater (W)	70						
Fitting Dimensions (Inch)							
Discharge Tube (OD)	1/2						
Suction Tube (OD)	7/8						
Product Dimensions (mm)							
Length (L)	239						
Width (W)	239						
Height (H)	418						
Feet Dimensions (Hole)	190 x 190 (8.5)						
Oil Type	POE						
Initial Charge Volume (L)	1.4						
Recharge Volume (L)	1.25						
Max Operating Pressure (MPa)							
High Side	3.0						
Low Side	2.0						
Weight (kg)	31	31	33	29	30	31	31

Remarks:  
Classic Series: E.T. 5°C, C.T. 55°C, Subcooling 8.3°C, R.G.T. 11.1°C

# YW/YSW Series

## Specifications

# RI34a

## Ultra-High Temp. J Series

Model	YW120J1-100	YW132J1-100	YW180J1-100	YW200J1-100	YW240J1-100	YSW265J1-G-100	YSW290J1-G-100
Electricity	380V / 50Hz / 3P						
	3 Phase						
Power in Horse Power (HP)	6	6.5	9	10	12	13	15
Displacement (m <sup>3</sup> /H)	17.1	18.5	25.3	29.1	32.9	37.7	42.5
Refrigerant	R134a						
Heating Capacity (W)	15530	16500	23450	25540	29220	34913	38206
Power in Watt (W)	3612	3837	5450	5940	6720	8413	9206
COP (W/W)	4.30	4.30	4.30	4.30	4.35	4.15	4.15
Running Current (A)	7.4	7.7	11	11.6	12.5	16	17.2
LRA (A)	65	65	117	121	121	148.5	148.5
MOC (A)	12.3	13.5	18.8	20.3	24	27.3	32.1
Crankcase Heater (W)	70		90			75	
Fitting Dimensions (Inch)							
Discharge Tube (OD)	1/2		7/8				
Suction Tube (OD)	7/8		1 1/8			1 3/8	
Product Dimensions (mm)							
Length (L)	239		260			318	
Width (W)	239		244			309	
Height (H)	463		508			602	
Feet Dimensions (Hole)	190 x 190 (8.5)						
Oil Type	POE						
Initial Charge Volume (L)	1.6		2.7			3.0	
Recharge Volume (L)	1.45		2.6			2.8	
Max Operating Pressure (MPa)							
High Side	3.0						
Low Side	2.0						
Weight (kg)	35	35	53	54	54	90	90

Remarks:  
Classic Series: E.T. 5°C, C.T. 55°C, Subcooling 8.3°C, R.G.T. 11.1°C



# YW/YSW Series

# RI34a

## Specifications

### Ultra-High Temp. J Series(With EVI)

Model	YW38J2-V102	YW55J2-V102	YW80J2-V100	YW38J1-V100	YW55J1-V100	YW80J1-V100	YW100J1-V100	YW120J1-V100	YW132J1-V100
Electricity	220V / 50Hz / 1P			380V / 50Hz / 3P					
	Single Phase			3 Phase					
Power in Horse Power (HP)	2	3	4	2	3	4	5	6	6.5
Displacement (m <sup>3</sup> /H)	5.8	8.1	11.8	5.8	8.1	11.8	14.5	17.1	18.5
Refrigerant	R134a								
Heating Capacity (W)	5382	7522	10948	5238	7522	10927	13620	16270	17325
Power in Watt (W)	1287	1768	2548	1247	1757	2534	3144	3756	4029
COP (W/W)	4.18	4.25	4.30	4.20	4.28	4.31	4.33	4.33	4.30
Running Current (A)	6.1	8.6	12.6	2.4	4.2	6	6.6	7.6	7.9
LRA (A)	76	76	109	22	45	60	60	65	65
MOC (A)	13	15.4	23.2	5	6.5	9	10.4	12.3	13.5
Crankcase Heater (W)	70								
Fitting Dimensions (Inch)									
Discharge Tube (OD)	1/2								
Suction Tube (OD)	7/8								
Product Dimensions (mm)									
Length (L)	239								
Width (W)	239								
Height (H)	418						463		
Feet Dimensions (Hole)	190 x 190 (8.5)								
Oil Type	POE								
Initial Charge Volume (L)	1.4						1.6		
Recharge Volume (L)	1.25						1.45		
Max Operating Pressure (MPa)									
High Side	3.0								
Low Side	2.0								
Weight (kg)	31	31	33	29	30	31	31	40	41

Remarks:  
Classic Series: E.T. 5°C, C.T. 55°C, Subcooling 8.3°C, R.G.T. 11.1°C

# YW/YSW Series

# RI34a

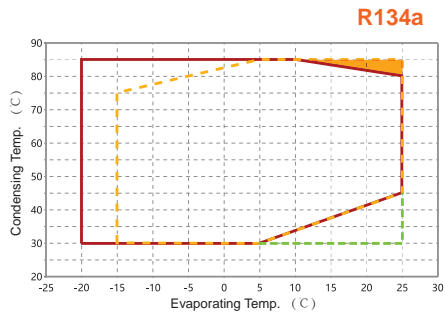
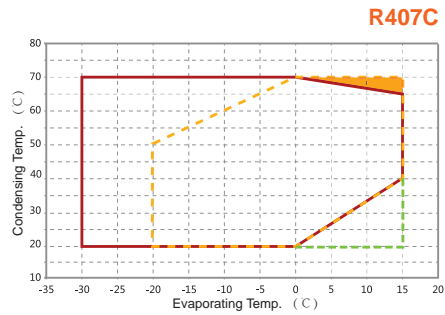
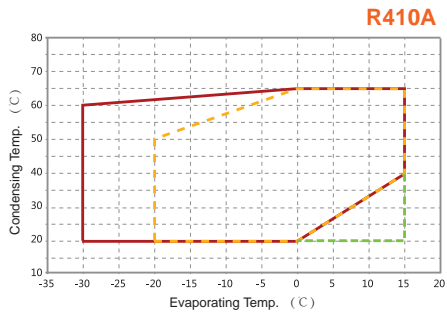
## Specifications

### Ultra-High Temp. J Series(With EVI)

Model	YW180J1-V100	YW200J1-V100	YW240J1-V100	YSW265J1-G-V100	YSW290J1-G-V100
Electricity	380V / 50Hz / 3P				
	3 Phase				
Power in Horse Power (HP)	9	10	12	13	15
Displacement (m <sup>3</sup> /H)	25.3	29.1	32.9	37.7	42.5
Refrigerant	R134a				
Heating Capacity (W)	24568	26758	30614	36658	40117
Power in Watt (W)	5668	6178	6989	8833	9667
COP (W/W)	4.33	4.33	4.38	4.15	4.15
Running Current (A)	11.3	11.9	12.9	16.5	17.8
LRA (A)	117	121	121	148.5	148.5
MOC (A)	18.8	20.3	24	27.3	32.1
Crankcase Heater (W)	90		75		
Fitting Dimensions (Inch)					
Discharge Tube (OD)	7/8				
Suction Tube (OD)	1 1/8		1 3/8		
Product Dimensions (mm)					
Length (L)	260			318	
Width (W)	244			309	
Height (H)	508			602	
Feet Dimensions (Hole)	190 x 190 (8.5)				
Oil Type	POE				
Initial Charge Volume (L)	2.7			3.0	
Recharge Volume (L)	2.6			2.8	
Max Operating Pressure (MPa)					
High Side	3.0				
Low Side	2.0				
Weight (kg)	53	54	54	90	90

Remarks:  
Classic Series: E.T. 5°C, C.T. 55°C, Subcooling 8.3°C, R.G.T. 11.1°C

# YW/YSW Series Operating Envelope



- EVI Off Area
- Operating Envelope for with EVI model
- Transition Area
- Operating Envelope for without EVI model

# YW/YSW Series Capacity

# R410A Classic Series

Model	C.T. (°C)	E.T. (°C)							
		-20	-15	-10	-5	0	5	10	15
Heating Capacity (W)	65					8827	10263	11663	13223
	55		5722	6958	8396	9677	10952	12436	13904
	50	4974	6225	7272	8646	9957	11279	12835	14315
	45	5428	6570	7539	8865	10235	11627	13275	14938
	40	5633	6783	7689	9096	10468	11962	13685	15474
	35	5887	6925	7839	9278	10731	12302	14130	16087
YW75C2-102	25	5912	7067	7988	9460	10994	12643	14576	
	65					3782	3763	3800	3855
	55		2818	2892	2967	2997	2981	3011	3055
	50	2497	2531	2564	2643	2680	2666	2695	2736
	45	2263	2289	2350	2371	2415	2426	2447	2480
	40	2015	2068	2099	2138	2159	2172	2194	2226
Heating Capacity (W)	35	1803	1846	1874	1911	1933	1951	1978	2011
	25	1616	1624	1648	1685	1707	1729	1762	
	65					12493	14387	16354	18545
	55		8018	9752	11772	13569	15362	17446	19507
	50	6970	8724	10195	12124	13966	15823	18009	20088
	45	7607	9212	10572	12434	14359	16315	18629	20964
YW110C2-100	40	7896	9513	10785	12761	14688	16787	19206	21720
	35	8256	9714	10997	13018	15059	17267	19834	22582
	25	8292	9915	11208	13276	15430	17746	20461	
	65					5103	5077	5127	5201
	55		3939	3902	4003	4043	4023	4062	4122
	50	3491	3414	3460	3566	3615	3597	3636	3692
Power (W)	45	3053	3088	3171	3199	3258	3273	3301	3345
	40	2719	2790	2832	2885	2914	2931	2961	3004
	35	2433	2491	2528	2579	2608	2632	2669	2714
	25	2180	2191	2224	2273	2303	2333	2377	
	65					8753	10189	11589	13147
	55		5667	6901	8338	9618	10894	12377	13844
Heating Capacity (W)	50	4925	6175	7222	8594	9904	11227	12782	14262
	45	5384	6526	7493	8818	10188	11580	13227	14889
	40	5593	6743	7648	9054	10426	11920	13642	15431
	35	5852	6889	7802	9241	10693	12264	14091	16048
	25	5880	7035	7956	9427	10960	12609	14541	
	65					3708	3689	3725	3779
YW75C1-100	55		2762	2836	2909	2938	2923	2952	2995
	50	2448	2481	2514	2591	2627	2614	2642	2683
	45	2218	2244	2304	2324	2368	2378	2399	2431
	40	1975	2027	2058	2096	2117	2130	2151	2182
	35	1768	1810	1837	1874	1895	1913	1939	1972
	25	1584	1592	1616	1652	1673	1696	1727	

Remarks: Subcooling 8.3°C, S.H 11.1°C

# YW/YSW Series

## Capacity

# R410A

## Classic Series

Model	C.T. (°C)	E.T. (°C)									
		-20	-15	-10	-5	0	5	10	15		
YW110C1-100	Heating Capacity (W)	65					12392	14287	16253	18443	
		55	7941	9675	11693	13490	15283	17366	19427		
		50	6902	8657	10127	12054	13895	15752	17938	20016	
		45	7547	9151	10510	12371	14295	16250	18564	20898	
		40	7843	9458	10730	12704	14631	16729	19148	21661	
		35	8208	9665	10947	12968	15008	17215	19782	22529	
		25	8249	9872	11164	13232	15385	17701	20415		
	Power (W)		65				5003	4978	5026	5099	
			55	3861	3826	3925	3964	3944	3982	4041	
			50	3422	3347	3392	3496	3545	3526	3565	3620
		45	2993	3027	3109	3136	3195	3209	3236	3280	
		40	2665	2735	2777	2829	2856	2873	2903	2945	
		35	2385	2442	2479	2528	2557	2581	2616	2661	
YW135C1-100	Heating Capacity (W)	65					15274	17630	20071	22790	
			55	9774	11927	14432	16664	18893	21481	24040	
			50	8906	10674	12500	14892	17178	19487	22202	24783
			45	9304	11296	12983	15295	17684	20114	22989	25888
			40	9680	11684	13264	15716	18111	20717	23723	26845
			35	10140	11949	13542	16052	18586	21329	24517	27931
		25	10197	12214	13819	16387	19062	21940	25311		
	Power (W)		65				6315	6282	6344	6436	
			55	4704	4829	4953	5003	4978	5026	5101	
			50	4169	4225	4281	4413	4474	4451	4499	4568
		45	3777	3821	3923	3958	4032	4050	4085	4140	
		40	3364	3452	3504	3570	3605	3627	3664	3717	
		35	3010	3082	3128	3191	3227	3257	3302	3358	
YW160C1-100	Heating Capacity (W)	65					17283	19948	22711	25788	
			55	11060	13495	16330	18856	21378	24306	27202	
			50	9955	12078	14144	16850	19437	22050	25121	28042
			45	10527	12782	14690	17306	20010	22759	26012	29293
			40	10953	13221	15008	17783	20493	23442	26843	30375
			35	11473	13520	15323	18163	21031	24133	27741	31604
		25	11538	13820	15637	18542	21569	24825	28640		
	Power (W)		65				7146	7109	7179	7283	
			55	5323	5464	5605	5661	5633	5688	5772	
			50	4718	4781	4844	4993	5062	5037	5091	5170
		45	4275	4324	4440	4479	4562	4583	4622	4684	
		40	3807	3907	3966	4040	4080	4104	4146	4206	
		35	3406	3487	3540	3611	3652	3686	3737	3800	
	25	3052	3068	3114	3183	3225	3267	3328			

Remarks: Subcooling 8.3°C, S.H 11.1°C

# YW/YSW Series

## Capacity

# R410A

## Classic Series

Model	C.T. (°C)	E.T. (°C)									
		-20	-15	-10	-5	0	5	10	15		
YW185C1-100	Heating Capacity (W)	65					20931	24159	27505	31231	
			55	13394	16344	19777	22837	25891	29437	32944	
			50	12204	14627	17129	20407	23540	26705	30424	33962
			45	12749	15480	17791	20959	24234	27563	31503	35477
			40	13265	16012	18177	21537	24819	28391	32510	36787
			35	13895	16375	18557	21997	25470	29228	33598	38276
		25	13974	16737	18937	22457	26122	30065	34686		
	Power (W)		65				8653	8609	8694	8820	
			55	6446	6617	6788	6856	6821	6888	6990	
			50	5713	5790	5866	6047	6131	6099	6166	6260
		45	5177	5236	5377	5425	5525	5550	5597	5673	
		40	4610	4731	4802	4892	4940	4970	5021	5093	
		35	4125	4223	4287	4373	4423	4463	4525	4602	
YW270C1-100	Heating Capacity (W)	65					29828	34408	39158	44448	
			55	19101	23289	28164	32506	36840	41873	46852	
			50	17191	20841	24392	29047	33495	37985	43265	48286
			45	18167	22043	25325	29822	34471	39196	44787	50428
			40	18890	22791	25864	30634	35292	40361	46208	52279
			35	19779	23298	26396	31279	36209	41543	47745	54384
		25	19884	23805	26929	31925	37127	42724	49282		
	Power (W)		65				12404	12341	12462	12643	
			55	9241	9486	9730	9828	9778	9874	10020	
			50	8190	8299	8409	8668	8788	8743	8838	8974
		45	7420	7506	7707	7776	7920	7956	8024	8132	
		40	6608	6782	6884	7013	7082	7124	7197	7301	
		35	5913	6054	6145	6269	6340	6398	6487	6597	
YW300C1-100*	Heating Capacity (W)	65					32796	37854	43096	48935	
			55	20987	25609	30988	35781	40566	46122	51617	
			50	18890	22919	26839	31975	36884	41842	47670	53212
			45	19977	24254	27876	32840	37971	43187	49360	55586
			40	20784	25088	28480	33745	38886	44483	50937	57639
			35	21772	25656	29076	34465	39908	45795	52642	59971
		25	21895	26224	29672	35186	40929	47107	54347		
	Power (W)		65				13559	13490	13622	13820	
			55	10101	10369	10637	10743	10688	10793	10953	
			50	8952	9072	9192	9475	9606	9557	9661	9810
		45	8111	8205	8425	8500	8658	8697	8771	8889	
		40	7223	7413	7525	7666	7741	7787	7867	7981	
		35	6463	6618	6717	6853	6930	6994	7091	7211	
	25	5792	5822	5910	6039	6119	6200	6315			

Remarks: Subcooling 8.3°C, S.H 11.1°C

# YW/YSW Series

## Capacity

# R410A

## Classic Series

Model	C.T. (°C)	E.T. (°C)										
		-20	-15	-10	-5	0	5	10	15			
YW320C1-100*	65					34026	39273	44713	50770			
	55		21774	26569	32150	37123	42088	47852	53553			
	50	19599	23778	27845	33174	38267	43411	49458	55207			
	45	20726	25164	28921	34072	39395	44807	51211	57670			
	40	21563	26029	29548	35010	40345	46151	52847	59800			
	35	22588	26618	30166	35758	41404	47512	54616	62220			
	25	22716	27208	30785	36505	42463	48874	56385				
	65					14068	13996	14133	14339			
YW340C1-100*	55		10480	10758	11035	11146	11089	11198	11363			
	50	9288	9413	9537	9831	9967	9916	10024	10177			
	45	8416	8513	8741	8819	8982	9023	9100	9222			
	40	7494	7691	7807	7954	8032	8079	8162	8280			
	35	6706	6866	6969	7110	7190	7256	7357	7482			
	25	6009	6040	6131	6266	6349	6433	6552				
	65					37825	43542	49666	51661			
	55		27139	30025	35929	41050	46459	53037	55454			
YW110C2-V100	50	23525	26500	31296	36974	42235	47841	54771	57488			
	45	23154	27837	32132	37843	43314	49118	56527	59549			
	40	23926	28541	32751	38732	44311	50556	58317	61622			
	35	24843	29056	33368	39512	45432	52015	60254	63783			
	25	24720	29571	33984	40292	46553	53475	62192				
	65					16066	15984	15984	16014			
	55		12772	12787	12791	12729	12664	12664	12694			
	50	11152	11304	11337	11395	11382	11324	11337	11379			
YW135C2-V100	45	10196	10223	10132	10171	10159	10107	10144	10210			
	40	9116	9142	9050	9084	9084	9050	9099	9178			
	35	8125	8161	8078	8120	8132	8127	8201	8305			
	25	7134	7180	7107	7156	7180	7205	7304				

Remarks: Subcooling 8.3°C, S.H 11.1°C

# YW/YSW Series

## Capacity

# R410A

## Classic Series(With EVI)

Model	C.T. (°C)	E.T. (°C)											
		-30	-25	-20	-15	-10	-5	0	5	10	15		
YW75C2-V102	65									10147	11782	13248	14893
	55	4552	4986	5562	6721	7979	9579	10959	12228	13657	15071		
	50	4858	5265	5793	7243	8299	9817	11147	12411	13889	15290		
	45	5079	5645	6305	7518	8602	9979	11312	12619	14187	15774		
	40	5347	6184	6513	7756	8675	10080	11367	12799	14462	16346		
	35	6017	6337	6843	7947	8803	10193	11562	13061	14863	16800		
	25	5959	6326	6752	7876	8695	10114	11610	13273	15309			
	65									4212	4130	4116	4123
YW110C2-V100	55	2539	2767	2988	3207	3182	3258	3255	3209	3207	3221		
	50	2572	2652	2722	2810	2805	2864	2884	2850	2852	2868		
	45	2288	2382	2444	2485	2531	2543	2582	2580	2576	2585		
	40	1926	2047	2136	2192	2246	2288	2311	2324	2282	2321		
	35	1703	1815	1889	1938	1978	2029	2056	2065	2063	2068		
	25	1568	1640	1637	1678	1734	1793	1821	1824	1808			
	65									14368	16523	18581	20892
	55	6446	6978	7730	9419	11187	13434	15372	17155	19162	21149		
YW135C2-V100	50	6771	7305	8120	10155	11638	13771	15638	17414	19491	21458		
	45	7067	7820	8841	10544	12065	14001	15873	17709	19912	22140		
	40	7424	8550	9135	10880	12171	14145	15952	17964	20300	22946		
	35	8336	8753	9600	11151	12352	14304	16228	18333	20864	23586		
	25	8253	8734	9473	11053	12203	14195	16296	18632	21493			
	65									5888	5773	5754	5763
	55	3685	3935	4199	4483	4447	4554	4550	4486	4483	4502		
	50	3636	3720	3805	3928	3921	4004	4032	3983	3987	4008		
YW135C2-V100	45	3238	3343	3416	3474	3538	3555	3609	3606	3600	3613		
	40	2731	2874	2985	3064	3140	3198	3230	3249	3190	3244		
	35	2418	2550	2640	2709	2765	2836	2874	2886	2884	2891		
	25	2229	2305	2289	2345	2424	2506	2545	2550	2528			
	65									16991	19438	21785	42118
	55	7899	8504	9380	11202	13215	15791	18002	20030	22320	24590		
	50	8226	8843	10120	11985	13677	16119	18253	20275	22645	24892		
	45	8546	9424	10434	12384	14126	16336	18482	20573	23086	25630		
YW135C2-V100	40	8932	10250	10722	12725	14206	16464	18530	20828	23487	26513		
	35	9983	10469	11218	12998	14375	16610	18809	21212	24100	27207		
	25	9873	10429	11043	12850	14170	16452	18854	21519	24782			
	65									7315	7172	7148	7159
	55	4653	4925	5230	5569	5525	5657	5653	5573	5569	5593		
	50	4538	4629	4726	4879	4871	4973	5008	4949	4952	4979		
	45	4045	4160	4243	4315	4395	4417	4579	4480	4473	4488		
	40	3414	3578	3578	3806	3900	3973	4012	4036	3963	4029		
35	3026	3176	3176	3365	3436	3523	3571	3585	3582	3592			
25	2791	2871	2871	2914	3010	3113	3161	3141	3141				

Remarks: Subcooling 8.3°C, S.H 11.1°C  
EVI Control rule: Discharge temp. ≤112°C, control injecting superheat=6K; Discharge temp. >112°C, control injecting making Discharge temp. =112°C.

# YW/YSW Series Capacity

## R410A

### Classic Series(With EVI)

Model	C.T. (°C)	E.T. (°C)									
		-30	-25	-20	-15	-10	-5	0	5	10	15
YW152C2-V100	65							18252	20925	23485	45652
	55	8439	9088	10032	12005	14202	17005	19416	21630	24127	26600
	50	8799	9469	10857	12885	14730	17388	19714	21920	24504	26953
	45	9167	10119	11217	13341	15237	17646	19979	22263	25003	27776
	40	9611	11042	11556	13732	15343	17802	20053	22557	25459	28755
	35	10771	11295	12112	14046	15544	17978	20373	22993	26141	29528
	25	10660	11263	11932	13901	15337	17821	20437	23344	26901	
	65							7703	7552	7527	7538
	55	4900	5186	5507	5864	5818	5957	5953	5868	5864	5890
	50	4779	4874	4977	5138	5129	5237	5274	5211	5215	5243
YW75C1-V100	45	4259	4381	4468	4544	4628	4651	4822	4717	4710	4726
	40	3595	3768	3768	4008	4107	4184	4225	4250	4173	4243
	35	3186	3344	3344	3543	3618	3710	3760	3775	3772	3782
	25	2939	3023	3023	3068	3170	3278	3329	3307	3307	
	65							10064	11701	13167	14812
	55	4503	4931	5503	6658	7917	9515	10895	12165	13594	15008
	50	4808	5213	5740	7188	8244	9761	11090	12355	13833	15233
	45	5035	5599	6258	7470	8552	9930	11262	12569	14137	15723
	40	5309	6144	6471	7713	8631	10036	11322	12754	14417	16300
	35	5983	6302	6806	7909	8764	10153	11522	13020	14822	16760
YW110C1-V100	25	5928	6294	6720	7844	8661	10079	11574	13237	15274	
	65							4130	4049	4035	4042
	55	2489	2713	2929	3144	3119	3194	3192	3146	3144	3158
	50	2522	2600	2668	2755	2750	2808	2828	2794	2796	2811
	45	2243	2336	2396	2436	2482	2494	2531	2529	2525	2534
	40	1888	2007	2094	2149	2202	2243	2265	2279	2237	2275
	35	1669	1780	1852	1900	1940	1989	2016	2024	2022	2028
	25	1537	1608	1605	1645	1700	1758	1785	1788	1773	
	65							14253	16409	18468	20779
	55	6374	6901	7648	9331	11099	13345	15283	17068	19075	21061
YW185C1-V100	50	6700	7232	8045	10078	11561	13692	15559	17336	19413	21380
	45	7003	7754	8774	10476	11996	13931	15802	17639	19841	22069
	40	7370	8494	9076	10820	12109	14082	15889	17900	20237	22882
	35	8289	8703	9548	11097	12297	14249	16171	18276	20807	23529
	25	8209	8688	9429	11007	12155	14146	16246	18582	21443	
	65							5773	5660	5641	5650
	55	3612	3857	4117	4395	4360	4465	4461	4398	4395	4414
	50	3564	3647	3730	3851	3844	3925	3953	3905	3908	3930
	45	3174	3278	3349	3406	3469	3486	3539	3536	3530	3542
	40	2677	2818	2927	3004	3078	3136	3166	3185	3128	3180
YW135C1-V100	35	2371	2500	2589	2655	2711	2781	2818	2830	2827	2835
	25	2186	2260	2244	2299	2376	2457	2495	2500	2478	

Remarks: Subcooling 8.3°C, S.H 11.1°C  
EVI Control rule: Discharge temp.≤112°C, control injecting superheat=6K; Discharge temp.>112°C, control injecting making Discharge temp.=112°C.

# YW/YSW Series Capacity

## R410A

### Classic Series(With EVI)

Model	C.T. (°C)	E.T. (°C)													
		-30	-25	-20	-15	-10	-5	0	5	10	15				
YW135C1-V100	65											17079	19651	22107	24864
	55	7823	8429	9317	11190	13299	15979	18291	20420	22814	25184				
	50	8175	8812	10137	12074	13843	16386	18615	20734	23211	25558				
	45	8556	9462	10511	12543	14357	16666	18899	21090	23718	26376				
	40	9018	10382	10866	12948	14487	16841	18998	21397	24185	27341				
	35	10154	10647	11425	13274	14707	17036	19330	21841	24861	28108				
	25	10060	10634	11278	13162	14533	16909	19415	22202	25615					
	65							6962	6826	6803	6814				
	55	4429	4688	4977	5300	5259	5385	5381	5304	5300	5324				
	50	4320	4406	4499	4644	4636	4734	4768	4710	4714	4740				
YW160C1-V100	45	3849	3960	4039	4108	4184	4204	4268	4264	4257	4272				
	40	3250	3406	3530	3623	3712	3782	3819	3842	3772	3836				
	35	2880	3022	3122	3203	3270	3354	3398	3413	3410	3419				
	25	2656	2732	2706	2773	2866	2963	3009	3015	2989					
	65							19882	22918	25814	29063				
	55	9184	9875	10910	13000	15487	18642	21367	23879	26701	29494				
	50	9582	10334	11637	14065	16151	19145	21770	24270	27190	29955				
	45	10067	11141	12245	14637	16773	19494	22123	24705	27803	30936				
	40	10657	12278	12682	15132	16943	19715	22255	25083	28371	32089				
	35	12043	12619	13355	15532	17217	19959	22662	25621	29181	33007				
YW185C1-V100	25	11943	12620	13196	15414	17027	19824	22776	26061	30085					
	65							7958	7803	7777	7789				
	55	5106	5380	5697	6059	6011	6155	6150	6063	6058	6085				
	50	4951	5041	5142	5309	5299	5411	5449	5384	5388	5418				
	45	4413	4531	4617	4695	4782	4805	4878	4874	4866	4883				
	40	3727	3897	4035	4141	4243	4323	4365	4391	4312	4384				
	35	3304	3459	3569	3661	3738	3833	3885	3901	3897	3908				
	25	3049	3127	3093	3169	3276	3387	3440	3446	3416					
	65							23405	26929	30295	34073				
	55	10721	11551	12768	15334	18225	21897	25066	27983	31264	34512				
YW152C2-V100	50	11202	12076	13892	16545	18970	22456	25509	28413	31808	35024				
	45	11725	12967	14404	17188	19675	22839	25899	28901	32502	36145				
	40	12358	14227	14891	17744	19852	23079	26034	29322	33142	37467				
	35	13915	14590	15657	18191	20154	23345	26489	29931	34069	38518				
	25	13786	14573	15455	18036	19915	23171	26606	30425	35102					
	65							9541	9355	9323	9338				
	55	6069	6424	6821	7264	7206	7379	7373	7269	7263	7296				
	50	5920	6038	6165	6365	6353	6488	6533	6455	6460	6495				
	45	5275	5427	5535	5629	5733	5761	5849	5844	5834	5855				
	40	4454	4667	4837	4965	5087	5183	5233	5264	5169	5256				
YW160C1-V100	35	3947	4142	4278	4389	4481	4596	4657	4677	4672	4685				
	25	3640	3744	3709	3800	3927	4061	4124	4131	4096					

Remarks: Subcooling 8.3°C, S.H 11.1°C  
EVI Control rule: Discharge temp.≤112°C, control injecting superheat=6K; Discharge temp.>112°C, control injecting making Discharge temp.=112°C.



# YW/YSW Series

# R410A

## Capacity

### Classic Series(With EVI)

Model	C.T. (°C)	E.T. (°C)									
		-30	-25	-20	-15	-10	-5	0	5	10	15
YW270C1-V100	65							34312	39668	44968	46362
	55	18789	20892	22636	25069	27154	32549	37080	41506	46750	48269
	50	18252	20463	21621	24300	28334	33491	37848	42253	47699	49443
	45	18300	20509	21151	25245	29230	34109	38439	42906	48736	50759
	40	18064	21404	21878	25986	29561	34466	38723	43627	49825	52653
	35	18021	20329	22957	26651	30075	34945	39488	44632	51325	53973
	25	18417	20979	22540	26433	29768	34747	39734	45459	53001	58341
	65							13327	13066	12896	12758
	55	10043	10152	10413	10815	10476	10461	10299	10153	10047	9971
	50	8751	8873	9041	9348	9236	9197	9126	9016	8935	8884
YW300C1-V100*	45	8023	8122	8189	8268	8128	8127	8090	8005	7954	7931
	40	7024	7121	7185	7218	7212	7239	7239	7212	7048	7129
	35	6154	6269	6328	6381	6353	6419	6442	6407	6370	6363
	25	5325	5435	5373	5524	5567	5672	5704	5660	5584	5543
	65							37594	43462	49269	50793
	55	20690	22959	24839	27479	29752	35662	40626	45476	51221	52882
	50	20051	22452	23703	26625	31044	36694	41468	46295	52262	54169
	45	20104	22502	23188	27660	32026	37371	42115	47010	53397	55611
	40	19844	23482	23984	28472	32389	37763	42427	47800	54591	57686
	35	19796	22304	25166	29201	32952	38287	43265	48901	56234	59132
YW320C1-V100*	25	20230	23016	24708	28961	32615	38071	43535	49807	58070	63918
	65							14602	14316	14130	13975
	55	11106	11191	11447	11862	11478	11462	11284	11124	11008	10921
	50	9642	9753	9920	10242	10120	10077	9999	9878	9790	9731
	45	8843	8930	8986	9059	8905	8904	8864	8771	8714	8686
	40	7748	7832	7886	7908	7902	7931	7902	7722	7722	7807
	35	6794	6899	6947	6991	6960	7033	7058	7019	6980	6969
	25	5886	5985	5900	6053	6100	6215	6250	6201	6119	6070
	65							38779	44833	50822	52395
	55	21342	23683	25622	28346	30690	36787	41907	46910	52836	54549
YW320C1-V100*	50	20684	23160	24451	27464	32023	37851	42776	47755	53910	55877
	45	20738	23211	23919	28532	33036	38550	43443	48492	55081	57364
	40	20469	24222	24740	29370	33410	38954	43765	49307	56312	59504
	35	20420	23007	25960	30121	33991	39495	44629	50443	58007	60996
	25	20868	23742	25487	29875	33643	39271	44908	51378	59901	65933
	65							15062	14768	14575	14416
	55	11457	11544	11808	12236	11840	11823	11640	11475	11355	11266
	50	9947	10061	10232	10565	10439	10395	10314	10190	10099	10038
	45	9122	9212	9269	9344	9186	9185	9143	9047	8989	8960
	40	7993	8079	8134	8157	8151	8181	8151	8151	7965	8053
YW320C1-V100*	35	7008	7116	7166	7211	7180	7255	7281	7241	7200	7188
	25	6071	6174	6086	6244	6292	6411	6447	6396	6311	6261

Remarks: Subcooling 8.3°C, S.H 11.1°C  
EVI Control rule: Discharge temp.≤112°C, control injecting superheat=6K; Discharge temp.>112°C, control injecting making Discharge temp.=112°C.

# YW/YSW Series

# R410A

## Capacity

### Classic Series(With EVI)

Model	C.T. (°C)	E.T. (°C)											
		-30	-25	-20	-15	-10	-5	0	5	10	15		
YW340C1-V100*	65									48324	55467	64194	74759
	55	21441	24158	26870	29831	33296	37520	42755	49258	57281	67080		
	50	20680	23455	26194	29151	32580	36736	41873	48246	56108	65714		
	45	20264	23224	26116	29195	32716	36932	42097	48467	56295	65835		
	40	20069	23341	26514	29843	33581	37984	43305	49798	57719	67321		
	35	19973	23684	27265	30970	35054	39770	45373	52118	60258	70049		
	25	19591	24562	29339	34178	39332	45057	51606	59234	68194	78742		
	65								16541	16703	16986	17421	
	55	12385	12514	12568	12579	12578	12596	12665	12816	13080	13489		
	50	10930	11085	11162	11191	11204	11232	11307	11460	11723	12126		
YW400C1-V100**	45	9762	9948	10052	10104	10136	10180	10266	10427	10693	11095		
	40	8827	9049	9185	9266	9323	9387	9490	9663	9937	10344		
	35	8073	8337	8511	8625	8711	8801	8926	9116	9404	9821		
	25	6900	7262	7526	7723	7884	8040	8224	8465	8796	9247		
	65								58131	66724	77222	89930	
	55	25792	29060	32323	35885	40053	45134	51432	59254	68906	80693		
	50	24877	28215	31510	35067	39192	44192	50371	58037	67495	79050		
	45	24376	27937	31416	35120	39355	44427	50641	58303	67719	79196		
	40	24141	28077	31895	35899	40396	45692	52093	59904	69432	80983		
	35	24026	28491	32798	37255	42167	47841	54581	62695	72487	84264		
YW400C1-V100**	25	23567	29546	35293	41114	47314	54201	62079	71255	82034	94723		
	65								19898	20093	20433	20957	
	55	14898	15054	15119	15132	15131	15153	15235	15417	15734	16226		
	50	13149	13335	13427	13462	13478	13512	13602	13786	14102	14586		
	45	11743	11967	12091	12154	12193	12246	12350	12543	12862	13347		
	40	10618	10886	11049	11147	11215	11292	11416	11624	11954	12443		
	35	9711	10029	10238	10375	10479	10587	10737	10966	11313	11814		
	25	8300	8736	9053	9290	9484	9672	9892	10183	10581	11124		

Remarks: Subcooling 8.3°C, S.H 11.1°C  
EVI Control rule: Discharge temp.≤112°C, control injecting superheat=6K; Discharge temp.>112°C, control injecting making Discharge temp.=112°C.



# YW/YSW Series

## Capacity

# R407C

## Classic Series

Model	C.T. (°C)	E.T. (°C)							
		-20	-15	-10	-5	0	5	10	15
YW75T2-102	70					8420	9656	10955	12385
	65				7924	8352	9733	11131	12684
	55		6194	6752	7610	8776	9929	11580	13281
	50	5455	5943	6660	7740	8951	10334	11834	13581
	45	5353	5802	6641	7897	9121	10477	12067	13869
	35	5439	6101	6957	8200	9498	10883	12581	14355
	25	4775	5427	6810	8504	9905	11271	12094	9633
	70					3489	3570	3756	3903
	65				3049	3139	3209	3376	3509
	55		2375	2472	2547	2661	2740	2865	2998
YW110T2-100	70	2071	2162	2242	2391	2494	2562	2674	2820
	45	1898	1971	2120	2253	2313	2343	2469	2621
	35	1628	1743	1858	1973	1999	2054	2199	2345
	25	1361	1487	1613	1738	1789	1838	1896	1323
	70					12364	14184	16097	18203
	65				11638	12267	14302	16361	18649
	55		9097	9918	11182	12899	14734	17030	19536
	50	8012	8731	9787	11377	13160	15197	17407	19980
	45	7864	8525	9760	11610	13412	15411	17753	20408
	35	7996	8969	10230	12061	13973	16014	18515	21128
YW135T1-100	25	7021	7980	10016	12512	14575	16589	17801	14181
	70					4955	5069	5333	5543
	65				4330	4457	4557	4794	4984
	55		3373	3510	3617	3779	3927	4068	4258
	50	2941	3070	3184	3396	3542	3638	3797	4005
	45	2696	2799	3011	3199	3284	3328	3506	3722
	35	2312	2475	2638	2802	2839	2917	3123	3330
	25	1933	2111	2290	2469	2541	2610	2693	1879
	70					8319	9552	10847	12273
	65				7835	8260	9640	11033	12583
YW75T1-100	55		6125	6680	7536	8699	9942	11498	13195
	50	5395	5880	6595	7671	8879	10261	11758	13500
	45	5298	5745	6580	7832	9054	10410	11996	13795
	35	5392	6051	6904	8144	9441	10825	12519	14290
	25	4736	5385	6764	8455	9854	11219	12041	9596
	70					3354	3432	3610	3752
	65				2931	3017	3085	3245	3374
	55		2283	2376	2448	2558	2658	2754	2882
	50	1991	2078	2156	2299	2398	2463	2571	2711
	45	1825	1895	2038	2166	2223	2253	2373	2520
YW110T1-100	35	1565	1676	1786	1897	1922	1975	2114	2254
	25	1308	1429	1550	1671	1720	1767	1823	1272

Remarks: Subcooling 8.3°C, S.H 11.1°C  
 Transition Area

# YW/YSW Series

## Capacity

# R407C

## Classic Series

Model	C.T. (°C)	E.T. (°C)										
		-20	-15	-10	-5	0	5	10	15			
YW110T1-100	70							12287	14105	16014	18117	
	65							11571	12198	14232	16286	18572
	55			9045	9863	11126	12841	14673	16967	19470		
	50	7966	8683	9737	11324	13104	15141	17348	19917			
	45	7822	8482	9713	11560	13361	15359	17698	20350			
	35	7960	8931	10189	12017	13929	15969	18466	21077			
	25	6990	7947	9981	12474	14536	16548	17760	14152			
	70						4878	4991	5250	5456		
	65					4262	4388	4487	4720	4906		
	55		3320	3455	3561	3720	3866	4005	4192			
YW135T1-100	50	2895	3022	3135	3343	3487	3582	3738	3943			
	45	2654	2756	2964	3150	3233	3276	3451	3664			
	35	2276	2437	2597	2758	2795	2872	3075	3278			
	25	1902	2078	2254	2430	2501	2570	2651	1849			
	70						14694	16884	19178	21708		
	65					13846	14599	17048	19519	22269		
	55		10824	11807	13326	15390	17594	20357	23369			
	50	9534	10394	11663	13570	15713	18166	20822	23914			
	45	9366	10158	11638	13859	16029	18436	21251	24443			
	35	9540	10707	12220	14420	16723	19180	22186	25327			
YW160T1-100	25	8381	9530	11977	14978	17462	19885	21344	17014			
	70						5764	5897	6204	6448		
	65					5037	5185	5302	5577	5798		
	55		3924	4083	4208	4396	4568	4733	4953			
	50	3421	3571	3705	3951	4120	4233	4418	4660			
	45	3136	3256	3503	3722	3821	3872	4078	4330			
	35	2689	2879	3069	3259	3302	3393	3633	3874			
	25	2248	2456	2664	2872	2956	3037	3132	2186			
	70						17198	19761	22446	25407		
	65					16205	17086	19953	22845	26063		
YW110T2-100	55		12668	13819	15597	18011	20592	23825	27350			
	50	11158	12165	13649	15882	18390	21260	24370	27989			
	45	10962	11889	13621	16220	18759	21577	24872	28607			
	35	11166	12531	14301	16876	19572	22448	25965	29643			
	25	9809	11153	14017	17530	20437	23273	24980	19913			
	70						6746	6902	7261	7546		
	65					5895	6069	6205	6527	6785		
	55		4592	4779	4925	5145	5347	5539	5797			
	50	4004	4180	4336	4624	4822	4954	5170	5453			
	45	3670	3811	4100	4356	4472	4531	4773	5068			
YW75T2-102	35	3148	3370	3592	3815	3865	3972	4252	4534			
	25	2631	2875	3118	3361	3459	3554	3666	2558			

Remarks: Subcooling 8.3°C, S.H 11.1°C  
 Transition Area

# YW/YSW Series Capacity

## R407C Classic Series

Model	C.T. (°C)	E.T. (°C)										
		-20	-15	-10	-5	0	5	10	15			
YW185T1-100	Heating Capacity (W)	70					20850	23473	26491	29947		
		65				18543	20962	23747	26932	30580		
		55		14237	16307	18668	21368	24107	27973	31974		
		50	12209	14142	16328	18814	21648	24877	28549	32711		
		45	12087	14117	16408	19010	21968	25331	29145	33459		
	Power (W)	35	12031	14225	16700	19503	22680	26280	6836	34939		
		25	12146	14466	17085	20049	23407	27205	31492	36315		
		70					8676	8679	8686	8707		
		65				7751	7754	7760	7768	7802		
		55		6152	6186	6203	6214	6230	6262	6320		
YW205T1-100	Heating Capacity (W)	50	5416	5489	5533	5561	5583	5609	5650	5717		
		45	4829	4910	4964	5001	5031	5065	5114	5189		
		35	3863	3959	4026	4076	4118	4163	4223	4307		
		25	3092	3196	3270	3326	3373	3423	3487	3575		
		70					21934	25020	28460	32226		
	Power (W)	65				19756	22406	25436	28846	32715		
		55		15059	17362	19967	22872	26173	29918	34159		
		50	13067	15079	17431	20124	23156	26603	30511	34934		
		45	13149	15145	17521	20317	23473	27062	31132	35735		
		35	13172	15246	17780	20774	24171	28039	32425	37379		
YW245T1-100	Heating Capacity (W)	25	13345	15449	18093	21276	24904	29039	33729	39026		
		70					9113	9359	9560	9863		
		65				8816	8848	8861	8857	9064		
		55		6927	6969	6993	6999	7024	7083	7325		
		50	6024	6110	6177	6225	6252	6301	6385	6644		
	Power (W)	45	5329	5426	5505	5566	5609	5678	5785	6058		
		35	4215	4323	4414	4486	4552	4649	4789	5082		
		25	3318	3424	3512	3581	3654	3762	3920	4220		
		70					25723	29365	33428	37873		
		65				23154	26286	29868	33900	38469		
YW25T1-100	Heating Capacity (W)	55		17644	20367	23445	26879	30782	35207	40216		
		50	15310	17686	20466	23648	27232	31306	35925	41148		
		45	15423	17780	20587	23891	27622	31864	36673	42108		
		35	15476	17926	20919	24457	28472	33042	38224	44075		
		25	15701	18186	21310	25072	29358	34245	39786	46041		
	Power (W)	70					10563	10848	11080	11432		
		65				10218	10255	10271	10265	10506		
		55		8029	8078	8106	8112	8141	8209	8490		
		50	6983	7081	7159	7215	7246	7303	7401	7701		
		45	6177	6289	6381	6451	6502	6581	6706	7022		
35	4885	5011	5116	5199	5276	5389	5551	5891				
25	3846	3969	4070	4151	4235	4360	4544	4891				

Remarks: Subcooling 8.3°C, S.H 11.1°C  
 Transition Area

# YW/YSW Series Capacity

## R407C Classic Series

Model	C.T. (°C)	E.T. (°C)									
		-20	-15	-10	-5	0	5	10	15		
YW285T1-100	Heating Capacity (W)	70						29466	33652	38322	43431
		65				26516	30117	34237	38874	44127	
		55		20203	23334	26874	30824	35312	40402	46159	
		50	17530	20262	23458	27118	31240	35925	41237	47240	
		45	17669	20379	23607	27406	31696	36574	42105	48353	
	Power (W)	35	17745	20561	24003	28071	32688	37944	43902	50628	
		25	18015	20873	24464	28790	33720	39339	45710	52900	
		70					12028	12352	12617	13017	
		65				11635	11677	11695	11689	11963	
		55		9143	9198	9230	9237	9271	9348	9668	
YW320T1-100	Heating Capacity (W)	50	7951	8064	8152	8216	8251	8316	8427	8769	
		45	7033	7162	7266	7346	7403	7494	7636	7996	
		35	5563	5706	5825	5920	6008	6136	6321	6708	
		25	4379	4519	4635	4726	4823	4965	5174	5570	
		70						33314	38047	43326	49103
	Power (W)	65				29978	34050	38708	43951	49890	
		55		22841	26381	30384	34850	39924	45678	52187	
		50	19819	22908	26522	30659	35319	40617	46621	53409	
		45	19977	23041	26690	30985	35835	41350	47604	54667	
		35	20062	23246	27138	31737	36957	42898	49635	57239	
YW320T1-100	Heating Capacity (W)	25	20367	23598	27659	32550	38123	44476	51679	59808	
		70						13598	13965	14264	14717
		65				13155	13202	13223	13216	13525	
		55		10337	10399	10435	10443	10481	10568	10931	
		50	8990	9117	9216	9289	9329	9402	9528	9914	
	Power (W)	45	7952	8097	8215	8305	8370	8472	8633	9040	
		35	6289	6451	6586	6694	6793	6937	7146	7584	
		25	4951	5109	5240	5344	5452	5614	5850	6297	

Remarks: Subcooling 8.3°C, S.H 11.1°C  
 Transition Area



# YW/YSW Series Capacity

# R407C Classic Series

Model	C.T. (°C)	E.T. (°C)							
		-20	-15	-10	-5	0	5	10	15
YSW340T1G-100	65	19620	22968	26913	32329	36485	41238	46582	52677
	55	19635	24675	28291	32377	36931	42109	47986	54671
	50	21413	24579	28276	32504	37260	42670	48809	55780
	45	21434	24577	28313	32704	37657	43294	49690	56945
	35	21298	24565	28550	33254	38588	44665	51561	59371
YSW400T1G-100	65	23083	27021	31662	38034	42923	48515	54802	61973
	55	23100	29029	33284	38091	43448	49540	56455	64319
	50	25192	28916	33266	38240	43835	50200	57422	65624
	45	25217	28914	33309	38475	44302	50934	58458	66994
	35	25056	28900	33589	39122	45398	52548	60660	69848
YSW340T1G-100	65	13305	14456	15065	17165	17199	17253	17244	17646
	55	11532	13488	13570	13616	13627	13677	13790	14262
	50	11730	11896	12026	12120	12173	12267	12433	12935
	45	10376	10565	10719	10837	10922	11055	11264	11794
	35	8206	8418	8594	8734	8863	9052	9324	9895
25	6460	6667	6837	6972	7115	7325	7634	8216	

Remarks: Subcooling 8.3°C, S.H 11.1°C  
 Transition Area

# YW/YSW Series Capacity

# R407C Classic Series(With EVI)

Model	C.T. (°C)	E.T. (°C)									
		-30	-25	-20	-15	-10	-5	0	5	10	15
YW75T2-V102	70	5425	6226	6915	7697	8353	9245	8420	9656	10955	12385
	65	5401	6186	6885	7743	8092	9088	9627	11203	12663	12684
	55	5343	6010	6636	7324	7769	8691	9943	11083	12715	14393
	50	5269	5876	6453	6938	7608	8787	10016	11366	12800	14499
	45	5346	5811	6265	6644	7572	8880	10073	11366	12891	14641
YW110T2-V100	70	2532	2800	3063	3381	3506	3662	3489	3570	3756	3903
	65	2396	2623	2846	3346	3223	3384	3496	3522	3657	3509
	55	2176	2301	2467	2703	2719	2797	2891	2949	3052	3161
	50	2058	2138	2257	2400	2453	2592	2685	2739	2830	2956
	45	1876	1953	2050	2140	2284	2417	2473	2492	2599	2732
YW152T2-V100	70	7978	9164	10181	11334	12312	13642	12364	14184	16097	18203
	65	7951	9116	10150	11406	11939	13357	14151	16475	18626	18649
	55	7880	8874	9803	10765	11422	12779	14623	16455	18705	21178
	50	7776	8684	9494	10201	11188	12925	14732	16721	18833	21335
	45	7905	8599	9217	9770	11138	13063	14818	16722	18968	21545
YW152T2-V100	70	4808	5264	5711	6714	6467	6728	6950	7003	7271	6977
	65	4367	4617	4950	5374	5406	5560	5747	5918	6067	6284
	50	4130	4290	4487	4772	4877	5152	5338	5445	5626	5877
	45	3764	3920	4076	4255	4541	4805	4916	4955	5167	5433
	35	2912	3157	3391	3637	3900	4164	4227	4322	4560	4794
25	2419	2553	2742	3054	3372	3679	3794	3854	3870	2632	

Remarks: Subcooling 8.3°C, S.H 11.1°C  
 EVI Control rule: Discharge temp.: ≤112°C, control injecting superheat=6K; Discharge temp.: >112°C, control injecting making Discharge temp.=112°C.  
 Transition Area  EVI off Area



# YW/YSW Series

# R407C

## Capacity

### Classic Series(With EVI)

Model	C.T. (°C)	E.T. (°C)										
		-30	-25	-20	-15	-10	-5	0	5	10	15	
YW75T1-V100	Heating Capacity (W)	70	5388	6188	6875	7653	8313	9210	8319	9552	10847	12273
		65	5369	6155	6853	7702	8060	8991	9528	11103	12560	12583
		55	5320	5991	6618	7247	7692	8612	9861	11102	12628	14304
		50	5250	5862	6391	6870	7539	8714	9940	11289	12720	14416
		45	5336	5804	6208	6583	7508	8812	10003	11296	12818	14564
		35	5050	5665	6283	6935	7741	8937	10169	11491	13164	14914
	Power (W)	25	5009	5642	5407	5981	7356	9038	10409	11779	12637	10072
		70	2457	2717	2972	3280	3402	3553	3354	3432	3610	3752
		65	2325	2545	2762	3247	3127	3253	3361	3386	3516	3374
		55	2112	2232	2394	2599	2614	2689	2779	2861	2934	3039
		50	1997	2074	2170	2308	2358	2491	2581	2633	2720	2842
		45	1820	1895	1971	2058	2196	2323	2377	2396	2498	2627
		35	1408	1527	1640	1759	1886	2013	2044	2090	2205	2318
YW110T1-V100	Heating Capacity (W)	25	1170	1235	1326	1477	1631	1779	1835	1864	1871	1273
		70	7922	9101	10112	11259	12234	13560	12287	14105	16014	18117
		65	7898	9057	10087	11332	11867	13282	14073	16397	18545	18572
		55	7831	8823	9748	10706	11362	12718	14560	16389	18637	21108
		50	7730	8637	9444	10148	11134	12867	14673	16660	18770	21270
		45	7864	8556	9172	9723	11088	13009	14763	16667	18911	21485
	Power (W)	35	7452	8361	9279	10241	11427	13189	15003	16951	19418	21999
		25	7398	8334	7985	8830	10855	13334	15354	17374	18640	14855
		70	3573	3951	4322	4770	4947	5167	4878	4991	5250	5456
		65	3381	3701	4016	4721	4547	4731	4887	4924	5113	4906
		55	3071	3246	3481	3779	3801	3910	4041	4161	4266	4419
		50	2904	3017	3155	3356	3429	3623	3753	3829	3956	4132
		45	2646	2756	2866	2992	3193	3379	3457	3484	3633	3820
YW135T1-V100	Heating Capacity (W)	35	2048	2220	2384	2558	2742	2928	2972	3039	3207	3371
		25	1701	1796	1928	2147	2371	2587	2668	2710	2721	1851
		70	9464	10877	12087	13458	14629	16223	14694	16884	19178	21708
		65	9440	10829	12063	13547	14196	15897	16848	19648	22232	22269
		55	9367	10558	11668	12815	13606	15237	17454	19656	22364	25338
		50	9249	10339	11309	12498	13339	15424	17597	19991	22531	25540
	Power (W)	45	9416	10248	10987	12214	13289	15601	17713	20008	22708	25807
		35	8934	10025	11128	12284	13709	15828	18014	20361	23330	26437
		25	8877	10003	10835	12120	13029	16011	18444	20878	22403	17862
		70	4222	4669	5107	5637	5846	6106	5764	5897	6204	6448
		65	3995	4374	4746	5579	5374	5591	5775	5819	6042	5798
		55	3629	3836	4113	4466	4492	4620	4776	4917	5041	5222
		50	3432	3565	3729	3966	4052	4281	4436	4525	4675	4883

Remarks: Subcooling 8.3°C, S.H 11.1°C  
 EVI Control rule: Discharge temp.:≤112°C, control injecting superheat=6K; Discharge temp.:>112°C, control injecting making Discharge temp.=112°C.

Transition Area EVI off Area

# YW/YSW Series

# R407C

## Capacity

### Classic Series(With EVI)

Model	C.T. (°C)	E.T. (°C)										
		-30	-25	-20	-15	-10	-5	0	5	10	15	
YW160T1-V100	Heating Capacity (W)	70	11076	12730	14146	15751	17122	18987	17198	19761	22446	25407
		65	11048	12675	14118	15855	16615	18606	19718	22995	26020	26063
		55	10962	12356	13656	14998	15924	17833	20428	23005	26174	29655
		50	10825	12100	13235	14224	15612	18052	20596	23397	26370	29891
		45	11020	11994	12859	13634	15553	18259	20731	23416	26577	30204
		35	10456	11733	13024	14377	16045	18524	21083	23830	27305	30941
	Power (W)	25	10389	11708	11212	12398	15248	18739	21586	24435	26220	20905
		70	4942	5465	5978	6597	6842	7146	6746	6902	7261	7546
		65	4676	5119	5554	6530	6289	6543	6759	6810	7071	6785
		55	4247	4490	4814	5227	5257	5408	5590	5755	5900	6112
		50	4017	4172	4364	4641	4743	5011	5191	5295	5471	5715
		45	3660	3812	3964	4138	4416	4673	4781	4819	5025	5283
		35	2832	3071	3298	3538	3793	4049	4111	4203	4435	4662
YW185T1-V100	Heating Capacity (W)	25	2353	2483	2667	2970	3280	3578	3690	3748	3764	2560
		70	12969	14905	16564	18442	20047	22231	20137	23137	26282	29748
		65	12936	14840	16531	18565	19454	21785	23088	26925	30467	30517
		55	12836	14468	15990	17561	18645	20880	23918	26936	30647	34722
		50	12674	14168	15497	17127	18279	21137	24115	27395	30876	34999
		45	12903	14043	15057	16738	18211	21379	24274	27418	31119	35365
	Power (W)	35	12242	13738	15250	16833	18786	21690	24685	27902	31971	36229
		25	12165	13708	14848	16609	17854	21941	25275	28611	30700	24477
		70	5786	6398	6999	7725	8012	8367	7894	8082	8502	8836
		65	5475	5994	6503	7646	7364	7662	7914	7974	8279	7945
		55	4973	5257	5637	6120	6155	6332	6545	6739	6909	7156
		50	4703	4885	5110	5434	5553	5867	6078	6200	6406	6692
		45	4286	4463	4641	4845	5171	5472	5598	5642	5884	6186
YW205T1-V100	Heating Capacity (W)	35	3316	3595	3861	4142	4441	4741	4813	4922	5193	5459
		25	2755	2908	3122	3477	3840	4189	4320	4389	4407	2998
		70	10477	12132	14035	16521	18818	21758	22299	25448	28959	32802
		65	10638	12265	14053	16984	19057	22962	26246	29759	33405	37568
		55	10731	12288	14291	18018	20274	23188	26380	29769	33480	37738
		50	11368	12758	15660	17850	20242	23261	26402	29822	33646	38030
	Power (W)	45	12125	13269	15565	17624	20349	23286	26427	29929	33912	38467
		35	12485	13594	15565	17789	20329	23247	26541	30345	34773	39802
		25	13317	14158	15594	17563	20086	23189	26813	31089	36141	41842
		70	6301	6968	7622	8412	8725	9112	9113	9359	9560	9863
		65	5962	6527	7082	8326	8019	9786	9854	9726	9594	9693
		55	5416	5725	6138	7884	7666	7679	7603	7561	7544	7723
		50	5121	5320	5667	6784	6757	6746	6730	6735	6757	6963

Remarks: Subcooling 8.3°C, S.H 11.1°C  
 EVI Control rule: Discharge temp.:≤112°C, control injecting superheat=6K; Discharge temp.:>112°C, control injecting making Discharge temp.=112°C.

Transition Area EVI off Area



# YW/YSW Series Capacity

## R407C

### Classic Series(With EVI)

Model	C.T. (°C)	E.T. (°C)												
		-30	-25	-20	-15	-10	-5	0	5	10	15			
YW245T1-V100	Heating Capacity (W)	70	12387	14342	16593	19531	22248	25723	26152	29869	34015	38551		
		65	12576	14500	16614	20079	22530	26920	30801	34957	39271	44190		
		55	12687	14528	16896	21118	23791	27235	31011	35019	39407	44437		
	Power (W)	70	14335	15687	18268	20699	23921	27391	31104	35243	39951	45331		
		65	14760	16072	18299	20926	23925	27373	31265	35761	40995	46934		
		55	15743	16738	18358	20682	23661	27326	31609	36662	42634	49369		
	YW285T1-V100	Heating Capacity (W)	70	7449	8238	9011	9945	10315	10772	10563	10848	11080	11432	
			65	7048	7717	8373	9844	9481	11342	11421	11273	11120	11235	
			55	6403	6768	7257	9138	8886	8901	8812	8764	8744	8951	
		Power (W)	70	6055	6289	7611	7863	7831	7819	7800	7806	7832	8070	
			65	5518	5747	6671	6829	6873	6921	6952	6998	7059	7320	
			55	4269	4629	5118	5260	5402	5519	5612	5703	5789	6057	
		YW320T1-V100	Heating Capacity (W)	70	3547	3744	3897	4100	4281	4418	4518	4599	4665	4896
				65	14247	16497	19085	22465	25589	29587	29959	34230	38997	44210
				55	14465	16678	19109	23095	25914	30833	35296	40078	45041	50698
Power (W)			70	14592	16710	19433	24185	27263	31224	35568	40178	45225	51008	
			65	15459	17348	20897	24001	27256	31360	35633	40284	45483	51435	
			55	16488	18043	20935	23730	27434	31426	35896	40456	45870	52055	
YW320T1-V100			Heating Capacity (W)	70	16977	18486	20989	24008	27457	31421	35897	41067	47085	53914
				65	18108	19252	21070	23741	27165	31380	36304	42116	48984	56728
				55	8568	9475	10364	11439	11864	12390	12028	12352	12617	13017
	Power (W)		70	8107	8876	9630	11322	10905	12915	13006	12836	12662	12793	
			65	7364	7785	8347	10406	10118	10135	10034	9979	9957	10193	
			55	6964	7234	8667	8954	8917	8904	8882	8889	8919	9189	
	YW320T1-V100		Heating Capacity (W)	70	6346	6610	7596	7777	7826	7881	7916	7969	8038	8335
				65	4910	5324	5828	5990	6151	6284	6390	6494	6592	6898
				55	4080	4306	4438	4669	4875	5030	5144	5237	5312	5575
		Power (W)	70	16107	18651	21577	25399	28931	33450	33976	38808	44199	50097	
			65	16354	18855	21605	26111	29298	35008	40056	45472	51081	57480	
			55	16498	18892	21971	27468	30949	35421	40332	45538	51239	57777	
		YW320T1-V100	Heating Capacity (W)	70	17477	19614	23763	27251	30923	35565	40389	45639	51513	58243
				65	18641	20400	23786	26930	31120	35626	40444	45819	51938	58932
				55	19194	20900	23828	27235	31122	35593	40645	46487	53295	61021
Power (W)			70	20473	21766	23900	26907	30766	35523	41087	47660	55434	64201	
			65	9687	10712	11718	12932	13413	14008	13081	13435	13722	14156	
			55	9166	10035	10888	12801	12329	14047	14145	13961	13772	13913	
YW320T1-V100			Heating Capacity (W)	70	8326	8801	9437	11318	11005	11023	10914	10853	10829	11085
				65	7874	8178	9426	9738	9699	9684	9661	9668	9700	9994
				55	7175	7473	8262	8458	8512	8571	8609	8667	8743	9064
	Power (W)		70	5551	6020	6339	6515	6690	6835	6950	7063	7169	7501	
			65	4613	4868	4827	5078	5302	5471	5595	5695	5777	6062	

Remarks: Subcooling 8.3°C, S.H 11.1°C  
EVI Control rule: Discharge temp.:≤112°C, control injecting superheat=6K; Discharge temp.:>112°C, control injecting making Discharge temp.=112°C.

Transition Area      EVI off Area

# YW/YSW Series Capacity

## R407C

### Classic Series(With EVI)

Model	C.T. (°C)	E.T. (°C)												
		-30	-25	-20	-15	-10	-5	0	5	10	15			
YSW340T1G-V100	Heating Capacity (W)	65	17743	20375	23251	28045	31153	37119	42172	47550	53120	59529		
		55	17756	20220	23392	29170	32596	37063	41948	47136	52822	59389		
		50	18664	20844	25179	28709	32369	36999	41811	47053	52921	59685		
	Power (W)	45	19718	21519	25022	28190	32381	36888	41703	47079	53198	60278		
		35	20018	21793	24766	28193	32101	36587	41648	47497	54308	62071		
		25	21150	22480	24604	27644	31531	36306	41879	48456	56228	65023		
	YSW400T1G-V100	Heating Capacity (W)	65	10567	11570	12553	14758	14214	16195	16282	16096	15878	16040	
			55	9599	10147	10881	13048	12688	12709	12583	12513	12485	12780	
			50	9078	9429	10868	11227	11182	11165	11138	11146	11184	11522	
		Power (W)	45	8273	8616	9525	9752	9814	9882	9926	9993	10080	10451	
			35	6400	6940	7308	7511	7713	7880	8013	8144	8266	8649	
			25	5318	5613	5565	5854	6113	6307	6451	6567	6661	6990	
		YSW400T1G-V100	Heating Capacity (W)	65	20874	23970	27354	32994	36650	43669	49614	55942	62494	70034
				55	20890	23788	27519	34318	38348	43603	49351	55454	62144	69869
				50	21958	24522	29622	33775	38081	43529	49189	55357	62260	70217
Power (W)			45	23197	25317	29437	33165	38095	43397	49063	55386	62586	70857	
			35	23551	25639	29136	33169	37766	43044	48998	55879	63892	73025	
			25	24882	26448	28946	32522	37095	42713	49269	57007	66151	76498	
YSW400T1G-V100			Heating Capacity (W)	65	12432	13612	14768	17363	16723	19053	19156	18936	18680	18871
				55	11293	11938	12801	15351	14927	14952	14804	14722	14688	15036
				50	10680	11093	12786	13209	13155	13135	13104	13113	13157	13555
	Power (W)		45	9732	10136	11206	11473	11545	11626	11678	11756	11858	12295	
			35	7530	8165	8598	8836	9074	9271	9427	9581	9724	10175	
			25	6256	6603	6547	6887	7191	7420	7589	7725	7837	8223	

Remarks: Subcooling 8.3°C, S.H 11.1°C  
EVI Control rule: Discharge temp.:≤112°C, control injecting superheat=6K; Discharge temp.:>112°C, control injecting making Discharge temp.=112°C.

Transition Area      EVI off Area

# YW/YSW Series

# RI34a

## Capacity

### Ultra-High Temp. J Series

Model	C.T. (°C)	E.T. (°C)								
		-15	-10	-5	0	5	10	15	20	25
Heating Capacity (W)	85					4380	4973	5676	6457	7328
	80			3310	3835	4416	5063	5785	6594	7498
	75	2460	2895	3372	3902	4495	5160	5908	6750	7694
	70	2514	2946	3427	3968	4578	5268	6048	6929	7920
	65	2553	2987	3478	4036	4670	5391	6209	7135	8178
	60	2579	3023	3529	4110	4774	5532	6395	7372	8474
	55	2597	3055	3584	4193	4894	5695	6608	7643	8809
	50	2609	3089	3646	4290	5033	5884	6853	7952	9189
	45	2620	3127	3718	4404	5195	6102	7134	8302	9616
	40	2634	3173	3805	4539	5384	6352	7453	8697	
	35	2653	3232	3910	4697	5603	6639	7815		
	30	2681	3306	4036	4883	5857	6966			
Power (W)	85					2217	2224	2286	2370	2485
	80			1866	1919	1969	2025	2096	2191	2317
	75	1520	1605	1672	1728	1784	1847	1925	2028	2164
	70	1348	1433	1501	1560	1619	1686	1770	1880	2024
	65	1201	1284	1351	1411	1472	1542	1630	1744	1894
	60	1076	1156	1221	1280	1341	1412	1502	1620	1773
	55	973	1048	1109	1165	1223	1294	1384	1503	1660
	50	889	957	1013	1063	1119	1186	1275	1394	1551
	45	823	882	930	974	1024	1087	1173	1289	1445
	40	772	821	859	895	937	995	1075	1188	
	35	734	771	798	824	857	907	980		
	30	708	731	745	759	782	821			
Heating Capacity (W)	85					5864	6725	7681	8743	9926
	80			4469	5183	5973	6851	7833	8932	10161
	75	3318	3909	4558	5278	6083	6987	8004	9147	10431
	70	3396	3982	4635	5370	6200	7138	8198	9394	10741
	65	3451	4041	4708	5465	6327	7308	8420	9678	11095
	60	3490	4092	4780	5569	6472	7502	8675	10002	11499
	55	3516	4138	4856	5685	6637	7727	8968	10374	11958
	50	3534	4185	4942	5819	6829	7986	9304	10796	12477
	45	3551	4239	5043	5976	7052	8284	9687	11275	13060
	40	3570	4303	5162	6160	7310	8627	10124	11814	
	35	3596	4384	5306	6377	7610	9019	10618		
	30	3635	4485	5479	6632	7956	9466			
Power (W)	85					2919	2984	3067	3180	3334
	80			2504	2574	2642	2717	2813	2939	3109
	75	2040	2154	2243	2319	2393	2478	2583	2721	2903
	70	1809	1923	2013	2093	2172	2262	2375	2522	2715
	65	1611	1723	1813	1893	1975	2069	2187	2341	2541
	60	1444	1551	1639	1717	1799	1894	2015	2173	2379
	55	1306	1406	1488	1563	1641	1736	1857	2017	2227
	50	1193	1285	1359	1427	1501	1592	1711	1870	2081
	45	1104	1184	1248	1307	1374	1459	1574	1730	1939
	40	1035	1101	1152	1201	1258	1334	1443	1594	
	35	985	1034	1070	1105	1150	1216	1315		
	30	950	980	999	1018	1049	1102			

Remarks: Subcooling 8.3°C, S.H 11.1°C

# YW/YSW Series

# RI34a

## Capacity

### Ultra-High Temp. J Series

Model	C.T. (°C)	E.T. (°C)								
		-15	-10	-5	0	5	10	15	20	25
Heating Capacity (W)	85					8316	9546	10909	12424	14112
	80			6333	7351	8478	9731	11132	12699	14452
	75	4698	5540	6464	7491	8640	9930	11381	13011	14841
	70	4814	5649	6580	7628	8811	10150	11662	13368	15287
	65	4897	5738	6688	7769	8998	10397	11983	13777	15797
	60	4955	5813	6795	7920	9208	10679	12351	14244	16378
	55	4996	5882	6907	8089	9448	11002	12773	14778	17037
	50	5025	5953	7032	8283	9724	11375	13255	15384	17781
	45	5050	6031	7178	8509	10045	11804	13806	16071	18617
	40	5078	6125	7351	8775	10417	12297	14433	16845	
	35	5117	6241	7558	9087	10848	12860	15142		
	30	5173	6387	7807	9453	11344	13500			
Power (W)	85					4109	4201	4318	4477	4694
	80			3525	3624	3719	3826	3960	4138	4377
	75	2872	3032	3158	3265	3370	3488	3637	3831	4088
	70	2546	2707	2835	2946	3058	3185	3344	3551	3822
	65	2268	2425	2552	2665	2780	2912	3079	3295	3578
	60	2033	2184	2307	2418	2532	2666	2837	3059	3350
	55	1838	1980	2095	2200	2311	2444	2615	2840	3135
	50	1680	1808	1913	2009	2113	2241	2409	2633	2929
	45	1554	1666	1756	1840	1934	2054	2215	2435	2730
	40	1458	1550	1622	1690	1771	1879	2031	2243	
	35	1387	1456	1507	1556	1619	1712	1852		
	30	1337	1380	1407	1434	1476	1551			
Heating Capacity (W)	85					4337	4929	5631	6411	7280
	80			3274	3798	4378	5023	5744	6551	7453
	75	2430	2863	3340	3868	4460	5124	5870	6710	7652
	70	2488	2918	3398	3937	4546	5235	6014	6892	7880
	65	2529	2962	3452	4008	4641	5361	6177	7101	8141
	60	2558	3000	3505	4085	4748	5504	6365	7340	8439
	55	2578	3035	3562	4170	4870	5670	6581	7613	8777
	50	2592	3070	3626	4269	5011	5861	6828	7924	9158
	45	2604	3110	3700	4385	5175	6081	7111	8277	9587
	40	2619	3157	3788	4521	5366	6333	7432	8674	
	35	2638	3217	3894	4681	5587	6622	7796		
	30	2667	3291	4022	4868	5841	6950			
Power (W)	85					2174	2180	2241	2324	2436
	80			1829	1881	1930	1986	2055	2148	2272
	75	1491	1574	1639	1695	1749	1810	1888	1988	2122
	70	1322	1405	1471	1529	1587	1653	1736	1843	1984
	65	1177	1259	1325	1383	1443	1512	1598	1710	1857
	60	1055	1134	1197	1255	1314	1384	1472	1588	1739
	55	954	1028	1087	1142	1199	1268	1357	1474	1627
	50	872	939	993	1043	1097	1163	1250	1367	1520
	45	807	865	912	955	1004	1066	1150	1264	1417
	40	757	805	842	877	919	975	1054	1164	
	35	720	756	782	808	840	889	961		
	30	694	716	730	744	766	805			

Remarks: Subcooling 8.3°C, S.H 11.1°C



# YW/YSW Series

## Capacity

# RI34a

## Ultra-High Temp. J Series

Model	C.T. (°C)	E.T. (°C)								
		-15	-10	-5	0	5	10	15	20	25
Heating Capacity (W)	85					5806	6667	7620	8681	9861
	80			4420	5133	5921	6798	7778	8874	10100
	75	3278	3867	4514	5232	6036	6938	7953	9094	10374
	70	3360	3944	4596	5329	6157	7093	8151	9345	10687
	65	3420	4007	4672	5428	6289	7267	8377	9632	11045
	60	3461	4061	4748	5535	6436	7465	8635	9960	11453
	55	3490	4110	4827	5654	6605	7693	8931	10334	11914
	50	3511	4160	4916	5791	6799	7955	9270	10759	12436
	45	3529	4216	5018	5950	7025	8256	9656	11241	13022
	40	3549	4282	5140	6136	7286	8601	10096	11783	
	35	3577	4364	5285	6355	7588	8996	10592		
	30	3616	4466	5460	6612	7936	9445			
Power (W)	85					2862	2925	3007	3117	3268
	80			2455	2524	2590	2664	2758	2882	3048
	75	2000	2111	2199	2273	2346	2429	2532	2668	2846
	70	1773	1885	1974	2052	2129	2218	2329	2473	2662
	65	1579	1689	1777	1856	1936	2028	2144	2295	2491
	60	1416	1521	1607	1684	1763	1857	1975	2130	2333
	55	1280	1379	1459	1532	1609	1702	1821	1977	2183
	50	1170	1259	1332	1399	1471	1560	1677	1834	2040
	45	1082	1160	1223	1281	1347	1430	1543	1696	1901
	40	1015	1079	1130	1177	1233	1308	1414	1562	
	35	966	1014	1050	1084	1128	1192	1289		
	30	931	961	980	998	1028	1080			
Heating Capacity (W)	85					8236	9464	10824	12336	14019
	80			6264	7280	8405	9656	11054	12618	14366
	75	4642	5480	6402	7427	8574	9862	11310	12936	14761
	70	4764	5596	6525	7570	8752	10087	11597	13299	15213
	65	4853	5690	6638	7716	8944	10340	11923	13712	15727
	60	4916	5770	6749	7872	9158	10626	12295	14184	16312
	55	4959	5843	6866	8046	9402	10954	12721	14722	16975
	50	4992	5917	6995	8244	9683	11331	13208	15332	17723
	45	5019	5998	7144	8473	10007	11764	13763	16023	18563
	40	5050	6095	7319	8742	10383	12260	14393	16801	
	35	5090	6213	7529	9057	10816	12826	15105		
	30	5147	6360	7779	9425	11315	13470			
Power (W)	85					4029	4118	4233	4389	4602
	80			3456	3553	3646	3751	3882	4057	4291
	75	2816	2973	3096	3201	3304	3420	3565	3756	4007
	70	2496	2654	2779	2889	2998	3123	3279	3482	3748
	65	2223	2378	2502	2613	2725	2855	3018	3231	3508
	60	1993	2141	2262	2370	2482	2614	2781	2999	3284
	55	1802	1941	2054	2157	2266	2396	2563	2784	3073
	50	1647	1773	1875	1969	2071	2197	2362	2581	2872
	45	1524	1634	1722	1804	1896	2013	2172	2388	2676
	40	1429	1520	1591	1657	1736	1842	1991	2200	
	35	1360	1427	1478	1526	1587	1679	1815		
	30	1311	1353	1379	1405	1447	1521			

Remarks: Subcooling 8.3°C, S.H 11.1°C

# YW/YSW Series

## Capacity

# RI34a

## Ultra-High Temp. J Series

Model	C.T. (°C)	E.T. (°C)								
		-15	-10	-5	0	5	10	15	20	25
Heating Capacity (W)	85					10069	11577	13247	15103	17168
	80			7654	8901	10282	11818	13534	15453	17598
	75	5669	6697	7829	9087	10494	12075	13852	15848	18087
	70	5823	6843	7983	9266	10716	12355	14208	16296	18645
	65	5935	6962	8125	9449	10955	12669	14611	16807	19280
	60	6015	7063	8265	9643	11222	13024	15072	17390	20001
	55	6071	7156	8411	9859	11524	13429	15598	18053	20818
	50	6113	7248	8571	10104	11871	13895	16199	18806	21740
	45	6148	7350	8756	10388	12272	14429	16883	19657	22774
	40	6186	7469	8973	10720	12735	15040	17659	20615	
	35	6237	7615	9232	11109	13269	15738	18536		
	30	6308	7797	9541	11562	13894	16530			
Power (W)	85					4901	5010	5150	5339	5598
	80			4204	4322	4435	4563	4723	4936	5220
	75	3425	3616	3766	3894	4019	4160	4337	4569	4875
	70	3037	3228	3381	3514	3647	3799	3988	4235	4559
	65	2705	2893	3044	3179	3315	3473	3672	3930	4267
	60	2425	2605	2752	2884	3020	3180	3383	3649	3995
	55	2192	2361	2499	2624	2756	2915	3118	3387	3739
	50	2003	2157	2281	2396	2520	2672	2873	3140	3494
	45	1854	1987	2095	2195	2306	2449	2642	2905	3256
	40	1739	1849	1935	2016	2112	2241	2422	2676	
	35	1654	1737	1797	1856	1931	2042	2208		
	30	1595	1646	1678	1710	1761	1850			
Heating Capacity (W)	85					11885	13672	15651	17851	20297
	80			9028	10507	12143	13964	15997	18270	20811
	75	6683	7901	9241	10731	12399	14272	16378	18743	21395
	70	6870	8078	9428	10949	12667	14609	16804	19278	22060
	65	7008	8223	9601	11169	12955	14985	17287	19888	22817
	60	7106	8347	9770	11404	13274	15409	17836	20583	23676
	55	7175	8459	9946	11662	13636	15894	18463	21372	24648
	50	7226	8572	10139	11956	14050	16449	19179	22268	25743
	45	7270	8694	10360	12295	14528	17084	19993	23280	26973
	40	7317	8837	10619	12691	15079	17812	20916	24418	
	35	7378	9012	10928	13153	15715	18641	21959		
	30	7463	9229	11296	13693	16447	19584			
Power (W)	85					5756	5883	6047	6270	6574
	80			4937	5076	5209	5358	5546	5796	6130
	75	4022	nn	4422	4573	4719	4885	5093	5366	5725
	70	3566	3791	3970	4127	4283	4461	4684	4974	5354
	65	3176	3397	3575	3733	3893	4079	4312	4615	5011
	60	2847	3059	3231	3386	3546	3735	3973	4285	4692
	55	2574	2773	2934	3081	3237	3423	3662	3977	4391
	50	2353	2533	2679	2813	2959	3138	3374	3688	4103
	45	2177	2334	2460	2577	2708	2876	3103	3411	3823
	40	2042	2171	2272	2368	2480	2631	2844	3142	
	35	1942	2039	2111	2179	2268	2398	2593		
	30	1873	1933	1970	2008	2067	2172			

Remarks: Subcooling 8.3°C, S.H 11.1°C



# YW/YSW Series Capacity

## RI34a

### Ultra-High Temp. J Series

Model	C.T. (°C)	E.T. (°C)																
		-15	-10	-5	0	5	10	15	20	25								
Heating Capacity (W)	85					12717	14629	16747	19100	21718								
	80			9660	11242	12992	14941	17117	19549	22267								
	75	7151	8454	9888	11483	13267	15271	17524	20055	22892								
	70	7351	8643	10088	11715	13553	15632	17980	20628	23604								
	65	7498	8799	10273	11951	13861	16034	18497	21280	24414								
	60	7603	8931	10454	12202	14203	16488	19085	22024	25333								
	55	7677	9052	10642	12479	14590	17006	19756	22868	26373								
	50	7732	9172	10849	12793	15034	17600	20521	23826	27545								
	45	7779	9303	11085	13156	15545	18280	21392	24909	28861								
	40	7829	9456	11363	13579	16135	19059	22380	26128									
	35	7894	9643	11693	14074	16816	19946	23496										
	30	7985	9875	12087	14652	17598	20955											
	Power (W)	85					6158	6295	6471	6709	7034							
		80			5282	5431	5573	5733	5934	6202	6559							
75		4304	4544	4732	4893	5050	5227	5450	5741	6126								
70		3816	4056	4248	4415	4582	4773	5011	5322	5728								
65		3398	3635	3825	3994	4166	4364	4614	4938	5362								
60		3046	3273	3457	3623	3795	3996	4251	4584	5020								
55		2755	2967	3140	3297	3463	3662	3918	4256	4698								
50		2517	2710	2866	3010	3166	3358	3610	3946	4390								
45		2329	2497	2632	2758	2898	3077	3320	3650	4091								
40		2185	2323	2431	2533	2653	2815	3044	3362									
35		2078	2182	2259	2332	2427	2566	2775										
30		2004	2068	2108	2148	2212	2324											
Heating Capacity (W)		85					17585	20228	23157	26410	30030							
		80			14071	16278	17965	20660	23668	27031	30790							
	75	9888	11689	13672	15877	18345	21116	24231	27730	31654								
	70	10165	11952	13949	16199	18741	21615	24862	28523	32638								
	65	10368	12166	14205	16525	19167	22170	25576	29425	33758								
	60	10513	12349	14455	16872	19640	22799	26389	30453	35029								
	55	10616	12516	14715	17255	20175	23515	27317	31621	36467								
	50	10692	12682	15001	17689	20788	24336	28375	32946	38088								
	45	10756	12863	15328	18191	21494	25277	29580	34443	39907								
	40	10826	13075	15712	18777	22310	26353	30945	36128									
	35	10915	13333	16168	19461	23252	27581	32489										
	30	11041	13654	16713	20260	24333	28975											
	Power (W)	85					8516	8705	8947	9277	9726							
		80			8017	8243	7706	7927	8206	8575	9069							
75		5951	6283	6543	6765	6982	7228	7536	7939	8470								
70		5276	5609	5874	6105	6336	6600	6930	7359	7921								
65		4699	5026	5289	5523	5760	6035	6380	6828	7414								
60		4212	4526	4781	5010	5247	5525	5878	6339	6941								
55		3809	4102	4341	4559	4789	5064	5418	5884	6496								
50		3481	3747	3963	4163	4378	4643	4991	5456	6070								
45		3221	3453	3639	3813	4007	4255	4591	5047	5657								
40		3021	3212	3362	3503	3669	3893	4208	4649									
35		2874	3017	3123	3225	3355	3548	3837										
30		2772	2860	2915	2971	3059	3214											

Remarks: Subcooling 8.3°C, S.H 11.1°C

# YW/YSW Series Capacity

## RI34a

### Ultra-High Temp. J Series

Model	C.T. (°C)	E.T. (°C)																
		-15	-10	-5	0	5	10	15	20	25								
Heating Capacity (W)	85					20226	23267	26635	30377	34540								
	80			16387	18931	20664	23763	27223	31091	35414								
	75	11373	13445	15726	18262	21101	24288	27871	31895	36408								
	70	11692	13747	16045	18632	21555	24861	28596	32807	37540								
	65	11926	13994	16339	19007	22046	25500	29418	33845	38828								
	60	12092	14204	16627	19406	22589	26223	30353	35027	40290								
	55	12210	14396	16926	19846	23205	27047	31420	36370	41944								
	50	12298	14587	17254	20346	23910	27991	32637	37894	43809								
	45	12372	14795	17630	20924	24723	29073	34022	39616	45901								
	40	12452	15039	18072	21597	25661	30311	35593	41554									
	35	12555	15336	18597	22384	26744	31723	37369										
	30	12699	15705	19224	23303	27988	33327											
	Power (W)	85					9795	10012	10291	10670	11187							
		80			9424	9689	8864	9118	9438	9863	10432							
75		6845	7227	7526	7781	8031	8314	8668	9131	9742								
70		6069	6451	6756	7022	7288	7591	7970	8464	9111								
65		5405	5780	6083	6352	6625	6941	7338	7854	8527								
60		4845	5206	5499	5762	6035	6355	6761	7291	7984								
55		4381	4719	4993	5244	5508	5825	6232	6768	7472								
50		4004	4310	4559	4788	5036	5341	5741	6275	6982								
45		3704	3972	4186	4386	4609	4894	5280	5805	6506								
40		3474	3695	3867	4029	4220	4478	4841	5347									
35		3305	3470	3592	3709	3859	4081	4413										
30		3188	3290	3353	3417	3518	3697											
Heating Capacity (W)		85					22867	26305	30113	34344	39051							
		80			18527	21403	23362	26866	30778	35151	40039							
	75	12858	15200	17779	20647	23856	27460	31510	36060	41163								
	70	13219	15542	18140	21065	24370	28108	32331	37091	42442								
	65	13483	15821	18472	21489	24924	28830	33259	38265	43899								
	60	13671	16059	18798	21940	25539	29647	34317	39601	45551								
	55	13805	16276	19136	22438	26235	30579	35523	41120	47422								
	50	13903	16491	19507	23003	27032	31647	36899	42843	49529								
	45	13988	16727	19932	23656	27951	32870	38465	44789	51895								
	40	14078	17003	20431	24417	29012	34270	40241	46980									
	35	14194	17339	21025	25307	30236	35866	42248										
	30	14358	17755	21734	26345	31643	37679											
	Power (W)	85					11074	11319	11635	12063	12648							
		80			10655	10955	10021	10309	10671	11151	11794							
75		7739	8170	8509	8797	9080	9399	9800	10323	11015								
70		6861	7294	7639	7939	8240	8582	9011	9569	10300								
65		6111	6535	6878	7182	7491	7848	8296	8879	9641								
60		5478	5886	6217	6515	6823	7185	7644	8243	90								

# YW/YSW Series Capacity

## RI34a

### Ultra-High Temp. J Series

Model	C.T. (°C)	E.T. (°C)								
		-15	-10	-5	0	5	10	15	20	25
Heating Capacity (W)	80			22451	25781	27919	31966	36491	41558	47232
	75	15621	18354	21348	24667	28377	32543	37230	42504	48430
	70	15933	18645	21662	25048	28870	33192	38080	43599	49815
	65	16150	18878	21956	25448	29419	33936	39062	44865	51408
	60	16294	19076	22253	25888	30047	34796	40199	46323	53232
	55	16386	19261	22575	26391	30776	35795	41513	47996	55308
	50	16451	19456	22944	26980	31628	36956	43026	49906	57660
	45	16508	19682	23383	27676	32626	38300	44761	52076	60310
	40	16582	19962	23913	28502	33792	39849	46740	54528	
	35	16693	20318	24558	29480	35147	41627	48984		
	30	16866	20772	25339	30632	36715	43655			
	Power (W)	80			13430	13808	12632	12994	13450	14056
75		9755	10299	10725	11089	11445	11848	12352	13013	13884
70		8648	9193	9628	10008	10386	10818	11358	12062	12983
65		7702	8238	8669	9053	9442	9892	10457	11192	12152
60		6905	7419	7836	8212	8601	9057	9635	10391	11378
55		6243	6724	7116	7473	7849	8301	8881	9645	10648
50		5706	6142	6497	6823	7176	7611	8182	8943	9950
45		5279	5660	5966	6250	6568	6975	7525	8272	9272
40		4951	5265	5511	5742	6014	6381	6898	7620	
35		4710	4945	5119	5286	5500	5816	6289		
30		4543	4688	4779	4869	5014	5268			
Heating Capacity (W)		80			25382	29148	31564	36141	41256	46985
	75	17661	20751	24136	27888	32083	36793	42092	48055	54755
	70	18014	21080	24490	28319	32640	37527	43053	49293	56320
	65	18259	21344	24823	28771	33261	38367	44163	50723	58121
	60	18421	21567	25158	29268	33971	39340	45449	52372	60183
	55	18526	21777	25522	29837	34795	40469	46934	54263	62531
	50	18599	21997	25940	30503	35759	41781	48645	56423	65190
	45	18664	22252	26436	31290	36887	43301	50606	58876	68185
	40	18747	22569	27036	32223	38205	45053	52843	61648	
	35	18873	22971	27765	33329	39737	47063	55381		
	30	19068	23485	28648	34632	41510	49356			
	Power (W)	80			15184	15611	14281	14691	15207	15892
75		11029	11644	12126	12537	12940	13395	13965	14712	15697
70		9778	10394	10886	11314	11742	12231	12842	13637	14679
65		8708	9313	9802	10235	10675	11183	11822	12654	13739
60		7806	8387	8859	9284	9724	10239	10893	11748	12863
55		7059	7603	8045	8449	8874	9384	10041	10905	12038
50		6451	6944	7345	7714	8113	8605	9250	10111	11250
45		5968	6399	6745	7066	7426	7886	8507	9352	10483
40		5598	5953	6230	6492	6799	7214	7799	8615	
35		5325	5591	5787	5976	6218	6576	7111		
30		5136	5300	5403	5505	5669	5956			

Remarks: Subcooling 8.3°C, S.H 11.1°C

# YW/YSW Series Capacity

## RI34a

### Ultra-High Temp. J Series (With EVI)

Model	C.T. (°C)	E.T. (°C)										
		-20	-15	-10	-5	0	5	10	15	20	25	
Heating Capacity (W)	80	2624	2789	3341	3871	4468	5192	5911	6718	6594	7498	
	70	2731	2969	3421	3973	4562	5345	6118	6995	7979	9079	
	60	2812	3092	3489	4042	4704	5421	6193	7080	8068	9163	
	50	2777	3052	3534	4147	4808	5541	6369	7321	8379	9548	
	40	2691	3020	3597	4236	4957	5753	6737	7774	8918		
	30	2604	3028	3657	4377	5182	6129	7179				
	YW38J2-V102	80	1913	1933	2114	2120	2149	2234	2258	2296	2191	2317
		70	1426	1523	1605	1681	1731	1798	1845	1910	1998	2119
		60	1117	1259	1278	1348	1408	1457	1516	1595	1700	1839
	Power (W)	50	906	987	1047	1097	1145	1196	1255	1336	1446	1593
		40	780	824	875	917	954	994	1042	1113	1215	
		30	717	737	770	792	808	826	850			
Heating Capacity (W)	80	3448	3770	4513	5228	6040	7023	8002	9099	8932	10161	
	70	3593	4012	4625	5375	6175	7240	8292	9483	10821	12316	
	60	3710	4185	4724	5476	6375	7350	8400	9605	10948	12436	
	50	3669	4134	4790	5623	6523	7519	8644	9938	11376	12965	
	40	3556	4094	4879	5748	6728	7811	9149	10560	12115		
	30	3441	4107	4962	5942	7038	8326	9755				
	YW55J2-V102	80	2504	2536	2777	2844	2883	2997	3029	3081	2939	3109
		70	1909	2044	2153	2255	2323	2413	2476	2562	2681	2843
		60	1495	1689	1714	1809	1889	1955	2035	2140	2280	2468
	Power (W)	50	1212	1325	1405	1472	1536	1604	1684	1793	1941	2138
		40	1043	1106	1174	1230	1280	1334	1398	1494	1630	
		30	958	989	1033	1062	1085	1108	1140			
Heating Capacity (W)	80	4771	5346	6397	7410	8569	9971	11368	12935	12699	14452	
	70	4979	5689	6562	7632	8774	10293	11794	13495	15403	17535	
	60	5157	5943	6714	7785	9068	10459	11958	13678	15592	17714	
	50	5106	5879	6814	8003	9286	10708	12314	14161	16212	18477	
	40	4950	5826	6946	8185	9585	11130	13041	15054	17274		
	30	4788	5846	7067	8466	10031	11872	13913				
	YW80J2-V100	80	3450	3503	3839	4004	4059	4220	4264	4338	4138	4377
		70	2683	2877	3031	3175	3271	3397	3486	3607	3774	4002
		60	2100	2378	2414	2547	2660	2752	2864	3012	3211	3474
	Power (W)	50	1702	1865	1978	2073	2162	2258	2371	2524	2732	3010
		40	1463	1557	1653	1731	1803	1878	1968	2103	2295	
		30	1345	1393	1455	1495	1527	1560	1605			

Remarks: Subcooling 8.3°C, S.H 11.1°C  
EVI Control rule: Discharge temp.: ≤112°C, control injecting superheat=6K; Discharge temp.: >112°C, control injecting making Discharge temp.=112°C.

# YW/YSW Series Capacity

## RI34a

### Ultra-High Temp. J Series(With EVI)

Model	C.T. (°C)	E.T. (°C)										
		-20	-15	-10	-5	0	5	10	15	20	25	
YW38J1-V100	Heating Capacity (W)	80	2587	2751	3300	3830	4426	5148	5867	6673	6551	7453
		70	2703	2939	3389	3940	4528	5310	6082	6957	7939	9037
		60	2790	3068	3464	4016	4676	5392	6164	7048	8034	9127
		50	2760	3032	3514	4126	4786	5518	6344	7295	8350	9517
		40	2676	3004	3580	4218	4938	5733	6716	7752	8895	
	Power (W)	30	2590	3013	3642	4361	5166	6113	7163			
		80	1876	1895	2073	2078	2107	2190	2213	2251	2148	2272
		70	1398	1493	1573	1648	1697	1763	1809	1872	1959	2077
		60	1095	1234	1253	1322	1380	1429	1487	1563	1666	1803
		50	888	968	1027	1076	1122	1172	1231	1310	1418	1562
YW55J1-V100	Heating Capacity (W)	40	765	808	858	899	936	975	1022	1091	1191	
		30	703	723	755	776	793	809	833			
		80	3399	3720	4459	5172	5983	6964	7942	9039	8874	10100
		70	3555	3972	4582	5331	6130	7193	8243	9433	10768	12260
		60	3681	4152	4691	5440	6338	7311	8360	9563	10903	12387
	Power (W)	50	3646	4108	4763	5595	6492	7487	8611	9903	11338	12923
		40	3536	4073	4856	5723	6703	7784	9121	10530	12083	
		30	3422	4087	4942	5921	7016	8305	9733			
		80	2455	2487	2723	2788	2826	2938	2970	3021	2882	3048
		70	1872	2004	2111	2211	2277	2365	2427	2512	2628	2787
YW80J1-V100	Heating Capacity (W)	60	1466	1656	1681	1774	1852	1917	1995	2098	2236	2419
		50	1188	1299	1378	1443	1506	1573	1651	1758	1903	2096
		40	1022	1084	1151	1206	1255	1308	1371	1464	1598	
		30	703	723	755	776	793	809	833			
		80	4703	5277	6322	7331	8489	9888	11285	12850	12618	14366
	Power (W)	70	4926	5633	6503	7570	8710	10226	11726	13424	15329	17457
		60	5115	5897	6666	7735	9016	10405	11902	13618	15529	17646
		50	5073	5842	6776	7962	9244	10664	12267	14111	16158	18418
		40	4921	5796	6913	8151	9549	11094	13002	15013	17229	
		30	4762	5819	7039	8437	10002	11841	13881			
Power (W)	80	3382	3434	3764	3926	3979	4137	4181	4253	4057	4291	
	70	2631	2821	2972	3113	3206	3330	3417	3536	3700	3923	
	60	2059	2331	2366	2497	2607	2698	2808	2953	3148	3406	
	50	1669	1829	1939	2032	2120	2214	2325	2475	2679	2951	
	40	1435	1526	1621	1697	1767	1842	1930	2062	2250		
30	1318	1366	1426	1466	1497	1529	1573					

Remarks: Subcooling 8.3°C, S.H 11.1°C  
EVI Control rule: Discharge temp.:≤112°C, control injecting superheat=6K; Discharge temp.:>112°C, control injecting making Discharge temp.=112°C.

# YW/YSW Series Capacity

## RI34a

### Ultra-High Temp. J Series(With EVI)

Model	C.T. (°C)	E.T. (°C)										
		-20	-15	-10	-5	0	5	10	15	20	25	
YW100J1-V100	Heating Capacity (W)	80	5684	6450	7726	8960	10381	12098	13814	15736	15453	17598
		70	5960	6886	7953	9263	10662	12523	14364	16450	18788	21399
		60	6200	7216	8162	9473	11045	12751	14589	16696	19041	21638
		50	6153	7156	8301	9758	11331	13074	15043	17307	19819	22592
		40	5971	7102	8474	9994	11711	13607	15951	18420	21140	
	Power (W)	30	5777	7133	8631	10348	12270	14529	17035			
		80	4075	4142	4542	4775	4841	5033	5086	5173	4936	5220
		70	3198	3432	3616	3787	3901	4051	4157	4302	4501	4773
		60	2502	2836	2879	3038	3172	3283	3416	3593	3829	4143
		50	2027	2225	2359	2472	2579	2694	2828	3011	3259	3590
YW120J1-V100	Heating Capacity (W)	40	1743	1856	1972	2065	2150	2240	2348	2508	2737	
		30	1602	1661	1735	1784	1821	1860	1914			
		80	6650	7608	9114	10570	12256	14290	16324	18603	18270	20811
		70	6981	8127	9390	10942	12600	14806	16988	19460	22231	25325
		60	7275	8526	9646	11199	13063	15084	17263	19760	22539	25615
	Power (W)	50	7226	8461	9818	11544	13409	15475	17809	20491	23468	26753
		40	7014	8402	10028	11829	13864	16112	18891	21818	25041	
		30	6786	8440	10216	12252	14531	17211	20182			
		80	4754	4836	5303	5608	5685	5910	5972	6075	5796	6130
		70	3753	4030	4246	4447	4581	4757	4882	5052	5286	5605
YW132J1-V100	Heating Capacity (W)	60	2936	3330	3380	3567	3725	3855	4012	4219	4497	4866
		50	2379	2612	2771	2903	3029	3163	3321	3535	3827	4215
		40	2045	2180	2315	2425	2525	2631	2757	2945	3214	
		30	1879	1951	2037	2094	2139	2184	2248			
		80	7115	8141	9752	11310	13114	15290	17467	19905	19549	22267
	Power (W)	70	7470	8696	10048	11708	13482	15842	18177	20822	23787	27097
		60	7784	9122	10321	11983	13978	16140	18471	21143	24116	27408
		50	7732	9053	10505	12352	14347	16558	19055	21925	25111	28626
		40	7505	8990	10729	12657	14835	17240	20213	23345	26794	
		30	7261	9031	10931	13109	15548	18415	21595			
Power (W)	80	5087	5174	5675	6000	6083	6323	6390	6501	6202	6559	
	70	4016	4312	4543	4758	4901	5090	5224	5405	5656	5997	
	60	3142	3563	3617	3817	3986	4125	4292	4514	4811	5206	
	50	2546	2795	2965	3106	3241	3384	3554	3783	4095	4510	
	40	2188	2333	2478	2594	2702	2815	2950	3151	3439		
30	2011	2087	2180	2241	2288	2337	2405					

Remarks: Subcooling 8.3°C, S.H 11.1°C  
EVI Control rule: Discharge temp.:≤112°C, control injecting superheat=6K; Discharge temp.:>112°C, control injecting making Discharge temp.=112°C.



# YW/YSW Series

## Capacity

# RI34a

### Ultra-High Temp. J Series(With EVI)

Model	C.T. (°C)	E.T. (°C)									
		-20	-15	-10	-5	0	5	10	15	20	25
Heating Capacity (W)	80	9721	11268	13491	16450	18955	21142	24152	27523	27031	30790
	70	10201	12024	13893	16189	18642	21906	25134	28791	32891	37468
	60	10637	12614	14272	16570	19327	22318	25541	29235	33347	37899
	50	10567	12518	14525	17080	19839	22896	26349	30317	34722	39582
	40	10256	12430	14836	17502	20513	23839	27950	32280	37049	
YW180J1-V100	30	9920	12487	15115	18127	21499	25464	29860			
	80	6947	7076	7765	9107	9232	8744	8836	8989	8575	9069
	70	5548	5962	6282	6579	6777	7038	7223	7474	7821	8293
	60	4339	4927	5001	5278	5511	5703	5935	6242	6653	7199
	50	3515	3865	4099	4295	4481	4680	4914	5231	5662	6237
Power (W)	40	3020	3225	3426	3587	3736	3892	4079	4357	4755	
	30	2775	2886	3014	3099	3164	3232	3326			
	80	11144	12965	15519	19150	22035	24318	27780	31657	31091	35414
	70	11693	13830	15980	18620	21442	25196	28910	33116	37831	43096
	60	12194	14509	16415	19058	22230	25670	29377	33626	38355	43591
Heating Capacity (W)	50	12115	14398	16707	19645	22819	26335	30306	34871	39937	45528
	40	11758	14297	17064	20130	23594	27419	32148	37128	42613	
	30	11373	14363	17385	20849	24728	29288	34345			
	80	7964	8115	8906	10705	10852	10057	10164	10339	9863	10432
	70	6380	6857	7225	7567	7795	8095	8308	8597	8995	9538
Power (W)	60	4989	5667	5752	6071	6339	6560	6827	7179	7652	8280
	50	4041	4446	4715	4940	5154	5383	5652	6017	6512	7173
	40	3473	3710	3940	4126	4297	4477	4692	5012	5470	
	30	3190	3320	3467	3564	3639	3717	3825			
	80	12567	14661	17547	21651	24912	27493	31407	35791	35151	40039
Heating Capacity (W)	70	13185	15636	18067	21052	24241	28486	32685	37440	42771	48724
	60	13752	16403	18559	21547	25133	29022	33213	38017	43364	49283
	50	13663	16278	18889	22211	25798	29774	34264	39424	45153	51473
	40	13260	16164	19293	22759	26675	31000	36346	41976	48178	
	30	12825	16238	19655	23572	27957	33113	38829			
YW240J1-V100	80	8980	9153	10046	12103	12269	11370	11491	11689	11151	11794
	70	7211	7753	8169	8555	8813	9153	9393	9720	10170	10784
	60	5639	6407	6504	6864	7167	7417	7718	8117	8651	9361
	50	4567	5026	5331	5586	5827	6086	6390	6802	7362	8110
	40	3925	4194	4455	4665	4858	5062	5304	5666	6184	
30	3606	3753	3920	4030	4114	4203	4325				

Remarks: Subcooling 8.3°C, S.H 11.1°C  
 EVI Control rule: Discharge temp.:≤112°C, control injecting superheat=6K; Discharge temp.:>112°C, control injecting making Discharge temp.=112°C.

# YW/YSW Series

## Capacity

# RI34a

### Ultra-High Temp. J Series(With EVI)

Model	C.T. (°C)	E.T. (°C)									
		-20	-15	-10	-5	0	5	10	15	20	25
Heating Capacity (W)	80	14245	18527	22385	26361	29833	32339	36725	42556	48190	54509
	70	16220	19375	22208	26365	29007	33155	38366	43926	49691	56229
	60	16849	19989	22923	26363	29891	34413	39523	44954	50907	57714
	50	16834	20188	23204	26950	30986	36100	41510	47426	54051	61611
	40	16485	20234	23616	27616	32809	38260	44185	50806	58322	
YSW265J1G-V100	30	15994	20295	24423	29343	34615	40454	47080			
	80	14017	14321	14618	15176	15465	14147	14423	14941	15384	16035
	70	9156	9686	10205	11564	11108	11528	12048	12467	13066	13884
	60	7094	7595	8235	8919	9033	9444	9838	10371	11068	11995
	50	5796	6219	6695	7214	7464	7777	8193	8746	9464	10428
Power (W)	40	5008	5347	5686	5984	6184	6451	6823	7336	8022	
	30	4607	4769	4912	5016	5141	5322	5603			
	80	16105	20946	25308	29804	33729	36562	41521	48113	54483	61627
	70	18338	21905	25108	29808	32794	37484	43376	49662	56179	63572
	60	19049	22599	25917	29805	33794	38907	44684	50825	57555	65250
Heating Capacity (W)	50	19032	22824	26234	30470	35032	40814	46930	53620	61109	69656
	40	18637	22877	26700	31223	37093	43257	49955	57440	65938	
	30	18083	22946	27612	33175	39135	45737	53228			
	80	15848	16192	16527	17158	17485	15995	16306	16892	17393	18129
	70	10352	10951	11537	13074	12559	13034	13622	14094	14773	15698
Power (W)	60	8020	8587	9310	10083	10213	10677	11123	11726	12513	13562
	50	6552	7031	7569	8156	8438	8792	9263	9888	10700	11789
	40	5662	6046	6429	6765	6992	7294	7713	8294	9070	
	30	5209	5391	5553	5671	5812	6017	6335			

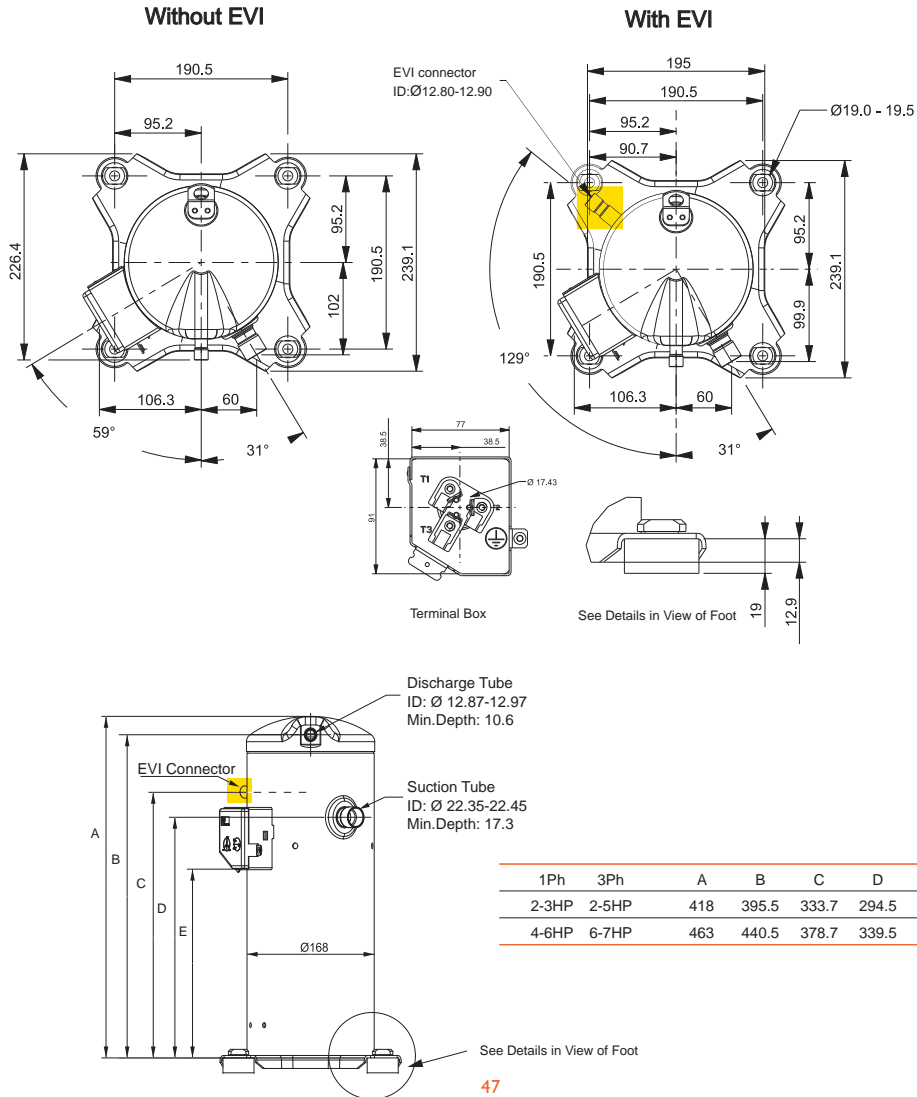
Remarks: Subcooling 8.3°C, S.H 11.1°C  
 EVI Control rule: Discharge temp.:≤112°C, control injecting superheat=6K; Discharge temp.:>112°C, control injecting making Discharge temp.=112°C.



# YW/YSW Series

## Dimensions

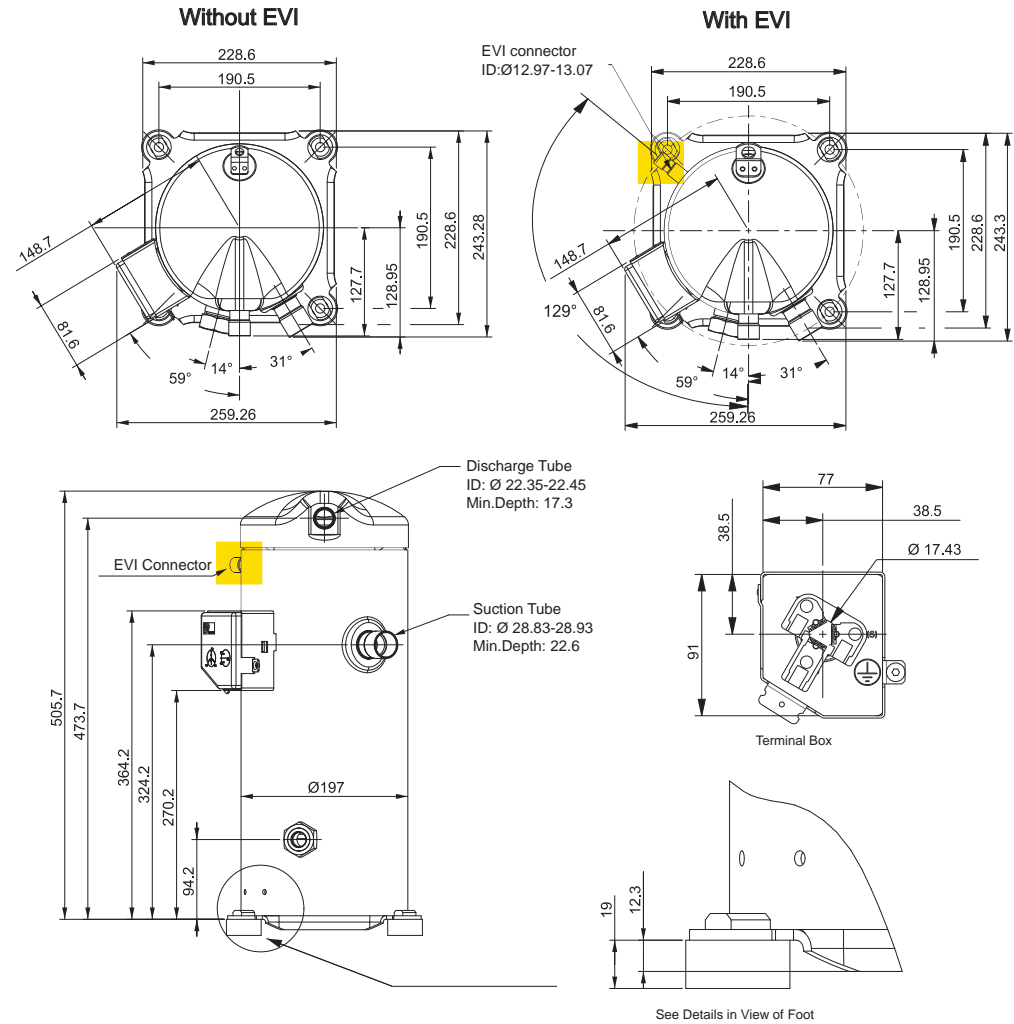
### 3-7HP



# YW/YSW Series

## Dimensions

### 8-12HP



# YW/YSW Series

## Dimensions

## 13-15HP

