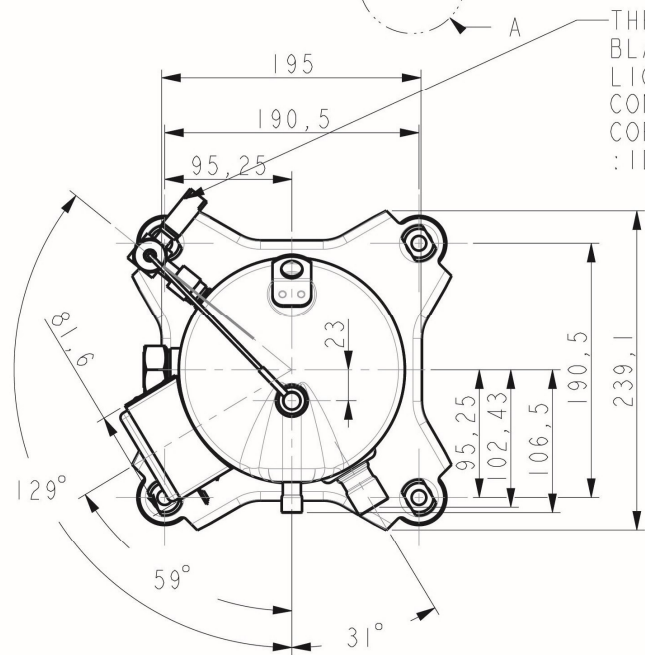
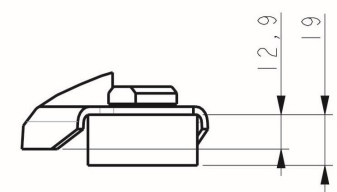


WRING DIAGM



A - THREAD ROTALOCK CONNECTION: 11/16"-16 UN  
 BLACKENING TREATMENT STEEL  
 LIQUID INJECTION PORT (SOLDER  
 CONNECTION IS OPTIONAL:  
 COPPER PLATED STEEL INJECTION FITTING  
 :  $1D\varnothing 12.97 \nabla 10.0\text{MIN}$



MOUNTING FEET

Codeword/Unit 项目		Item no. -		
SCROLL_IR		Scale of orig.	Weight kg	
	Date	Name	Title	
	Draw			YF-Q
	Chk			
App.				
Release note	Dept. PRODUCT_DEVELOPMENT		Drawing no.	
PRELIMINARY	<b>INVOTECH</b> Scroll Technology			
Facility: SUZHOU 苏州明特机电技术有限公司		Rev.	Sheet I Sh	
Engineering drawing		ISO A3 (297x420)		