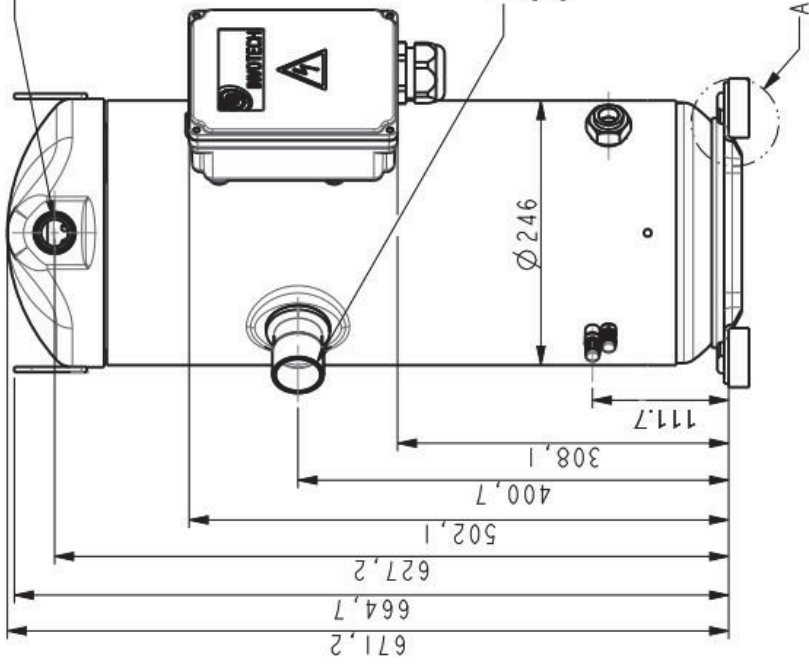
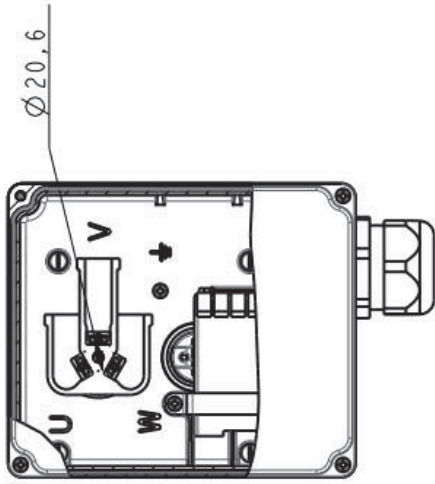


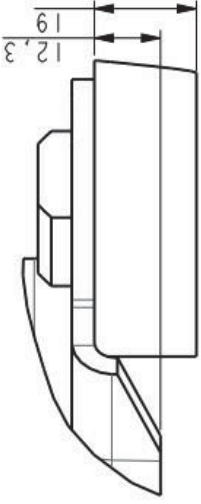
I.D.:  $\varnothing 28.8 - \varnothing 28.9 \nabla 20$  min  
 copper plated steel pipe  
 copper plating thickness: 0.04-0.08



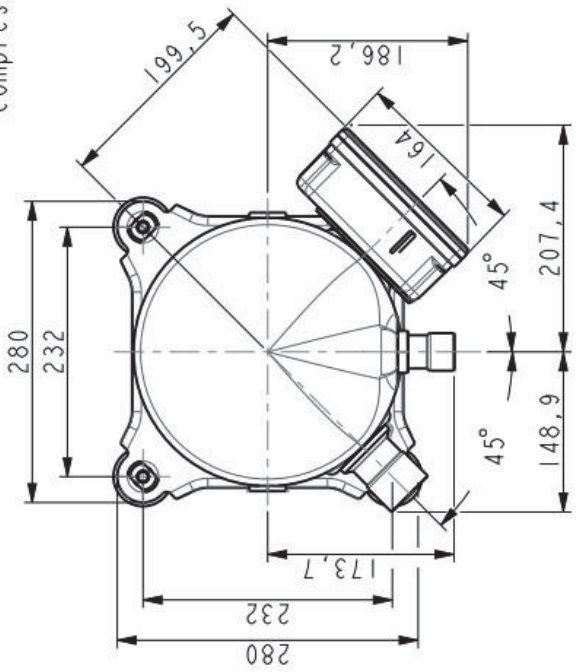
I.D.:  $\varnothing 41.56 - \varnothing 41.66 \nabla 25$  min  
 copper plated steel pipe  
 copper plating thickness: 0.04-0.08



A(1,000)  
 compressor foot



compressor foot



Suzhou Invotech Scroll  
 Technologies Co., Ltd


F 2 3 4 5 6 7 8