



RTS 01 Roomthermostat with Lateral Probe

LEITENBERGER

Mess- und Regeltechnik GmbH

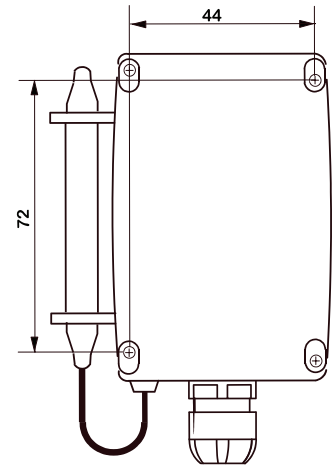
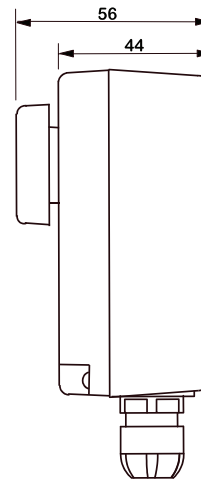
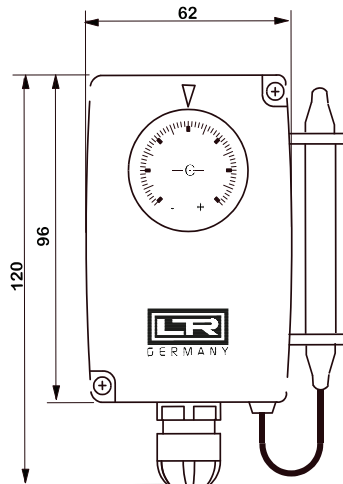
Bahnhofstraße 32/33

D-72138 Kirchentellinsfurt

Fon: +49 (0)7121/908-0

Fax: +49 (0)7121/908-200

E-Mail: mrt-info@leitenberger.de



Order-Code:

Range: -35 / +35°C

RTS01_35035

Range: 0 / 40°C

RTS01_00040

Case:

ABS grey RAL 7035, resistant up to +60°C

Protection:

IP 44

Range:

-35 / +35°C or 0/+40°C

Differential:

$\Delta T = 3 \pm 1 K$

Max. probe temp.

+60°C

Circuit type:

1 SPDT-relais

Max. load:

16 A 250 V AC

Cable pass:

PG 9

