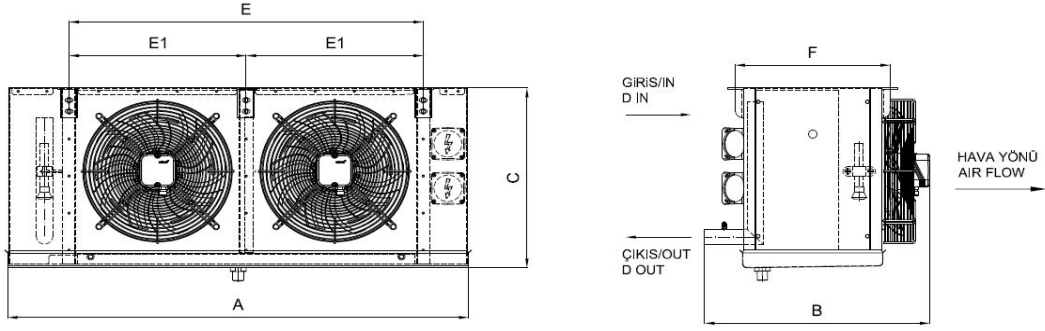


EA-230AC6-C05

Evaporator Technical Specifications



Dimensions

A (mm) :	1107	B (mm) :	517	C (mm) :	445	F (mm) :	345	E1 (mm) :	418
E (mm) :	835	#REF! :	Ø9,52	#REF! :	Ø22	W (kg) :	26		

Capacity Information

Capacity	3,616.00 Watt	Heat Transfer Surface	14,5 m ²
Average Room Temperature	0.00 °C	Tube Volume	3,9 dm ³
Evaporasyon Sıcaklığı	-8.00 °C	Fin Spacing	6 mm
ΔT	8 K	Test Pressure / Max. Operating Pressure	35 /25 bar
Refrigerant	R404A	Energy Efficiency Class	D
Altitude	0 m	Air Throw Distance	6.3 m

Evaporator Fan Data

Air Flow	2414 m ³ /h	Fan Protection / Isolation Class	IP41 / CLASS B
Number of Fans / Fan Diameter / Fan Cycle	2 / 300 mm / 1300 rpm	Operating Temperature Range	-40/40
Total Fan Power / Current	0.24 kW / 1.74 A	Sound Power Level (LWA)	65 dBA
Fan Voltage / Fan Frequency / Fan Phase	230 Volt / 50 Hz / 1 Ph	Sound Pressure Level (LPA)	43 dBA @ 3 m
fan rankings	1x2		

Configuration

Configuration Name

Code

Cassette Type	RAL 9016 painted Galvanized Sheet	-
Defrost Type	E2 Defrost (Coil + Tray)	3x900+1x900 Watt

Notes.

- Capacity correction calculation for altitude is according to related Eurovent Standard.
- Sound pressure calculation standard: EN13487
- Energy Efficiency Class calculation standards: EN328 and Related Eurovent Standard. Standard Conditions: SC2,R404A
- All of the technical information is subject to change without notice.
- All of the performance and technical data according to default configuration.

Karyer Isı Transfer Sanayi ve Ticaret A.Ş.

Topçular Mah. Tikveşli Yolu No:8 34140 Topçular - Eyüp / İstanbul Tel: 0 (212) 567 55 09 Pbx

Faks: 0 (212) 576 23 45

E-mail: info@karyergroup.com Web: http://www.karyergroup.com/