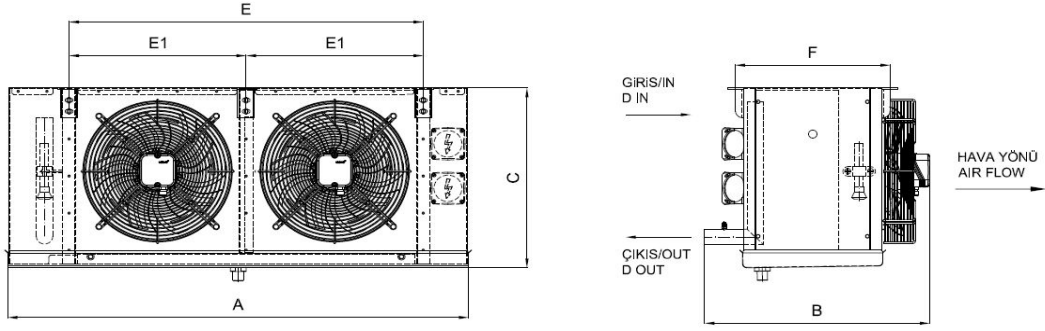


**EA-240AC6-C01**  
**Evaporator**  
**Technical Specifications**



**Dimensions**

A (mm) :	1407	B (mm) :	586	C (mm) :	605	F (mm) :	395	E1 (mm) :	568
E (mm) :	1135	#REF! :	Ø19	#REF! :	Ø28	W (kg) :	59		

**Capacity Information**

Capacity	9,123.00 Watt	Heat Transfer Surface	28,1 m <sup>2</sup>
Average Room Temperature	0.00 °C	Tube Volume	8,5 dm <sup>3</sup>
Evaporasyon Sıcaklığı	-8.00 °C	Fin Spacing	6 mm
ΔT	8 K	Test Pressure / Max. Operating Pressure	35 /25 bar
Refrigerant	R404A	Energy Efficiency Class	C
Altitude	0 m	Air Throw Distance	12.5 m

**Evaporator Fan Data**

Air Flow	6772 m <sup>3</sup> /h	Fan Protection / Isolation Class	IP44 / CLASS F
Number of Fans / Fan Diameter / Fan Cycle	2 / 400 mm / 1430 rpm	Operating Temperature Range	-40/60
Total Fan Power / Current	0.32 kW / 1.46 A	Sound Power Level (LWA)	83 dBA
Fan Voltage / Fan Frequency / Fan Phase	230 Volt / 50 Hz / 1 Ph	Sound Pressure Level (LPA)	61 dBA @ 3 m
fan rankings	1x2		

**Configuration**

**Configuration Name**

**Code**

Cassette Type	RAL 9016 painted Galvanized Sheet	-
Defrost Type	E2 Defrost (Coil + Tray)	4x1200+1x1200 Watt

**Notes.**

- Capacity correction calculation for altitude is according to related Eurovent Standard.
- Sound pressure calculation standard: EN13487
- Energy Efficiency Class calculation standards: EN328 and Related Eurovent Standard. Standard Conditions: SC2,R404A
- All of the technical information is subject to change without notice.
- All of the performance and technical data according to default configuration.

**Karyer Isı Transfer Sanayi ve Ticaret A.Ş.**

Topçular Mah. Tikveşli Yolu No:8 34140 Topçular - Eyüp / İstanbul Tel: 0 (212) 567 55 09 Pbx  
Faks: 0 (212) 576 23 45  
E-mail: info@karyergroup.com Web: http://www.karyergroup.com/