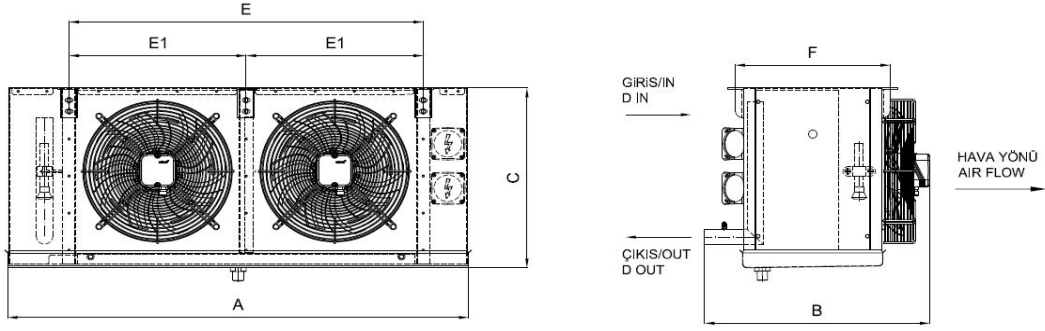


EA-240AG8-C01

Evaporator Technical Specifications



Dimensions

| | | | | | | | | | |
|----------|------|----------|-------|----------|-----|----------|-----|-----------|-----|
| A (mm) : | 1407 | B (mm) : | 686 | C (mm) : | 605 | F (mm) : | 495 | E1 (mm) : | 568 |
| E (mm) : | 1135 | #REF! : | Ø15,9 | #REF! : | Ø35 | W (kg) : | 85 | | |

Capacity Information

| | | | |
|--------------------------|---------------|---|----------------------|
| Capacity | 9,200.00 Watt | Heat Transfer Surface | 43,5 m ² |
| Average Room Temperature | -18.00 °C | Tube Volume | 16,6 dm ³ |
| Evaporasyon Sıcaklığı | -25.00 °C | Fin Spacing | 8 mm |
| ΔT | 7 K | Test Pressure / Max. Operating Pressure | 35 /25 bar |
| Refrigerant | R404A | Energy Efficiency Class | E |
| Altitude | 0 m | Air Throw Distance | 10.9 m |

Evaporator Fan Data

| | | | |
|---|-------------------------|----------------------------------|----------------|
| Air Flow | 5900 m ³ /h | Fan Protection / Isolation Class | IP44 / CLASS F |
| Number of Fans / Fan Diameter / Fan Cycle | 2 / 400 mm / 1430 rpm | Operating Temperature Range | -40/60 |
| Total Fan Power / Current | 0.32 kW / 1.46 A | Sound Power Level (LWA) | 83 dBA |
| Fan Voltage / Fan Frequency / Fan Phase | 230 Volt / 50 Hz / 1 Ph | Sound Pressure Level (LPA) | 61 dBA @ 3 m |
| fan rankings | 1x2 | | |

Configuration

Configuration Name

Code

| | | |
|---------------|-----------------------------------|--------------------|
| Cassette Type | RAL 9016 painted Galvanized Sheet | - |
| Defrost Type | E2 Defrost (Coil + Tray) | 6x1200+2x1200 Watt |

Notes.

- Capacity correction calculation for altitude is according to related Eurovent Standard.
- Sound pressure calculation standard: EN13487
- Energy Efficiency Class calculation standards: EN328 and Related Eurovent Standard. Standard Conditions: SC2,R404A
- All of the technical information is subject to change without notice.
- All of the performance and technical data according to default configuration.

Karyer Isı Transfer Sanayi ve Ticaret A.Ş.

Topçular Mah. Tikveşli Yolu No:8 34140 Topçular - Eyüp / İstanbul Tel: 0 (212) 567 55 09 Pbx

Faks: 0 (212) 576 23 45

E-mail: info@karyergroup.com Web: http://www.karyergroup.com/