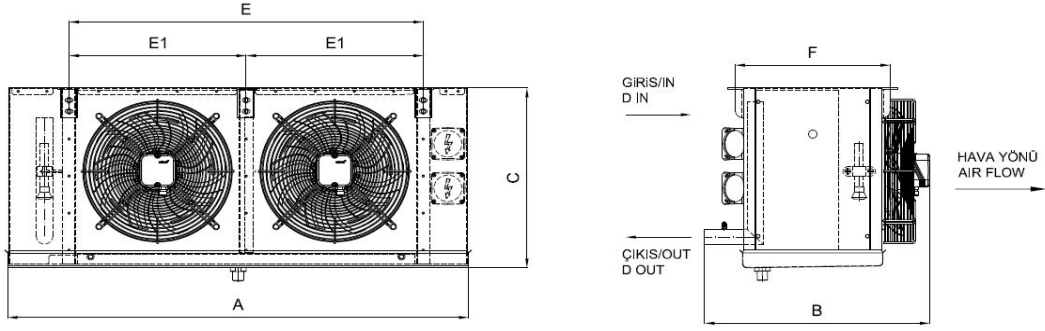


## EA-250AG6-C03

### Evaporator Technical Specifications



#### Dimensions

|          |      |          |     |          |     |          |     |           |     |
|----------|------|----------|-----|----------|-----|----------|-----|-----------|-----|
| A (mm) : | 2007 | B (mm) : | 740 | C (mm) : | 685 | F (mm) : | 545 | E1 (mm) : | 868 |
| E (mm) : | 1735 | #REF! :  | Ø28 | #REF! :  | Ø54 | W (kg) : | 146 |           |     |

#### Capacity Information

|                          |                |   |                      |
|--------------------------|----------------|---|----------------------|
| Capacity                 | 26,756.00 Watt | Heat Transfer Surface                   | 99,3 m <sup>2</sup>  |
| Average Room Temperature | 0.00 °C        | Tube Volume                             | 30,2 dm <sup>3</sup> |
| Evaporasyon Sıcaklığı    | -8.00 °C       | Fin Spacing                             | 6 mm                 |
| ΔT                       | 8 K            | Test Pressure / Max. Operating Pressure | 35 /25 bar           |
| Refrigerant              | R404A          | Energy Efficiency Class                 | D                    |
| Altitude                 | 0 m            | Air Throw Distance                      | 17.4 m               |

#### Evaporator Fan Data

|   |                         |                                  |                |
|---|-------------------------|----------------------------------|----------------|
| Air Flow                                  | 12330 m <sup>3</sup> /h | Fan Protection / Isolation Class | IP54 / CLASS F |
| Number of Fans / Fan Diameter / Fan Cycle | 2 / 500 mm / 1230 rpm   | Operating Temperature Range      | -25/70         |
| Total Fan Power / Current                 | 1.52 kW / 6.6 A         | Sound Power Level (LWA)          | 81 dBA         |
| Fan Voltage / Fan Frequency / Fan Phase   | 230 Volt / 50 Hz / 1 Ph | Sound Pressure Level (LPA)       | 59 dBA @ 3 m   |
| fan rankings                              | 1x2                     |                                  |                |

#### Configuration

#### Configuration Name

#### Code

|               |                                   |                    |
|---------------|-----------------------------------|--------------------|
| Cassette Type | RAL 9016 painted Galvanized Sheet | -                  |
| Defrost Type  | E2 Defrost (Coil + Tray)          | 6x1850+2x1850 Watt |

#### Notes.

- Capacity correction calculation for altitude is according to related Eurovent Standard.
- Sound pressure calculation standard: EN13487
- Energy Efficiency Class calculation standards: EN328 and Related Eurovent Standard. Standard Conditions: SC2,R404A
- All of the technical information is subject to change without notice.
- All of the performance and technical data according to default configuration.

#### Karyer Isı Transfer Sanayi ve Ticaret A.Ş.

Topçular Mah. Tikveşli Yolu No:8 34140 Topçular - Eyüp / İstanbul Tel: 0 (212) 567 55 09 Pbx

Faks: 0 (212) 576 23 45

E-mail: info@karyergroup.com Web: http://www.karyergroup.com/