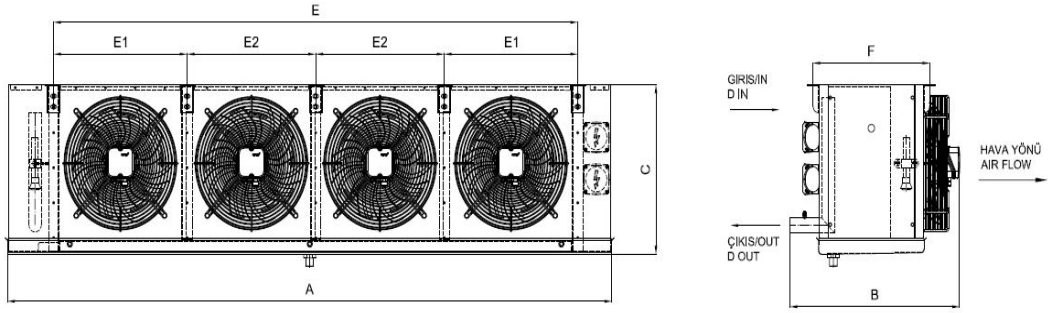


EA-450AC6-C02 Δ

Evaporator Technical Specifications



Dimensions

A (mm) :	3707	B (mm) :	590	C (mm) :	715	F (mm) :	510	E1 (mm) :	868
E2 (mm) :	850	E (mm) :	3435	#REF! :	Ø35	#REF! :	Ø54	W (kg) :	179

Capacity Information

Capacity	36,304.00 Watt	Heat Transfer Surface	99,3 m ²
Average Room Temperature	0.00 °C	Tube Volume	30,4 dm ³
Evaporasyon Sıcaklığı	-8.00 °C	Fin Spacing	6 mm
ΔT	8 K	Test Pressure / Max. Operating Pressure	35 / 25 bar
Refrigerant	R404A	Energy Efficiency Class	E
Altitude	0 m	Air Throw Distance	24.0 m

Evaporator Fan Data

Air Flow	31127 m ³ /h	Fan Protection / Isolation Class	IP54 / CLASS F
Number of Fans / Fan Diameter / Fan Cycle	4 / 500 mm / 1340 rpm	Operating Temperature Range	-40/70
Total Fan Power / Current	3.36 kW / 5.8 A	Sound Power Level (LWA)	86 dBA
Fan Voltage / Fan Frequency / Fan Phase	400 Volt / 50 Hz / 3 Ph	Sound Pressure Level (LPA)	64 dBA @ 3 m
fan rankings	1x4		

Configuration

Configuration Name

Code

Cassette Type	RAL 9016 painted Galvanized Sheet	-
Defrost Type	E2 Defrost (Coil + Tray)	4x3500+1x3500 Watt

Notes.

- Capacity correction calculation for altitude is according to related Eurovent Standard.
- Sound pressure calculation standard: EN13487
- Energy Efficiency Class calculation standards: EN328 and Related Eurovent Standard. Standard Conditions: SC2,R404A
- All of the technical information is subject to change without notice.
- All of the performance and technical data according to default configuration.

Karyer Isı Transfer Sanayi ve Ticaret A.Ş.

Topçular Mah. Tikveşli Yolu No:8 34140 Topçular - Eyüp / İstanbul Tel: 0 (212) 567 55 09 Pbx

Faks: 0 (212) 576 23 45

E-mail: info@karyergroup.com Web: http://www.karyergroup.com/