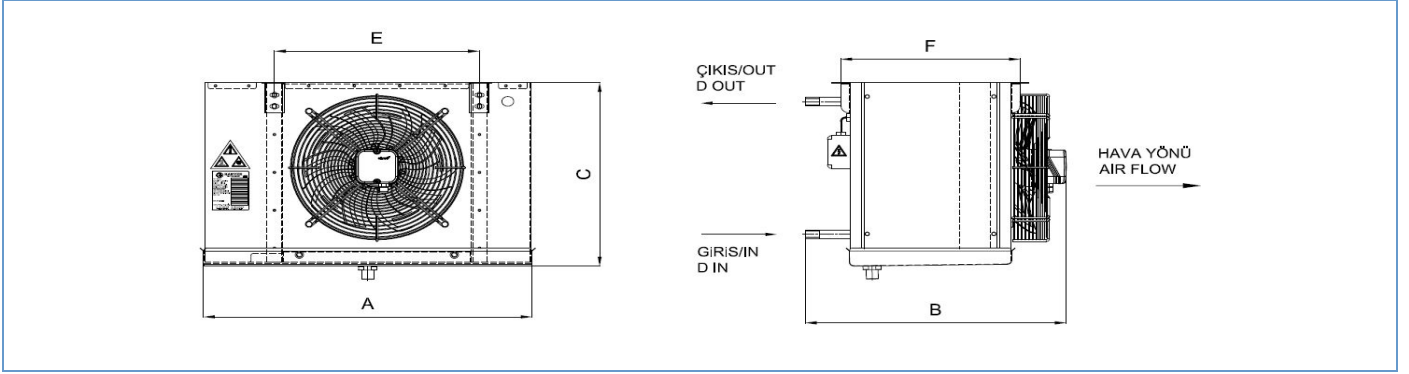


EA-G-163FG10-A02

Su Glikollü Soğutucu Technical Specifications



Dimensions

A (mm) :	1415	B (mm) :	1100	C (mm) :	1190	F (mm) :	1060
E (mm) :	5235	#REF! :	1x42.4 [1 1/4"]	#REF! :	1x42.4 [1 1/4"]	W (kg) :	146

Capacity Information

Capacity	26,080.80 Watt	Heat Transfer Surface	81.22 m ²
Likit	Su / %0	Tube Volume	31.77 dm ³
Air Inlet Temperature / Nemi	16.00 °C / 70 %	Fin Spacing	10 mm
Hava Çıkış Sıcaklığı / Nemi	10.29 °C / 93.55 %	Fin Material	Aluminum
Likit Giriş / Çıkış Sıcaklığı	4.00 / 8.00 °C	Boru Malzemesi	Copper
Likit Debisi / Kütleli Debi	5.55 m ³ / h / 5544 kg/h	Energy Efficiency Class	E
Pass Sayısı / Basınç Kaybı	20 / 32.68 kPa	Altitude	0 m

Fan Specifications

Air Flow	10,383.45 m ³ /h	Sound Power Level (LWA)	103 dBA
Fan Diameter	Ø 630 mm	Sound Pressure Level (LPA)	81 dBA
Number of Fan	1 Pcs	Distance	3 m
Total Fan Power	1.1 kW	Insulation Class	CLASS F
Total Fan Current	2.2 A	Protection Class	IP54
Voltage / Frequency / Phase	400 V / 50 Hz / 3 Phase	Temperature Range	-40/60 °C
Fan Speed	1300 rpm		

Configuration

Configuration Name

Code

Cassette Type	RAL 9016 painted Galvanized Sheet	-
Defrost Type	E2 Defrost (Coil + Tray)	12x1070+2x1070 Watt

Notes.

- Sound pressure calculation standard: EN13487
- All of the technical information is subject to change without notice.
- All of the performance and technical data according to default configuration.

Karyer Isı Transfer Sanayi ve Ticaret A.Ş.

Topçular Mah. Tikveşli Yolu No:8 34140 Topçular - Eyüp / İstanbul Tel: 0 (212) 567 55 09
Pbx
Faks: 0 (212) 576 23 45
E-mail: info@karyergroup.com Web: http://www.karyergroup.com/