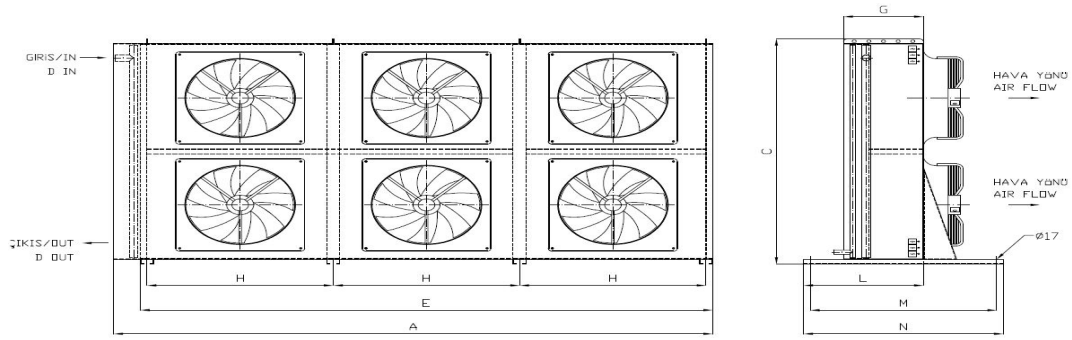


KA-t-2x391LC1-B06 Δ

Condenser Technical Specifications



Dimensions

| | | | | | | | | | |
|----------|------|----------|-------|----------|-------|----------|------|----------|------|
| A (mm) : | 5550 | C (mm) : | 2310 | G (mm) : | 450 | E (mm) : | 5350 | H (mm) : | 1750 |
| L (mm) : | 650 | #REF! : | 2xØ54 | #REF! : | 2xØ54 | M (mm) : | 1155 | N (mm) : | 1255 |
| W (kg) : | 1106 | | | | | | | | |

Capacity Information

| | | | |
|--------------------------|-----------------|---|-----------------------|
| Capacity | 625,751.00 Watt | Heat Transfer Surface | 1071,6 m ² |
| Ambient Temperature | 25.00 °C | Tube Volume | 118,3 dm ³ |
| Condensation Temperature | 40.00 °C | Fin Spacing | 2.1 mm |
| ΔT | 15 K | Test Pressure / Max. Operating Pressure | 35 / 27 bar |
| Refrigerant | R404A | Energy Efficiency Class | D |
| Altitude | 0 m | | |

Evaporator Fan Data

| | | | |
|---|--------------------------|----------------------------------|----------------|
| Air Flow | 151781 m ³ /h | Fan Protection / Isolation Class | IP54 / CLASS F |
| Number of Fans / Fan Diameter / Fan Cycle | 6 / 910 mm / 840 rpm | Operating Temperature Range | -40/70 |
| Total Fan Power / Current | 16.8 kW / 32.4 A | Sound Power Level (LWA) | 98 dBA |
| Fan Voltage / Fan Frequency / Fan Phase | 400 Volt / 50 Hz / 3 Ph | Sound Pressure Level (LPA) | 86 dBA @ 1 m |
| fan rankings | 2x3 | | |

Configuration

Configuration Name

Code

| | | |
|---------------|-----------------------------------|---|
| Cassette Type | RAL 9016 painted Galvanized Sheet | - |
|---------------|-----------------------------------|---|

Notes.

- Capacity correction calculation for altitude is according to related Eurovent Standard.
- Sound pressure calculation standard: EN13487
- Energy Efficiency Class calculation standards: EN327 and Related Eurovent Standard. Standard Conditions: Tair inlet=25 °C, Tcond.= 40 °C, R404A, P= 1,01325 bar.
- All of the technical information is subject to change without notice.
- All of the performance and technical data according to default configuration.

Karyer Isı Transfer Sanayi ve Ticaret A.Ş.

Topçular Mah. Tikveşli Yolu No:8 34140 Topçular - Eyüp / İstanbul Tel: 0 (212) 567 55 09 Pbx
Faks: 0 (212) 576 23 45

E-mail: info@karyergroup.com Web: http://www.karyergroup.com/