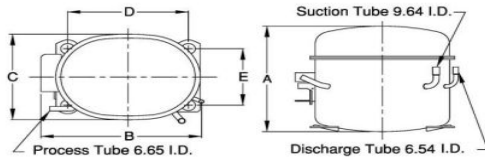


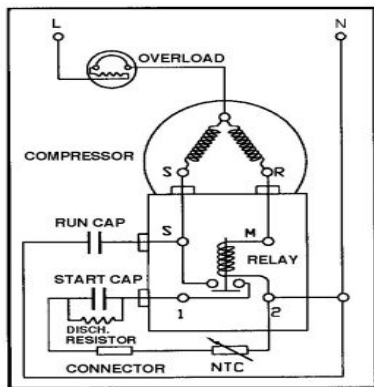


PRINCIPAL DIMENSIONS - mm



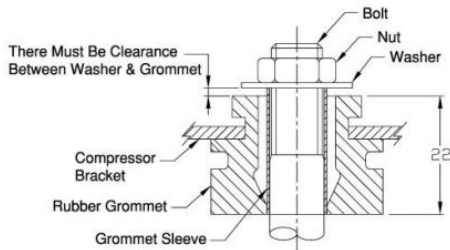
A: 216	B: 216	C: 155	D: 165	E: 102
--------	--------	--------	--------	--------

SCHEMATIC WIRING DIAGRAM C.S.R.



SCHEMATIC WIRING DIAGRAM -

MOUNTING KIT



Electrical : 220-240 V/50 Hz. 1 Phase

Nominal Performance

Capacity	1,450 / - Watts
	4,947 / - BTU/Hr
	1,247 / - Kcal/Hr
Power Input	660 / - Watts
Locked Rotor Amps	15.70 / - Amps
Max Continuous Current	- / - Amps
Rated Load Amps	3.00 / - Amps
COP	2.20 / - Watts / Watts
EER	7.50 / - BTU/W-Hr

Testing Conditions

Condensing Temperature	54.40 °C	129.9 °F
Evaporating Temperature	7.20 / - °C	45.0 / - °F
Liquid Temperature	46.10 °C	115.0 °F
Return Gas Temperature	35.00 °C	95.0 °F
Ambient Temperature	35.00 °C	95.0 °F

Application

Evaporating Temp. Range	HBP	@ -6.70 ° C to 12.70 ° C (19.9° F to 54.9° F)
	Heat Pump	- ° C to - ° C (-° F to -° F)
Refrigerant	R134a	
Refrigerant Flow Control	Capillary Tube	
Compressor Cooling	Fan	

Compressor and Motor data

Compressor Type	Reciprocating
Displacement	16.08 cc.
Oil Type	Polyolester Oil
Oil Charge	480 cc.
Motor Type	C.S.R. ; 2 Pole 2,880 / - r/m
Voltage Range	187 - 264/- Volts 50/- Hz.
Winding Resistance at 25 ° C	
Start	12.77 Ohms
Run	4.30 Ohms
Weight with Oil	11.98 Kg.
Weight with Oil and Accessories	12.38 Kg.

Electrical Components

Motor Protector

Type	External 3/4"
Model Number	KME 664-4/C
Open / Close	100-110 / 78-60 ° C
1st Cycle trip at 25 ° C	- Amps(main) 13.50 Amps(start)

Motor Starter

Type	Current Relay
Model Number	KME 682-21NT
Pick Up (max.)	11.80 Amps
Drop Out (min.)	10.50 Amps
Terminal Cover	KMD 901-12
Start Capacitor	36-43 µF 330 VAC.
Disch Resistor for Start Cap	15000 Ohms 2 W
Run Capacitor	15 µF 440 VAC.

Mounting Kit

Rubber Grommet	KMD 905-3
Sleeve Grommet	KMD 903-2
Washer	KEB 387

Since we are constantly improving our product , the specification are subject to change without notice.

REV. DATE	C / N No.
16-12-09	0650/09

Certificate Marks

COMPRESSOR PERFORMANCE TABLE